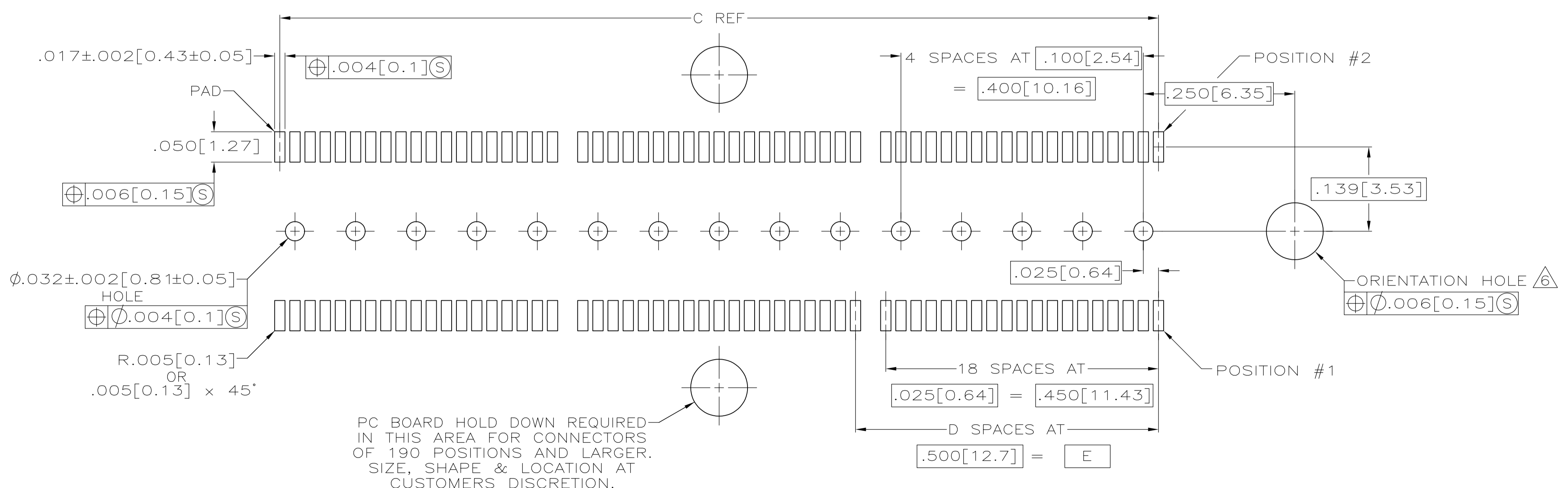
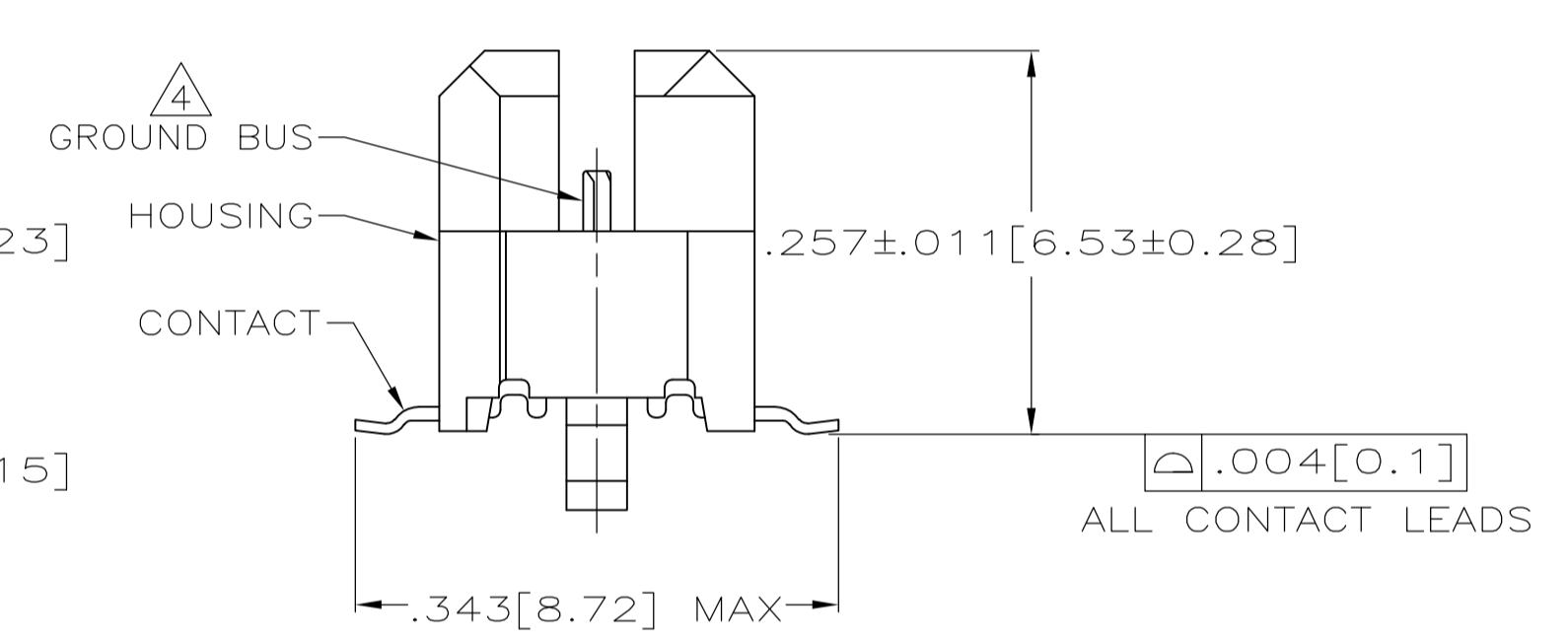
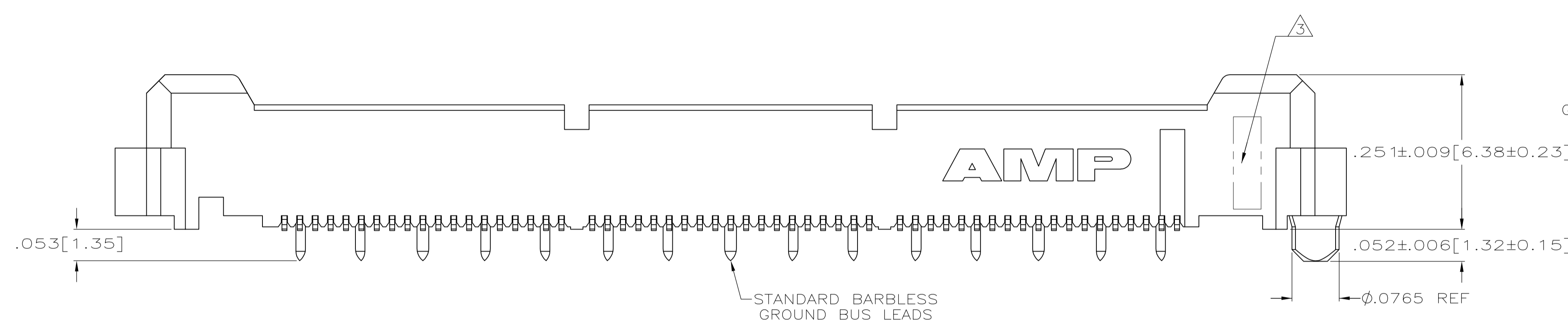


- 1 HOUSING: LIQUID CRYSTAL POLYMER, COLOR BLACK. CONTACTS: HIGH RELIABILITY COPPER ALLOY. GROUND BUSES: BRASS, UNS C26000.
- 2 CONTACTS & GROUND BUSES: NICKEL UNDERPLATE ALL OVER, MATING SURFACE PLATED TO MEET LEVEL 1 PERFORMANCE REQUIREMENTS OF TE PRODUCT SPECIFICATION 108-1422, SOLDER TAILS PLATED MATTE TIN.
- 3 DATE CODE MARKED IN AREA INDICATED ON SIDE OPPOSITE POSITION #1.
- 4 ONE GROUND BUS WITH 5 TAILS PER EACH MODULE.
- 5 TOLERANCE NON-ACCUMULATIVE.
- 6 FOR STANDARD APPLICATIONS, ORIENTATION HOLE TO BE $\phi .094 \pm .002 [2.39 \pm 0.05]$ FOR SLIP-FIT APPLICATIONS, ORIENTATION HOLE TO BE $\phi .079 \pm .001 [2.00 \pm 0.03]$



PC BOARD HOLD DOWN REQUIRED IN THIS AREA FOR CONNECTORS OF 190 POSITIONS AND LARGER. SIZE, SHAPE & LOCATION AT CUSTOMERS DISCRETION.

RECOMMENDED PC BOARD LAYOUT (VIEWED FROM CONNECTOR SIDE)

| | | | | | | | |
|-------------|--------------|---|---------------|---------------|---------------|-----------|-------------|
| 4.724 [120] | 3.000 [76.2] | 6 | 3.450 [87.63] | 3.898 [99.01] | 4.000 [101.6] | 266 | 5767116-7 |
| 4.094 [104] | 2.500 [63.5] | 5 | 2.950 [74.93] | 3.398 [86.31] | 3.500 [88.9] | 228 | 5767116-6 |
| 3.465 [88] | 2.000 [50.8] | 4 | 2.450 [62.23] | 2.898 [73.61] | 3.000 [76.2] | 190 | 5767116-5 |
| 3.465 [88] | 1.500 [38.1] | 3 | 1.950 [49.53] | 2.398 [60.91] | 2.500 [63.5] | 152 | 5767116-4 |
| 2.835 [72] | 1.000 [25.4] | 2 | 1.450 [36.83] | 1.898 [48.21] | 2.000 [50.8] | 114 | 5767116-3 |
| 2.205 [56] | .500 [12.7] | 1 | .950 [24.13] | 1.398 [35.51] | 1.500 [38.1] | 76 | 5767116-2 |
| 1.732 [44] | .000 [0] | 0 | .450 [11.43] | .898 [22.81] | 1.000 [25.4] | 38 | 5767116-1 |
| F | E | D | C | B | A | NO OF POS | PART NUMBER |

THIS DRAWING IS A CONTROLLED DOCUMENT.

| | | | |
|--------------------|----------------------------------------|------------------------------|--------------------------------------------------------------------------------|
| DIMENSIONS: INCHES | TOLERANCES UNLESS OTHERWISE SPECIFIED: | APPROVED: D. DIXON 27 OCT 04 | NAME: PLUG ASSEMBLY, .260[6.6] VERTICAL, .025[0.64]CL, GULL WING LEADS, MICTOR |
| 0 PLC ± - | 1 PLC ± - | 2 PLC ± - | 3 PLC ± - |
| 4 PLC ± - | ANGLES ± - | SIZE: 114-11004 | RESTRICTED TO: - |
| MATERIAL: 1 | FINISH: 2 | WEIGHT: - | SCALE: 1:1 |

CUSTOMER DRAWING
 DATE: 27 OCT 04
 DRAWING NO: 5767116
 SHEET 1 OF 1
 REV A1