

PART NUMBER	REV	TERMINATOR	FEED TYPE	DESCRIPTION
1528636-1	A	LEADMAKER	MECH POST FEED	CUTS CARRIER
1528636-2	A	BENCH	MECH PRE FEED	CUTS CARRIER
1528636-6	A	LEADMAKER	MECH POST FEED	CONTINUOUS CARRIER
7-1528636-1	A	LEADMAKER	MECH POST FEED	-1 AND SPARE PARTS
7-1528636-2	A	BENCH	MECH PRE FEED	-2 AND SPARE PARTS
7-1528636-6	A	LEADMAKER	MECH POST FEED	-6 AND SPARE PARTS
7-1528636-7	A	-	-	SPARE PARTS KIT

CRIMP DATA     SUMITOMO TERMINAL     TYCO CRIMP SPEC 5 7

TERMINAL NAME: SUMITOMO RECEPTACLE

CRIMP	SIZE	TYPE	RANGE
WIRE	1.40 [1.055 IN]	F	0.35-0.50mm <sup>2</sup>
INSUL	1.78 [1.070 IN]	O	1.20-1.60 [1.047-1.063 IN] <span style="border: 1px solid black; padding: 2px;">5</span>

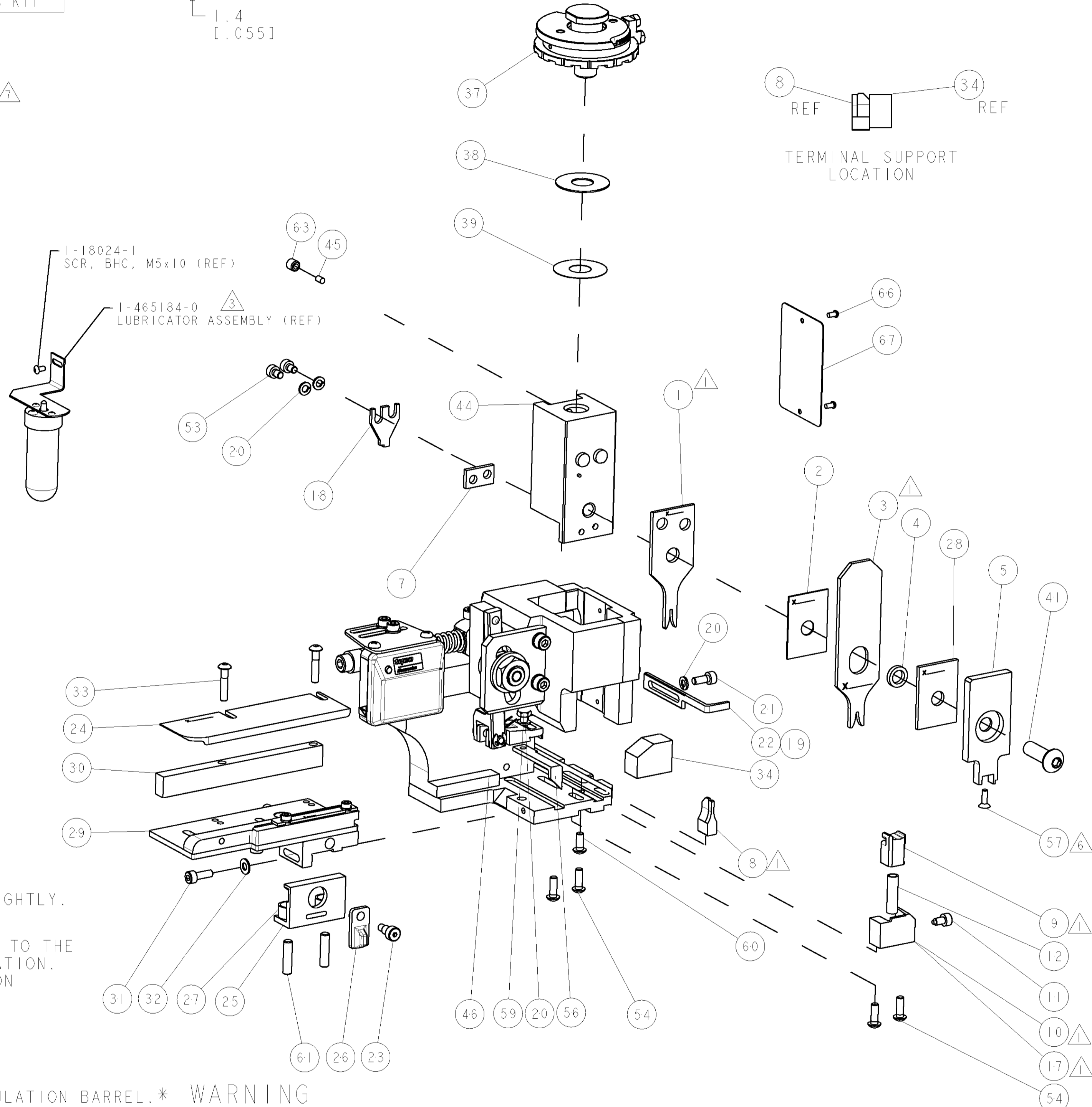
WIRE STRIP LENGTH 3.20-4.00 [1.126-1.157 IN]     APPL INSTRUCTIONS 408-8322 & 408-8490 5

TERMINAL APPL SPEC	TERMINAL NONE	FEED
-	-	9.00 [1.354 IN]

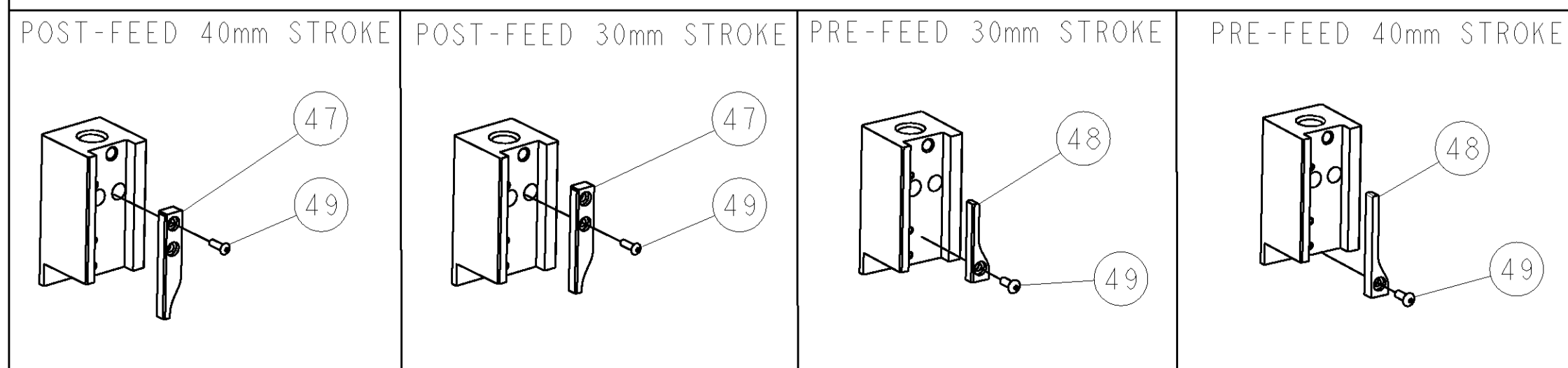
TERMINALS APPLIED

TYCO TERM PN	MANUF TERM PN	TYCO SEAL PN	MANUF SEAL PN
1949006-1	8100-2924	1949007-1	3B0 972 742 D
-	-	1949007-2	3B0 972 742 E

WIRE SIZE	CRIMP HEIGHT	REF SETTING
0.50 mm <sup>2</sup>	0.86 ±0.05 [1.034 ±.002 IN]	C 4
0.35 mm <sup>2</sup>	0.79 ±0.05 [1.031 ±.002 IN]	C 8



VIEW B ROTATED 180°



-77	-76	-72	-71	-6	-2	-1	PART NO	DESCRIPTION	ITEM NO
-	-	-	-	-	-	-	-	-	83
-	-	-	-	-	-	-	-	-	82
-	-	-	-	-	-	-	-	-	81
-	-	-	-	-	-	-	-	-	80
-	-	-	-	-	-	-	-	-	79
-	-	-	-	-	-	-	-	-	78
-	-	-	-	-	-	-	-	-	77
-	-	-	-	-	-	-	-	-	76
-	-	-	-	-	-	-	-	-	75
-	-	-	-	-	-	-	-	-	74

SET UP GAGE 458637-3

LOC	DIST	REV	DESCRIPTION	DATE	BY	APP'D
A	66		SEE ECO-06-010417	03MAY2006	LJL	MC

-	-	-	-	-	-	-	-	-	73
-	-	-	-	-	-	-	-	-	72
-	1	1	1	1	1	1	1338705-3	DOCUMENTATION PACKAGE	71
-	-	-	-	-	-	-	-	-	70
-	-	-	-	-	-	-	-	-	69
-	-	-	-	-	-	-	-	-	68
-	1	1	1	1	1	1	461264-5	PLATE, IDENTIFICATION	67
-	2	2	2	2	2	2	21017-2	SCREW, DRIVE	66
-	-	-	-	-	-	-	-	-	65
-	-	-	-	-	-	-	-	-	64
-	1	1	1	1	1	1	3-18031-0	SCR, SET, CUP POINT M6 X 6.0	63
-	-	-	-	-	-	-	-	-	62
-	2	2	2	2	2	2	2-18032-5	SCR, SET, FLT POINT M5 X 20.0	61
-	1	1	1	1	1	1	18024-7	SCR, BTN SKT HD CAP (M4 X 10.0)	60
-	1	1	1	1	1	1	5-18022-2	SCR, HEX HD CAP M4 X 8.0	59
-	-	-	-	-	-	-	-	-	58
-	1	1	1	1	1	1	985575-3	SCR, FLT SKT HD CAP M3 X 10.0	57
-	1	1	1	1	1	1	1338685-1	PAWL, FEED	56
-	-	-	-	-	-	-	-	-	55
-	4	4	4	4	4	4	18024-8	SCR, BTN SKT HD CAP (M4 X 12.0)	54
-	2	2	2	2	2	2	18023-9	SCR, SKT HD CAP M4 X 6.0	53
-	-	-	-	-	-	-	-	-	52
-	-	-	-	-	-	-	-	-	51
-	-	-	-	-	-	-	-	-	50
-	1	1	1	1	1	1	18024-3	SCR, BTN SKT HD CAP (M3 X 10.0)	49
-	1	1	1	1	1	1	1338675-1	CAM, UNIVERSAL PRE FEED	48
-	1	1	1	1	1	1	1338676-1	CAM, UNIVERSAL POST-FEED	47
-	1	1	1	1	1	1	1320999-3	APPLICATOR SUBASSEMBLY, HDI	46
-	1	1	1	1	1	1	690191-1	PLUG, NYLON	45
-	1	1	1	1	1	1	1338660-1	RAM	44
-	-	-	-	-	-	-	-	-	43
-	-	-	-	-	-	-	-	-	42
-	1	1	1	1	1	1	2-18024-6	SCR, BTN SKT HD CAP (M8 X 25.0)	41
-	-	-	-	-	-	-	-	-	40
-	1	1	1	1	1	1	690125-1	SHIM SUB-ASSY	39
-	1	1	1	1	1	1	469367-8	SHIM	38
-	1	1	1	1	1	1	879103-2	DISC, ADJUSTABLE GEITNER	37
-	-	-	-	-	-	-	-	-	36
-	-	-	-	-	-	-	-	-	35
-	1	1	1	1	1	1	1320934-6	SUPPORT, TERMINAL	34
-	2	2	2	2	2	2	1-18024-0	SCR, BTN SKT HD CAP (M4 X 20.0)	33
-	1	1	1	1	1	1	18027-2	WASHER, FLAT, REG M4	32
-	1	1	1	1	1	1	1-18023-2	SCR, SKT HD CAP M4 X 12.0	31
-	1	1	1	1	1	1	1320908-1	SPACER, STRIP GUIDE	30
-	1	1	1	1	1	1	1633073-1	STRIP GUIDE ASSEMBLY	29
-	1	1	1	1	1	1	2-455888-0	SPACER, CRIMPER	28
-	2	2	2	2	2	2	1-22284-0	SPRING, COMPRESSION	27
-	1	1	1	1	1	1	356835-1	LEVER, DRAG RELEASE	26
-	1	1	1	1	1	1	240792-1	DRAG, TERMINAL	25
-	1	1	1	1	1	1	1320928-1	PLATE, STRIP GUIDE	24
-	1	1	1	1	1	1	980371-4	SCR, SKT HD SHLDR 5.0 DIA X 6.0	23
-	1	1	1	1	1	1	690472-2	STRIPPER	22
-	1	1	1	1	1	1	1-18023-1	SCR, SKT HD CAP M4 X 10.0	21
-	4	4	4	4	4	4	18025-2	WASHER, SPRG LOCK, REG M4	20
-	1	1	1	1	1	1	690472-1	STRIPPER	19
-	1	1	1	1	1	1	879657-2	HOLD DOWN	18
-	1	1	1	1	1	1	1338684-2	HOLDER, SHEAR, NO-CUT	17
-	-	-	-	-	-	-	-	-	16
-	-	-	-	-	-	-	-	-	15
-	-	-	-	-	-	-	-	-	14
-	-	-	-	-	-	-	-	-	13
-	1	1	1	1	1	1	3-22280-3	SPRING, COMPRESSION	12
-	1	1	1	1	1	1	356885-5	STOP, SHEAR	11
-	1	1	1	1	1	1	1-1320921-0	SHEAR HOLDER, FRONT, CUT	10
-	1	1	1	1	1	1	318707-7	FLOATING SHEAR, FRONT	9
1	2	2	2	1	1	1	1633128-6	ANVIL, COMBINATION .055	8
-	1	1	1	1	1	1	4-240641-0	SPACER	7
-	-	-	-	-	-	-	-	-	6
-	1	1	1	1	1	1	1338680-5	DEPRESSOR, SHEAR	5
-	1	1	1	1	1	1	238011-4	BLOCK, CRIMPER SPACER	4
1	2	2	2	1	1	1	7-1583690-0	CRIMPER, INSUL O	3
-	1	1	1	1	1	1	455888-6	SPACER, CRIMPER	2
1	2	2	2	1	1	1	456402-1	CRIMPER, WIRE PREMIUM	1

DIMENSIONS: mm [IN] 	TOLERANCES UNLESS OTHERWISE SPECIFIED: 0 PLC ± 1 PLC ± 2 PLC ± 3 PLC ± 4 PLC ± ANGLES ±	DWG: J. LOFTHOUSE 30MAR06 CHK: M. CLIFFEORD 30MAR06 APVD: M. CLIFFEORD 30MAR06 PRODUCT SPEC: FINE ADJUST SIDE FEED HDI APPLICATOR APPLICATION SPEC: See Table WEIGHT: A MATERIAL: -	Tyco Electronics Harrisburg, PA 17105-3608 <b>FINE ADJUST SIDE FEED HDI APPLICATOR</b> SIZE: CAGE CODE: DRAWING NO: 00779 ©=1528636 SCALE: 3:5 SHEET 1 OF 1 REV A
----------------------------	---	---	---