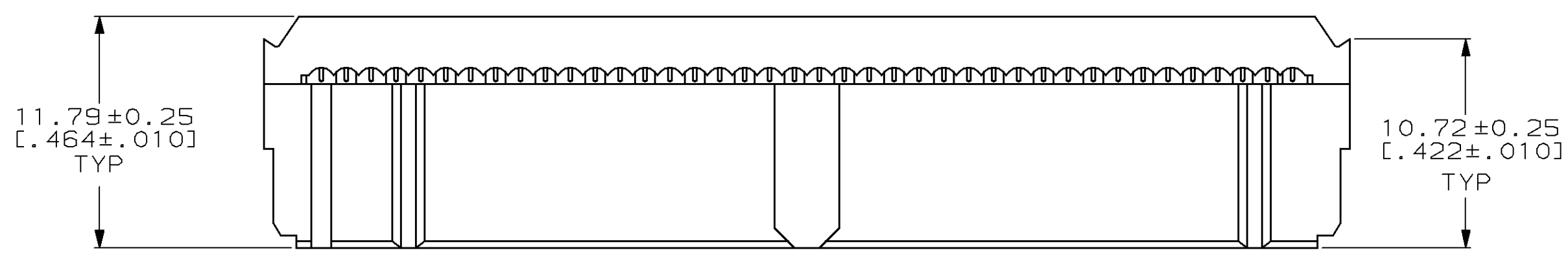
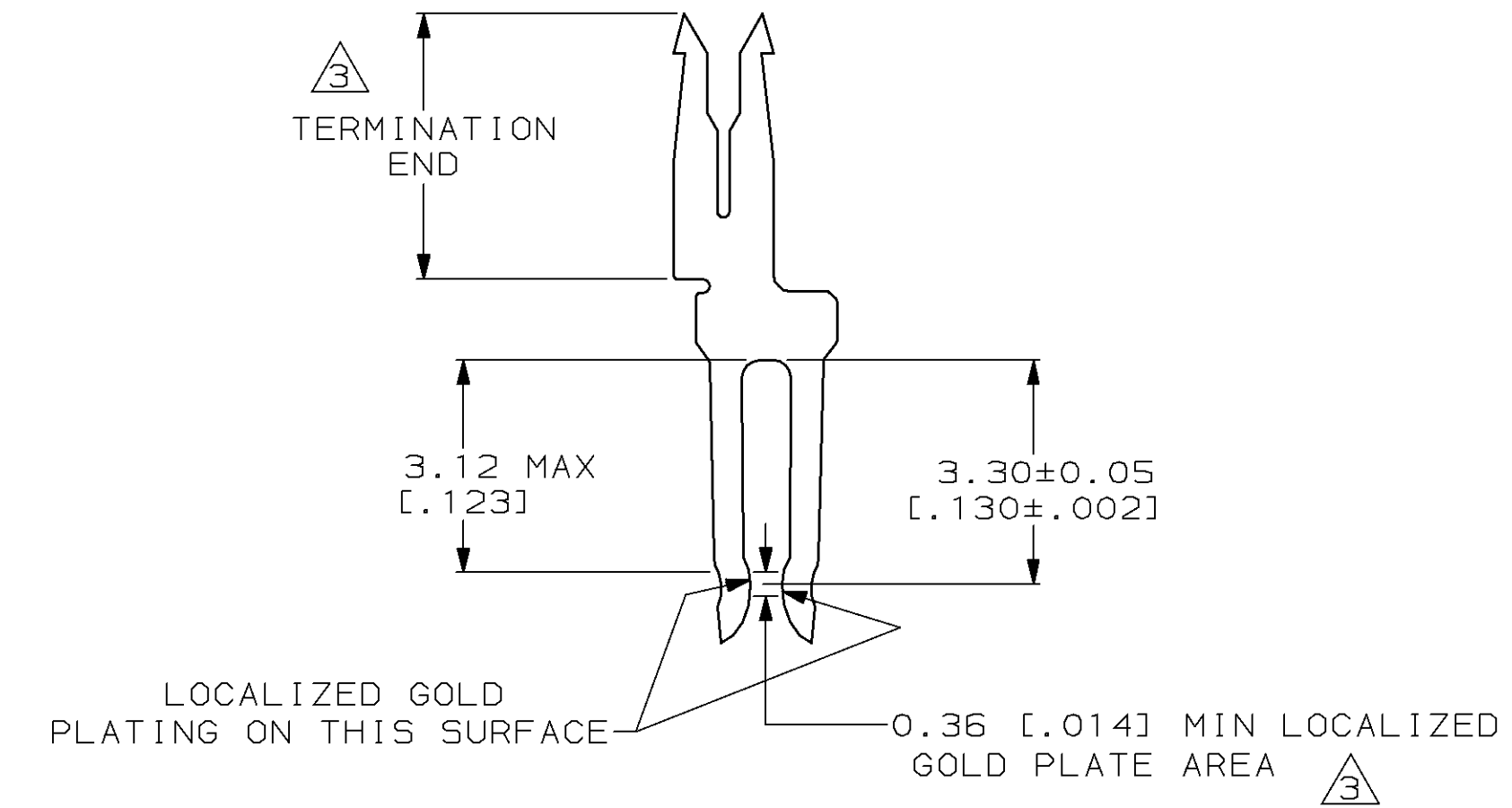


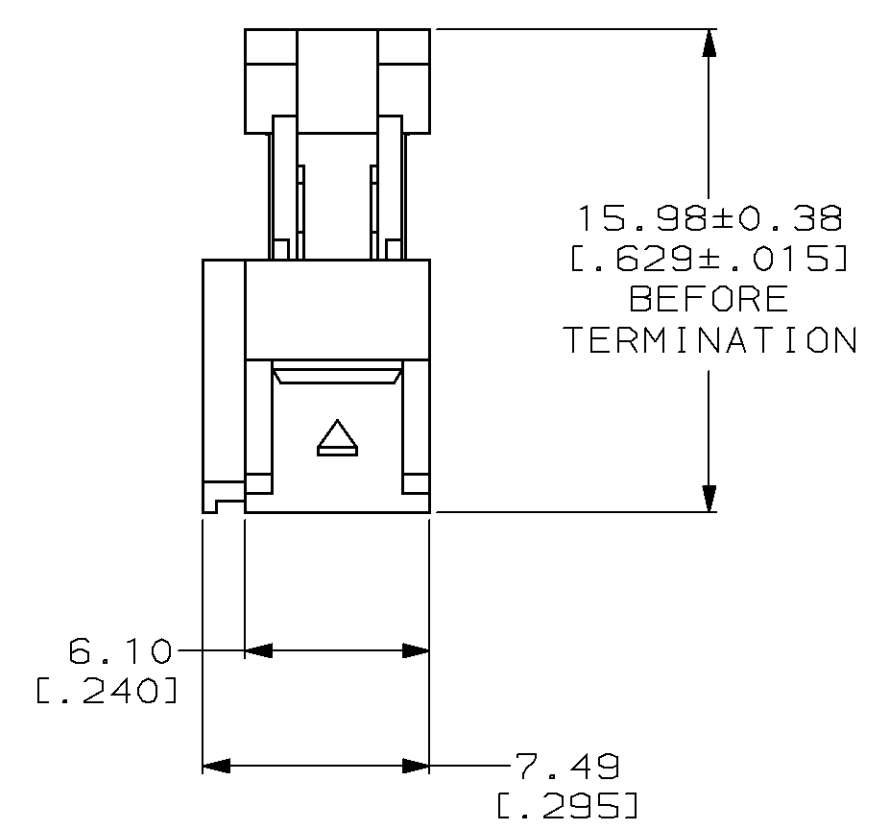
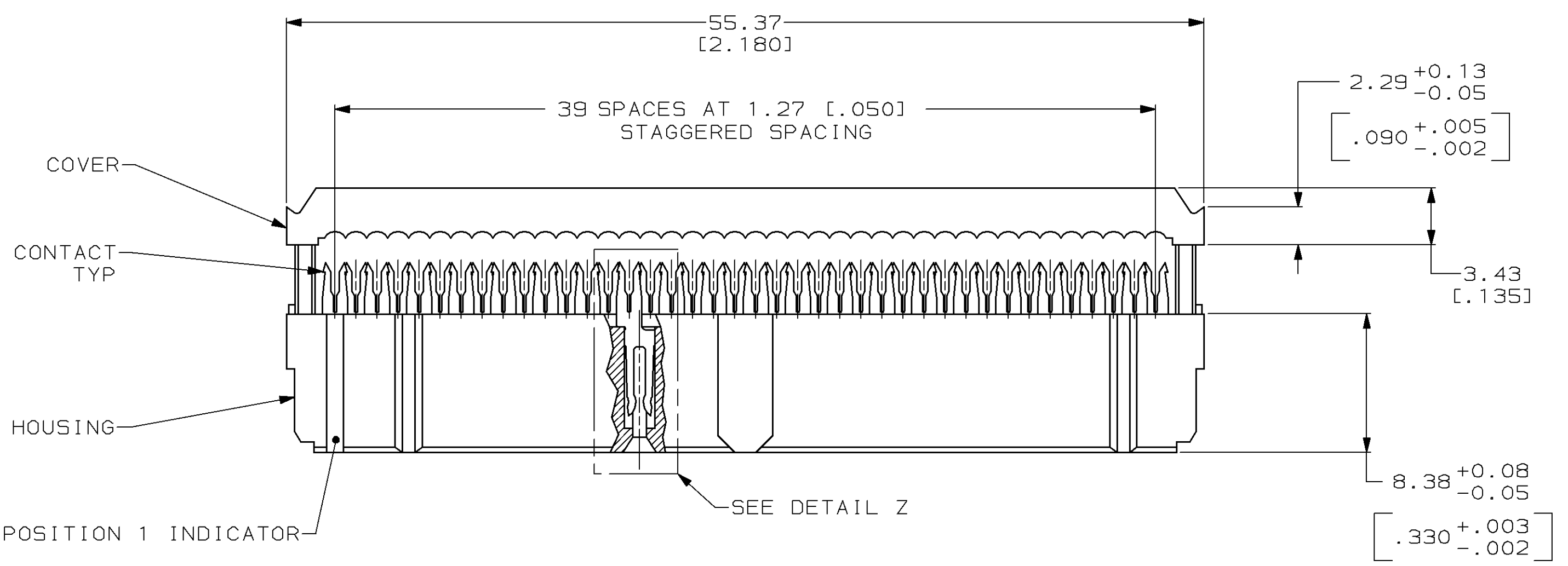
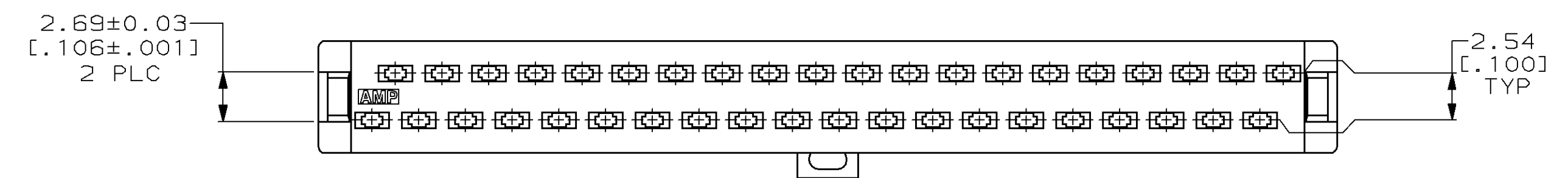
LOC		DIST		REVISIONS			
AR	35	P	LTR	DESCRIPTION	DATE	OWN	APVD
		0		RELEASED PER NPR 5565	08 JUL 96	-	-



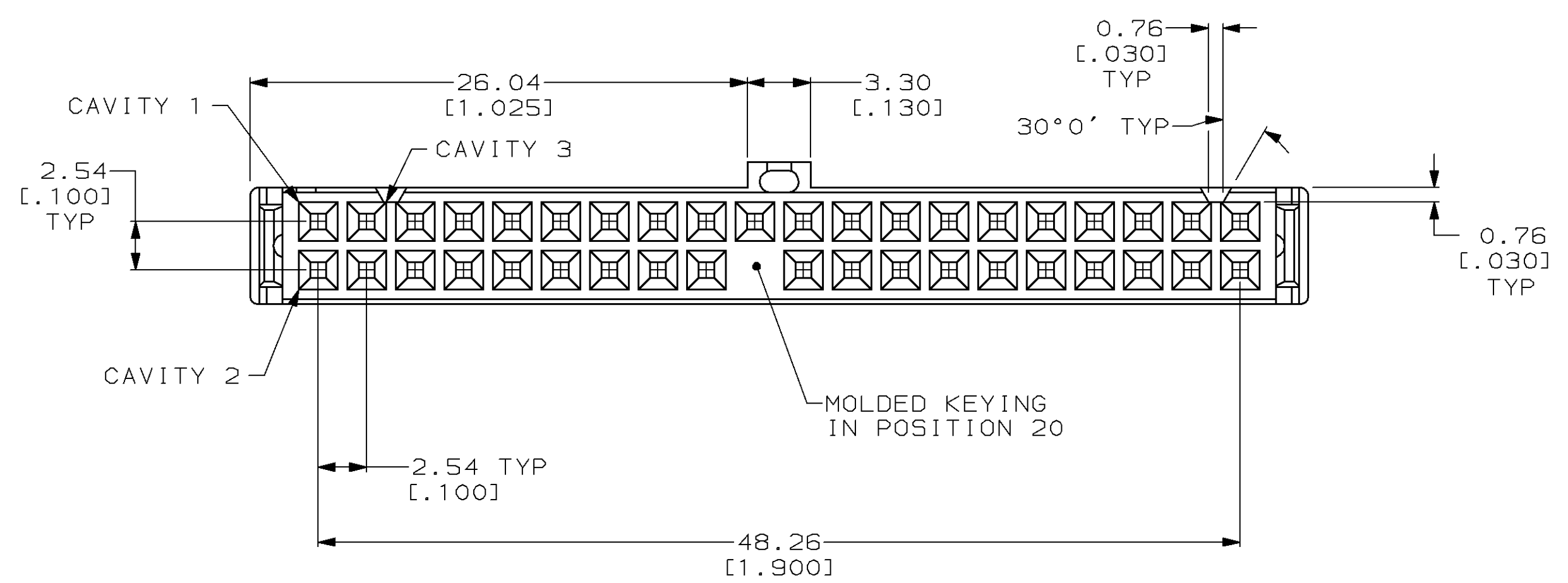
TERMINATED VIEW



DETAIL Z
SCALE 10:1
TYPICAL



- △ POLYESTER, BLACK, UL RATED 94V-0.
- △ PHOSPHOR BRONZE PER QQ-B-750.
- △ 0.38μm [.000015] MIN GOLD ON LOCALIZED GOLD PLATE AREA, 2.54μm [.000100] MIN TIN-LEAD ON TERMINATION END, ALL OVER 1.27μm [.000050] MIN NICKEL ON ENTIRE CONTACT.
- 4. PACKAGED ON TAPE.



40	111983-1
NO OF POSN	PART NUMBER

THIS DRAWING IS A CONTROLLED DOCUMENT.		DWN C. REIFSNYDER 08 JUL 96		AMP Incorporated	
DIMENSIONS: mm (INCHES)		CHK J. HAVENER 06 SEP 96		Harrisburg, PA 17105-3508	
TOLERANCES UNLESS OTHERWISE SPECIFIED:		APVD G. BELL 11 SEP 96		NAME RECEPTACLE KIT, FULL COVER, CENTER & MILITARY POLARIZATION, NOVO, AMP-LATCH	
0 PLC ±-		PRODUCT SPEC		SIZE A1	
1 PLC ±-		108-40000		CAGE CODE 00779	
2 PLC ±0.13 (.005)		APPLICATION SPEC		DRAWING NO C-111983	
3 PLC ±-		114-40005		SCALE 4:1	
4 PLC ±-		WEIGHT -		SHEET 1 OF 1	
ANGLES ±-		CUSTOMER DRAWING		REV 0	
FINISH					
CONTACTS: △					