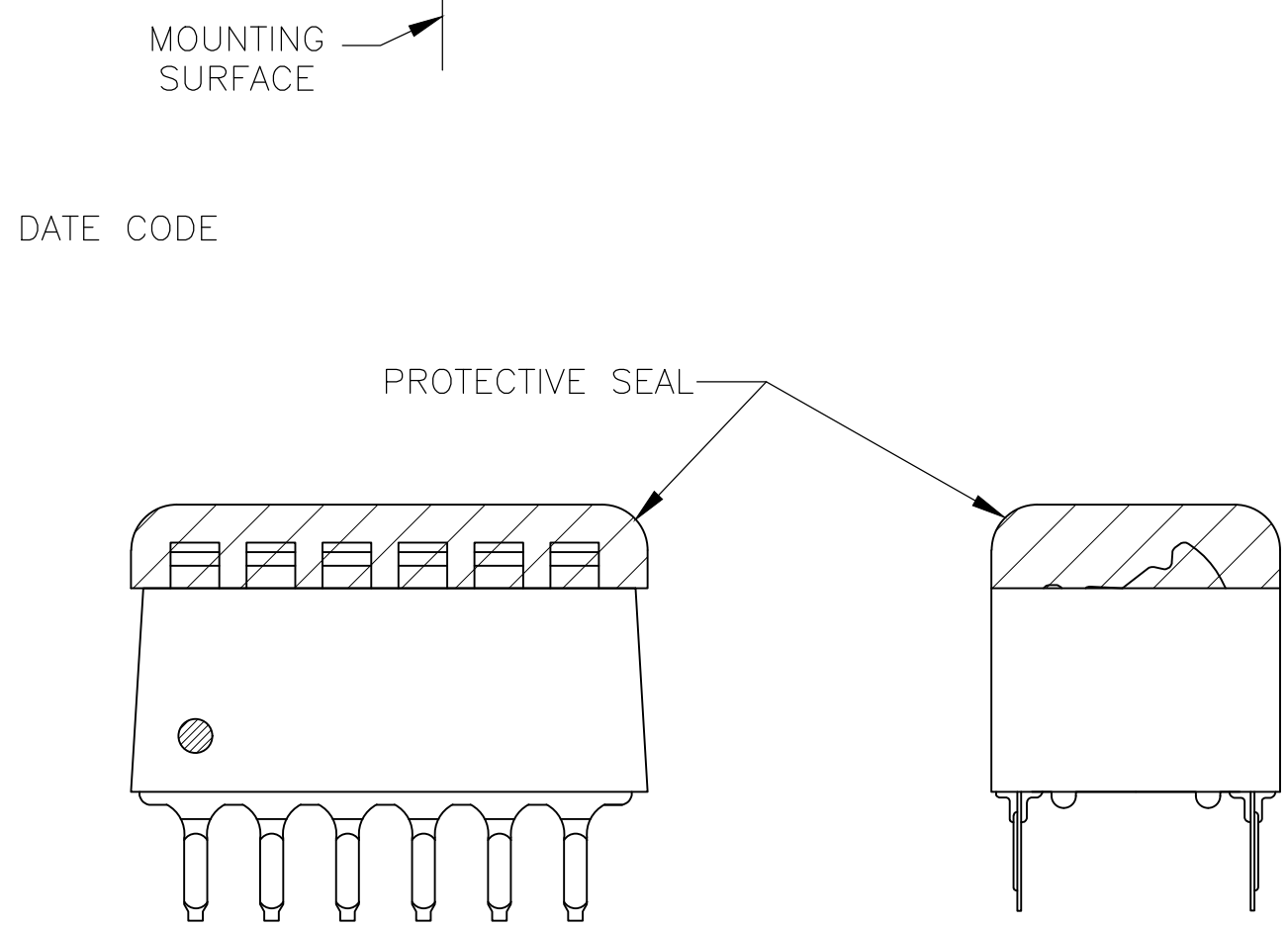
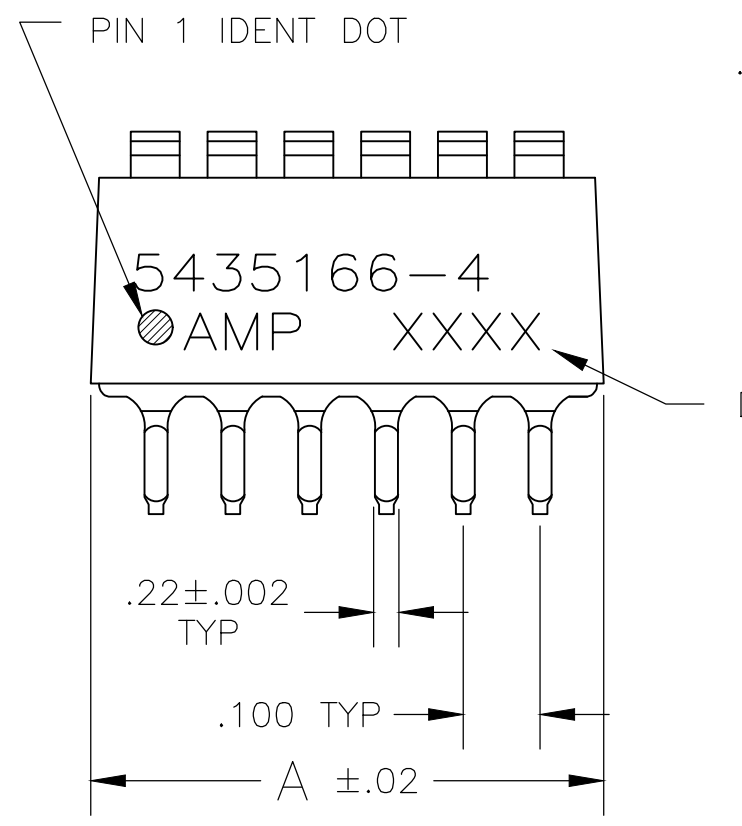
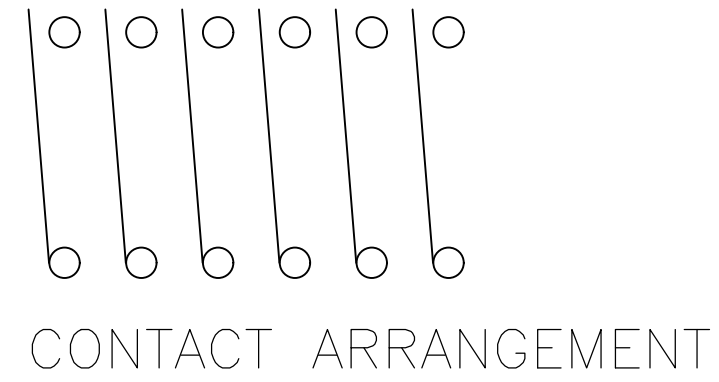
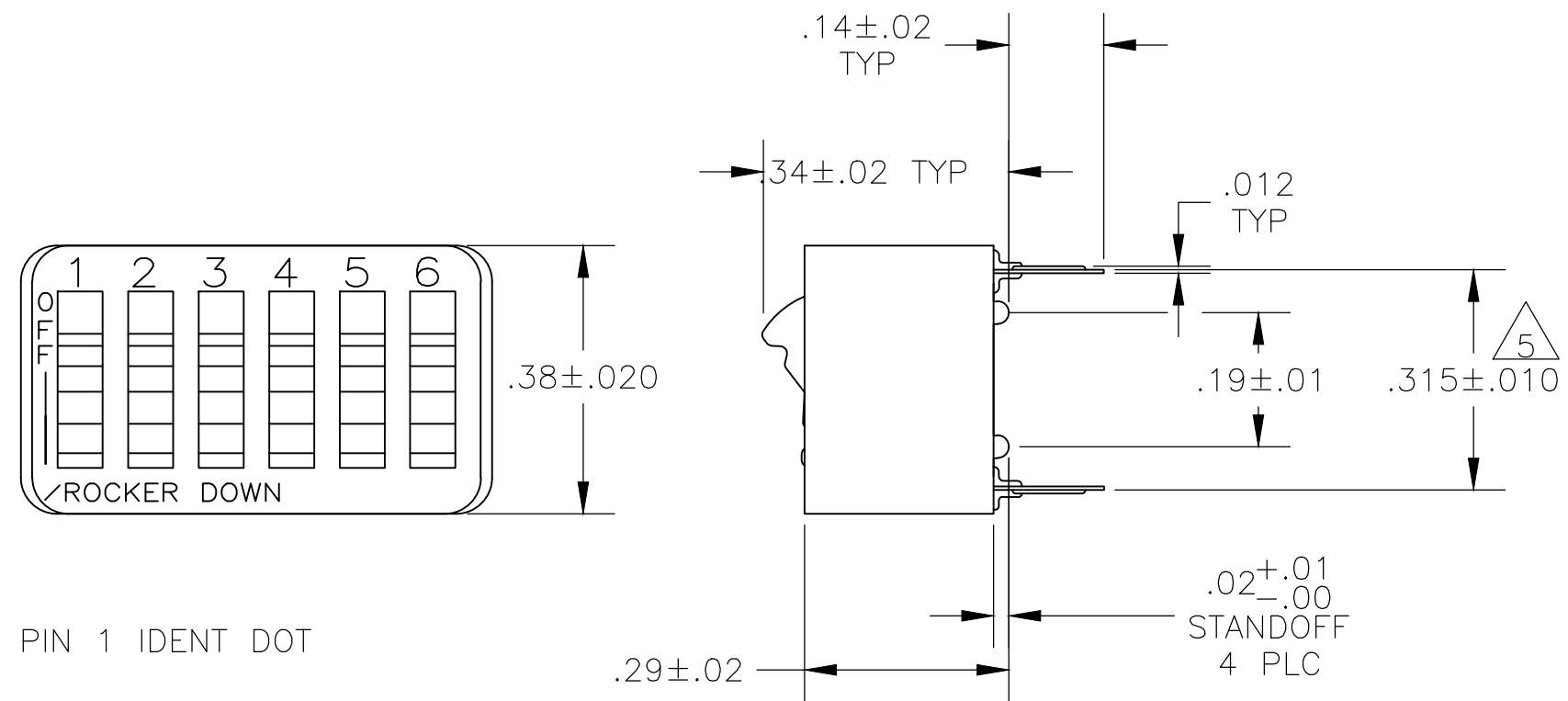


REVISIONS					
P	LTR	DESCRIPTION	DATE	DWN	APVD
B		ECO-20-004897	24AUG2020	SB	JB



- FOR ADDITIONAL SPECIFICATIONS SEE AMP PRODUCT SPEC 108-7519.
- SWITCH SHOWN IN OPEN POSITION.
- ALL CHARACTERS AND ROCKERS ARE WHITE, HOUSING IS BLACK.
- LASER MARKING WILL VARY ON 2 AND 3 POSITION SIDES DUE TO SPACE RESTRICTIONS
- .315 DIMENSION APPLIES AT TERMINAL TIPS. TERMINALS ARE .300 +.010 AT MOUNTING SURFACE. -.000
- STRIPPABLE TRANSPARENT SEAL, SEE FIG 1.
- ALL MATERIALS AND FINISHES SHALL COMPLY WITH EU DIRECTIVE 2002 /95/EC OF 27JAN2003 (ROHS).
- HOUSING AND ROCKERS-POLYESTER CONTACTS AND SOLDER LEADS-COPPER ALLOY
- CONTACTS-GOLD OVER NICKEL SOLDER LEADS-TIN OVER NICKEL
- OBSOLETE PARTS: OBSOLETE CIS STREAMLINING PER D.RENAUD/D.SINISI
- MARKS WILL BE ADDED BY LASER MARK PROCESS.

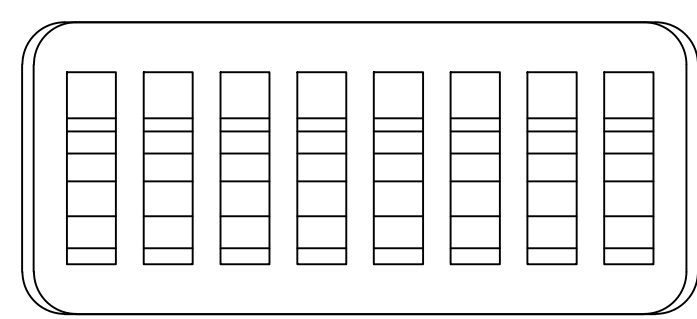


FIG 2

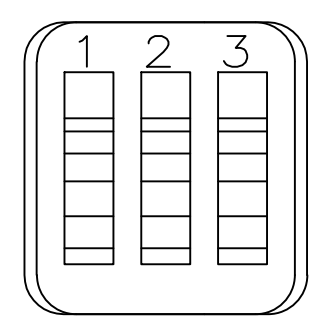


FIG 7

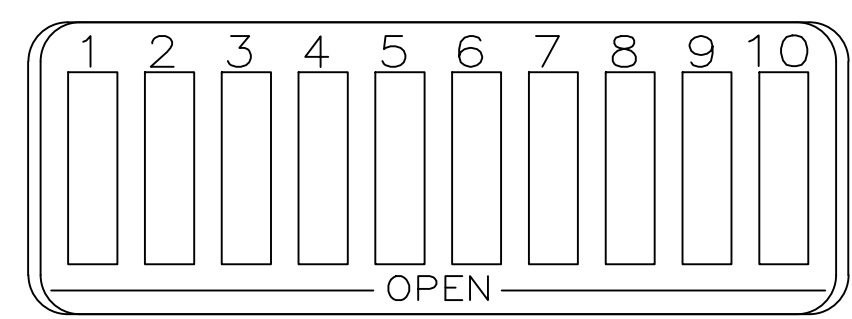


FIG 8

OBSOLETE	FIG 8	OBSOLETE	1.08	10	7-5435166-4
	AS SHOWN		1.08	10	5-5435166-5
			.88	8	5-5435166-3
			.78	7	5-5435166-2
			.68	6	5-5435166-1
OBSOLETE	FIG 7	OBSOLETE	.58	5	5-5435166-0
	AS SHOWN		.48	4	4-5435166-9
			.28	2	2-5435166-9
			.88	8	2-5435166-8
OBSOLETE	AS SHOWN	OBSOLETE	1.08	10	5435166-7
			.88	8	5435166-5
			.68	6	5435166-4
			.48	4	5435166-2
			.78	7	5435166-1
TOP MARKING	PROTECTIVE SEAL	A	NO OF POSN	PART NO	

THIS DRAWING IS A CONTROLLED DOCUMENT.

DWN: BSV 10JAN2005  
CHK: -  
APVD: -  
PRODUCT SPEC: -  
APPLICATION SPEC: -  
WEIGHT: -

DIMENSIONS: INCHES  
TOLERANCES UNLESS OTHERWISE SPECIFIED:  
0 PLC ± -  
1 PLC ± -  
2 PLC ± -  
3 PLC ± .005  
4 PLC ± -  
ANGLES ± -  
FINISH: 8

MATERIAL: 8

TE Connectivity  
SWITCH ASSY, DIP, TYPE C, 7000 SERIES, SPST, STANDARD

SIZE: A2 CAGE CODE: 00779 DRAWING NO: 5435166 RESTRICTED TO: -  
SCALE: 4:1 SHEET: 1 of 1 REV: B