



# 930 Series Miniature Bayonet Relampable Lampholders Ø 0.691" (17.5mm)



Relampable lampholders accommodate T-3 1/4 and T-2 incandescent lamps and T-3 1/4 neon lamps



## Applications

- panel indication
- electrical panels
- entertainment
- industrial
- appliances
- displays

## Key Features

- For panel hole diameter: 0.691" (17.5mm)
- Terminations available: solder lug, screw type or wire leads
- Variety of connection options for fast, easy installation.
- Can be mounted in D shaped holes
- Resistors are available in order to adjust the brightness
- Accommodate T-3 1/4 and T-2 incandescent lamps and T-2 neon lamps
- Available in seven lenses colors (red, green, white, blue, clear, amber and yellow).
- Robust lampholder assembly
- Drip proof option
- Finish available (lampholders): e-coat black, bright nickel, satin chrome or polished chrome
- Lead wire options with custom wire length available.
- RoHS and REACH Compliant.

# Ordering Data

Lampholders					Lens Cap																																																																																																											
Series Number	Termination	Features	Finish	Resistor	Lens Style	Retainer	Lens Color																																																																																																									
930																																																																																																																
	<table border="1"> <tr><td>Solder Lug</td><td>4</td></tr> <tr><td>Screw Type</td><td>5</td></tr> <tr><td>Wire Leads</td><td>W</td></tr> </table>	Solder Lug	4	Screw Type	5	Wire Leads	W	<table border="1"> <tr><td>None (Standard)</td><td>0</td></tr> <tr><td>Drip Proof<sup>1</sup></td><td>2</td></tr> <tr><td>D Hole Mounting &amp; Drip Proof<sup>1</sup></td><td>3</td></tr> </table>	None (Standard)	0	Drip Proof <sup>1</sup>	2	D Hole Mounting & Drip Proof <sup>1</sup>	3	<table border="1"> <tr><td>E-Coat Black</td><td>4</td></tr> <tr><td>Bright Nickel</td><td>5</td></tr> <tr><td>Satin Chrome</td><td>6</td></tr> <tr><td>Polished Chrome</td><td>7</td></tr> </table>	E-Coat Black	4	Bright Nickel	5	Satin Chrome	6	Polished Chrome	7	<table border="1"> <tr><td>None</td><td>X</td></tr> <tr><td>27K OHM</td><td>R</td></tr> <tr><td>33K OHM</td><td>S</td></tr> <tr><td>56K OHM</td><td>C</td></tr> <tr><td>68K OHM</td><td>F</td></tr> <tr><td>100K OHM</td><td>E</td></tr> </table>	None	X	27K OHM	R	33K OHM	S	56K OHM	C	68K OHM	F	100K OHM	E	<table border="1"> <tr><td colspan="2"><b>Retainer Required</b></td></tr> <tr><td>Flat<sup>3,7</sup></td><td>72 <input type="checkbox"/></td></tr> <tr><td>Flat Drip Proof<sup>3,7</sup></td><td>86 <input type="checkbox"/></td></tr> <tr><td>Flat Drip Proof<sup>4,7</sup></td><td>87 <input type="checkbox"/></td></tr> <tr><td>Convex<sup>3,7</sup></td><td>78 <input type="checkbox"/></td></tr> <tr><td>Convex<sup>4,7</sup></td><td>88 <input type="checkbox"/></td></tr> <tr><td>Convex Drip Proof<sup>3,7</sup></td><td>79 <input type="checkbox"/></td></tr> <tr><td>Convex Drip Proof<sup>4,7</sup></td><td>89 <input type="checkbox"/></td></tr> <tr><td colspan="2"><b>No Retainer Required</b></td></tr> <tr><td>Dome<sup>3,7</sup></td><td>71 <input type="checkbox"/></td></tr> <tr><td>Cylindrical<sup>3,7</sup></td><td>73 <input type="checkbox"/></td></tr> <tr><td>Fluted Dome<sup>5,8</sup></td><td>74 <input type="checkbox"/></td></tr> <tr><td>Fluted Cylindrical<sup>3,8</sup></td><td>76 <input type="checkbox"/></td></tr> <tr><td>No Retainer Required</td><td>0</td></tr> <tr><td>Dripproof (with O-Ring)</td><td>8</td></tr> </table>	<b>Retainer Required</b>		Flat <sup>3,7</sup>	72 <input type="checkbox"/>	Flat Drip Proof <sup>3,7</sup>	86 <input type="checkbox"/>	Flat Drip Proof <sup>4,7</sup>	87 <input type="checkbox"/>	Convex <sup>3,7</sup>	78 <input type="checkbox"/>	Convex <sup>4,7</sup>	88 <input type="checkbox"/>	Convex Drip Proof <sup>3,7</sup>	79 <input type="checkbox"/>	Convex Drip Proof <sup>4,7</sup>	89 <input type="checkbox"/>	<b>No Retainer Required</b>		Dome <sup>3,7</sup>	71 <input type="checkbox"/>	Cylindrical <sup>3,7</sup>	73 <input type="checkbox"/>	Fluted Dome <sup>5,8</sup>	74 <input type="checkbox"/>	Fluted Cylindrical <sup>3,8</sup>	76 <input type="checkbox"/>	No Retainer Required	0	Dripproof (with O-Ring)	8	<table border="1"> <tr><td colspan="2">Transparent (nondiffusing)</td></tr> <tr><td>AN</td><td>Amber</td></tr> <tr><td>BN</td><td>Blue<sup>6</sup></td></tr> <tr><td>CN</td><td>Colorless</td></tr> <tr><td>GN</td><td>Green<sup>6</sup></td></tr> <tr><td>RN</td><td>Red</td></tr> <tr><td>WN</td><td>White</td></tr> <tr><td>YN</td><td>Yellow</td></tr> <tr><td colspan="2">Translucent<sup>6</sup></td></tr> <tr><td>AT</td><td>Amber</td></tr> <tr><td>BT</td><td>Blue</td></tr> <tr><td>GT</td><td>Green</td></tr> <tr><td>RT</td><td>Red</td></tr> <tr><td>WT</td><td>White</td></tr> <tr><td>YT</td><td>Yellow</td></tr> <tr><td colspan="2">Diffusing (Frosted)<sup>6</sup></td></tr> <tr><td>AD</td><td>Amber</td></tr> <tr><td>BD</td><td>Blue</td></tr> <tr><td>CD</td><td>Colorless</td></tr> <tr><td>GD</td><td>Green</td></tr> <tr><td>RD</td><td>Red</td></tr> <tr><td>YD</td><td>Yellow</td></tr> </table>	Transparent (nondiffusing)		AN	Amber	BN	Blue <sup>6</sup>	CN	Colorless	GN	Green <sup>6</sup>	RN	Red	WN	White	YN	Yellow	Translucent <sup>6</sup>		AT	Amber	BT	Blue	GT	Green	RT	Red	WT	White	YT	Yellow	Diffusing (Frosted) <sup>6</sup>		AD	Amber	BD	Blue	CD	Colorless	GD	Green	RD	Red	YD	Yellow
Solder Lug	4																																																																																																															
Screw Type	5																																																																																																															
Wire Leads	W																																																																																																															
None (Standard)	0																																																																																																															
Drip Proof <sup>1</sup>	2																																																																																																															
D Hole Mounting & Drip Proof <sup>1</sup>	3																																																																																																															
E-Coat Black	4																																																																																																															
Bright Nickel	5																																																																																																															
Satin Chrome	6																																																																																																															
Polished Chrome	7																																																																																																															
None	X																																																																																																															
27K OHM	R																																																																																																															
33K OHM	S																																																																																																															
56K OHM	C																																																																																																															
68K OHM	F																																																																																																															
100K OHM	E																																																																																																															
<b>Retainer Required</b>																																																																																																																
Flat <sup>3,7</sup>	72 <input type="checkbox"/>																																																																																																															
Flat Drip Proof <sup>3,7</sup>	86 <input type="checkbox"/>																																																																																																															
Flat Drip Proof <sup>4,7</sup>	87 <input type="checkbox"/>																																																																																																															
Convex <sup>3,7</sup>	78 <input type="checkbox"/>																																																																																																															
Convex <sup>4,7</sup>	88 <input type="checkbox"/>																																																																																																															
Convex Drip Proof <sup>3,7</sup>	79 <input type="checkbox"/>																																																																																																															
Convex Drip Proof <sup>4,7</sup>	89 <input type="checkbox"/>																																																																																																															
<b>No Retainer Required</b>																																																																																																																
Dome <sup>3,7</sup>	71 <input type="checkbox"/>																																																																																																															
Cylindrical <sup>3,7</sup>	73 <input type="checkbox"/>																																																																																																															
Fluted Dome <sup>5,8</sup>	74 <input type="checkbox"/>																																																																																																															
Fluted Cylindrical <sup>3,8</sup>	76 <input type="checkbox"/>																																																																																																															
No Retainer Required	0																																																																																																															
Dripproof (with O-Ring)	8																																																																																																															
Transparent (nondiffusing)																																																																																																																
AN	Amber																																																																																																															
BN	Blue <sup>6</sup>																																																																																																															
CN	Colorless																																																																																																															
GN	Green <sup>6</sup>																																																																																																															
RN	Red																																																																																																															
WN	White																																																																																																															
YN	Yellow																																																																																																															
Translucent <sup>6</sup>																																																																																																																
AT	Amber																																																																																																															
BT	Blue																																																																																																															
GT	Green																																																																																																															
RT	Red																																																																																																															
WT	White																																																																																																															
YT	Yellow																																																																																																															
Diffusing (Frosted) <sup>6</sup>																																																																																																																
AD	Amber																																																																																																															
BD	Blue																																																																																																															
CD	Colorless																																																																																																															
GD	Green																																																																																																															
RD	Red																																																																																																															
YD	Yellow																																																																																																															

**Notes:**

- <sup>1</sup> These styles supplied with rubber washers for body and lens.
- <sup>2</sup> No resistor required with incandescent lamps.
- <sup>3</sup> Nondiffusing and translucent colors only.
- <sup>4</sup> Diffusing colors only.
- <sup>5</sup> Nondiffusing colors only.
- <sup>6</sup> Should not use with neon lamps.
- <sup>7</sup> Lens Material: Lexan UL-94 V2
- <sup>8</sup> Lens Material: Lexan UL-94 HB

Lampholders and Lens Caps may be ordered separately or as complete assemblies as shown in the example below

## 930424X897RD



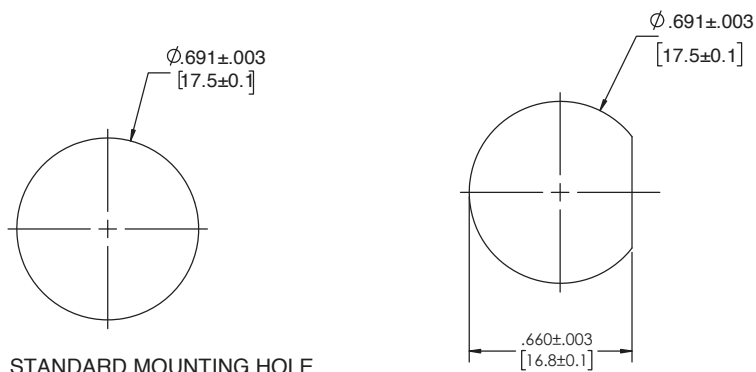
Series Number	Termination	Features	Finish	Resistor	Lens Style	Retainer	Lens Color
930	4 (Solder Lug)	2 (Drip Proof)	4 (E-Coat Black)	X (None)	89 (Convex Drip Proof)	7 (Polished Chrome)	RD (Red Diffusing)

## Product Specifications

Materials	
Housing	Brass. E-coat black, bright nickel, polished or satin chrome finishes
Body	High dielectric phenolic
Lockwasher	Phosphor bronze. Nickel-plated
Lens	Heat resistant, polycarbonate See notes 7 and 8 on page 2
Hex Nut	Brass. Nickel plated.
Terminals	Solder Lug: Brass, tin plated Screw Type: 4-40 brass, nickel plated binding head screws
Wire Leads	6" Leads, #18 AWG, black & white stranded cooper, PVC insulated, UL/CSA rated 105°C, stripped 1/2". Custom wire options are also available
Retainer	Brass. Zinc plated, bright nickel, polished or satin chrome finishes

Installation Specifications	
Mounting Hole	.651"±.005 (16.5mm±.1)
D- mounting hole (optional)	.651"±.005 (16.5mm±.1) x .691"±.003 (17.6mm±.1)
Maximum Rating	3 Watts, 250 Volts

## Mounting Holes - Dimensions



STANDARD MOUNTING HOLE

OPTIONAL "D" MOUNTING HOLE

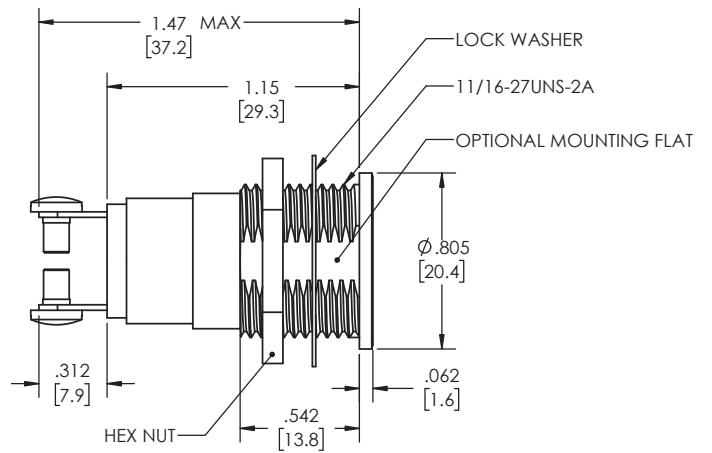
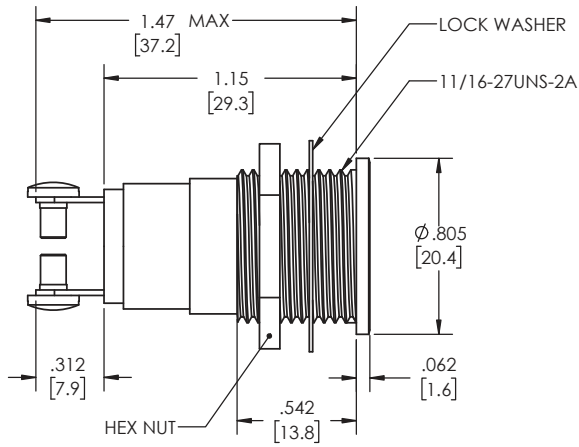
All Dimensions in inches [mm]

## Compliance and Approvals

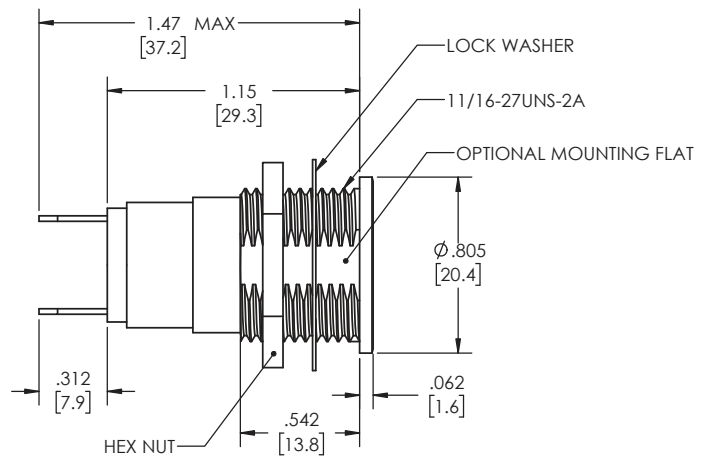
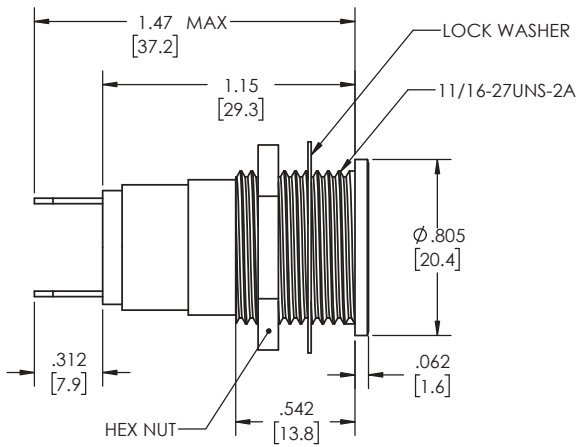


# Product Dimensions - Housing and Termination

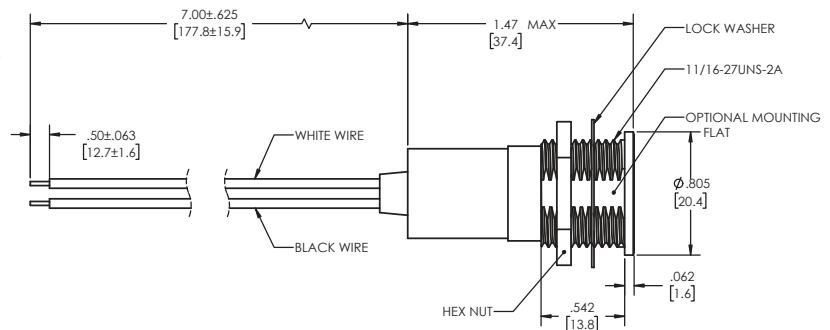
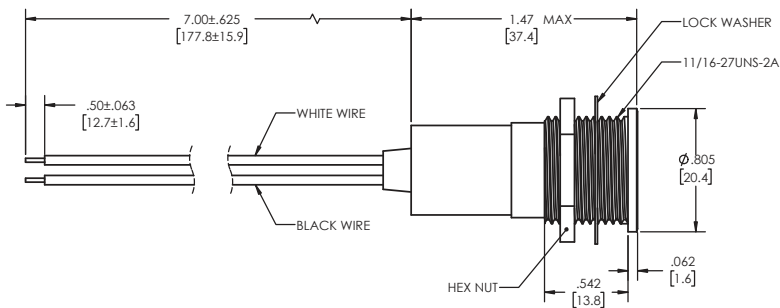
## Screw Type



## Solder Lug



## Wire Leads

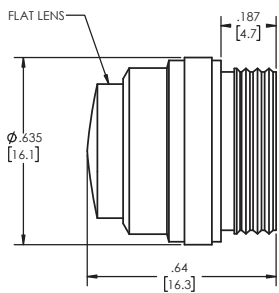


All Dimensions in inches [mm]

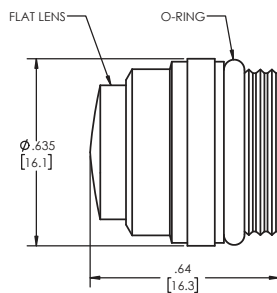
## Product Dimensions - Lens Style

### Lens Style - Retainer Required

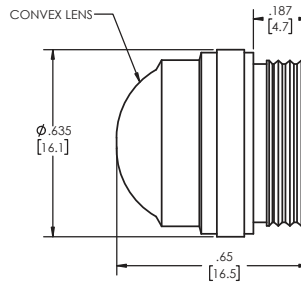
Flat:



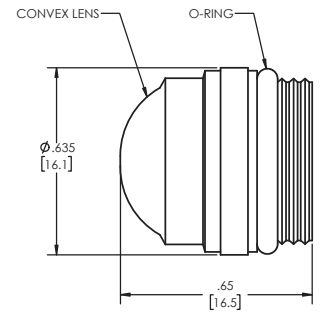
Flat Drip Proof:



Convex:

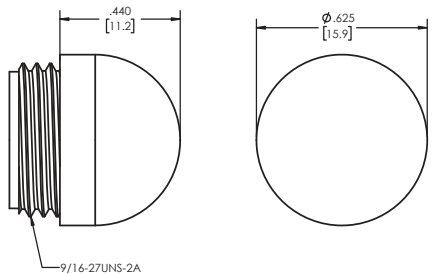


Convex Drip Proof:

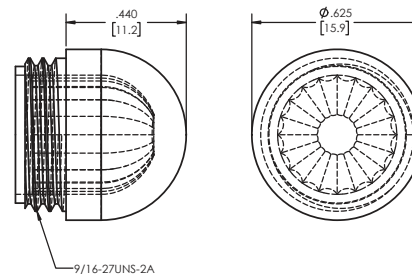


### Lens Style - No Retainer Required

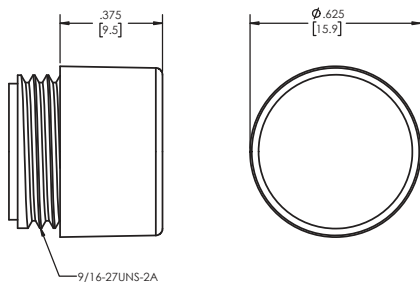
Dome:



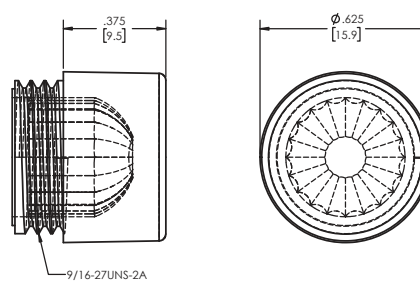
Dome Fluted:



Cylindrical:

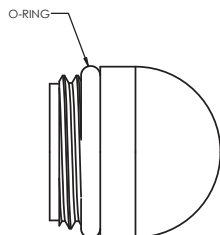


Cylindrical Fluted:

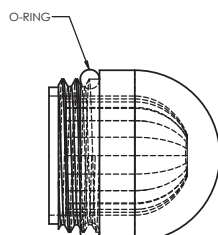


### Lens Style - Lampholder features Drip-proof (with O-Ring)

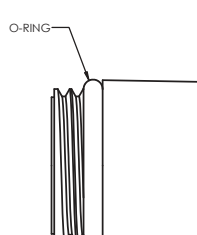
Dome:



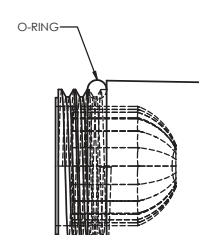
Dome Fluted:



Cylindrical:



Cylindrical Fluted:



All Dimensions in inches [mm]