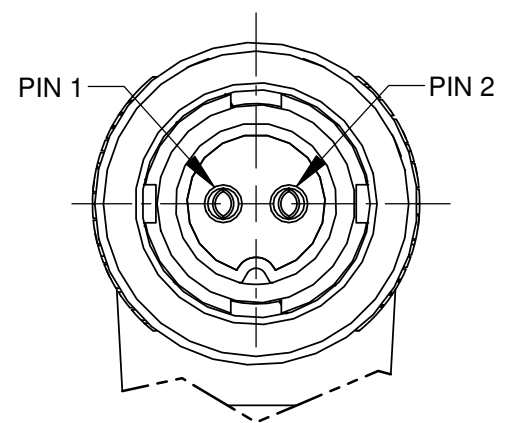
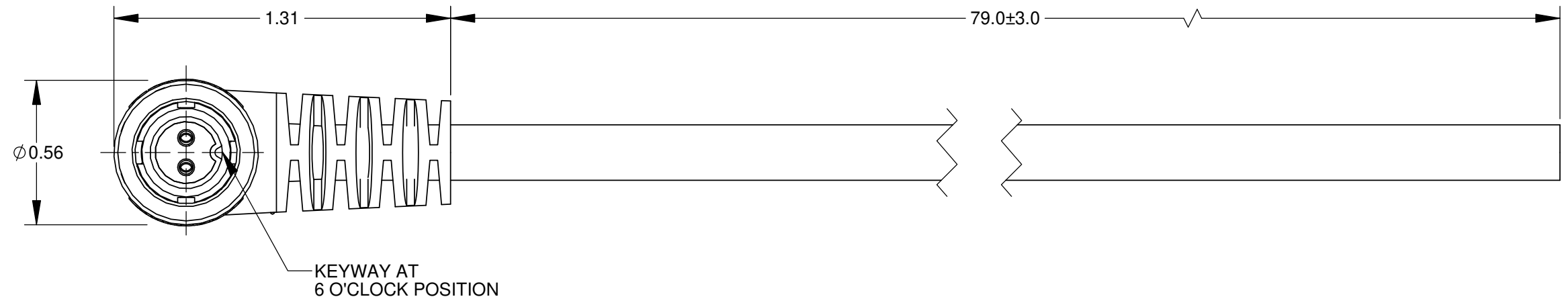


**EN2C2F20
RIGHT ANGLE OVERMOLDED**
 OVERMOLD - BLACK THERMOPLASTIC RUBBER
 CONNECTOR - BLACK THERMOPLASTIC, WITH INSERT
 MOLDED BLACK THERMOPLASTIC RUBBER.
 CONTACTS - COPPER ALLOY, GOLD PLATED

S.C.O



**EN2C2F20 VIEWED FROM
FRONT MATING
SIDE OF CONNECTOR
SCALE 3 : 1**



KEYWAY AT
6 O'CLOCK POSITION

WIRING TABLE	
EN2C2F20	WIRE COLOR
PIN 1	BLACK
PIN 2	WHITE

CUSTOMER DRAWING

NOTES:
1. THIS PRODUCT IS RoHS COMPLIANT.

REV	ECO NUMBER	DATE	BY	APVD
*	*	*	*	*
REVISIONS				

UNLESS OTHERWISE SPECIFIED
 1. ALL DIMENSIONS IN INCHES [mm]
 - TWO PLACE DECIMALS ±0.02 [0.5]
 - THREE PLACE DECIMALS ±0.005 [0.13]

DO NOT SCALE DRAWING

THIS DRAWING DESCRIBES A DESIGN CONSIDERED PROPRIETARY IN NATURE, DEVELOPED AND MANUFACTURED BY SWITCHCRAFT INC. AND IS RELEASED ON A CONFIDENTIAL BASIS FOR IDENTIFICATION PURPOSES ONLY.										
SIZE *	WIDTH *	MULT *	LBS/M *	TEMPER *						
FINISH *					MATERIAL *					
SPEC No. *					SPEC No. *					
FIRST USED ON *			SCALE 2:1		Switchcraft [®]					
DATE DRAWN	BY	CHKD	APVD							
11/23/16	AB	AB	*		SHEET 1 OF 1					
NAME		EN2C2F20 RIGHT ANGLE, ON 79" OF CABLE, RoHS			PART No.		CARAEN2C2F07990		REV	0A