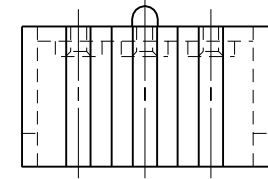
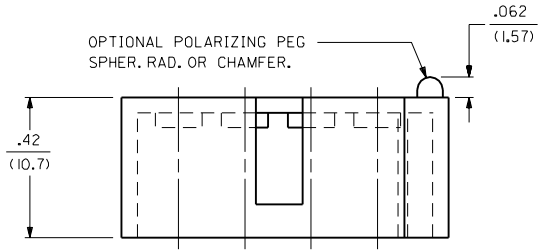
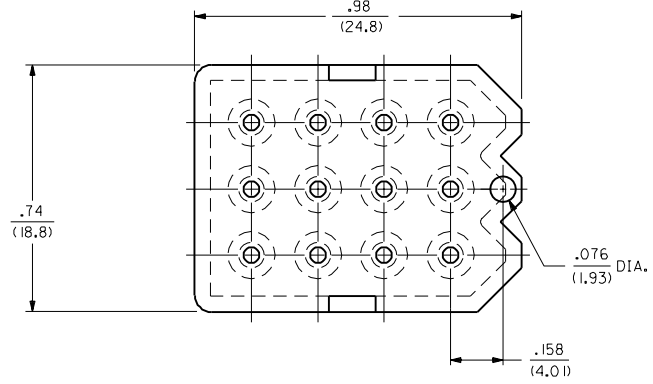
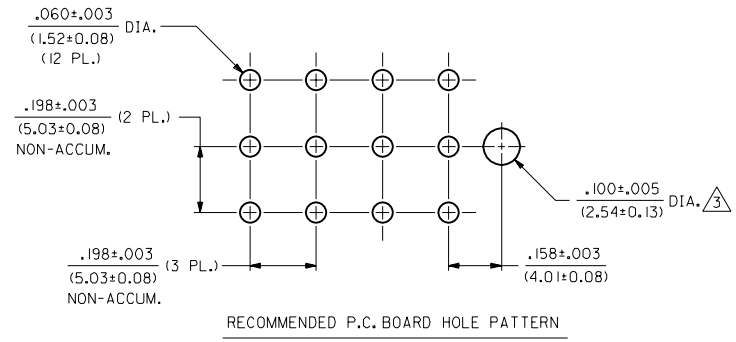
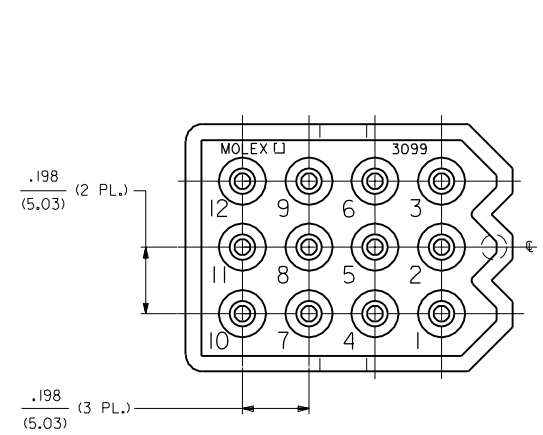


PART NO.	ENG. NO.	POLARIZING PEG OPTION
50-29-1412	3099-12A1	WITH
50-29-1462	3099-12B1	WITHOUT



NOTES:

- THIS HOUSING FOR USE WITH STANDARD .093/(2.36) SERIES RECEPTACLES.
- MATERIAL:
 - 1- UNFILLED POLYESTER, 94V-0, COLOR-BLACK
- ONLY REQUIRED WHEN USING PARTS WITH OPTIONAL POLARIZING PEG.
- THIS HOUSING ACCEPTS 1840 SERIES PIN AND SOCKET TERMINALS.
- PARTS TO BE MOUNTED ON SUPPORTED EDGE OF P.C. BOARD.
- WHERE MALE TERMINALS ARE USED, MATING CONNECTOR TO USE FEMALE TERMINAL WITH CLOSED SLOT IN BARREL.



RECOMMENDED P.C. BOARD HOLE PATTERN

REV.	DESCRIPTION
G	CHG. COLOR TO BLK ECN #U4 0193 2-24-94 RW
F	357 MAT'L. WAS 457 ECR U3 1659 OC 11/10/93 RW
E	DEL MAT'L. OPT. 2 ECR U2-1469 AFC 92-10-09 RW
D	REVISE V-0 MAT'L. ECR U2 0079 OC 1/17/92 RW
C	REV. PER DETAIL ECR U90942 KBW 08-08-89 RW
B	REVISED PER ECR U90347 GEP 5-25-89 RW
A	FINAL REL. PER ERO 27914 GEP 2-9-89 RW
I	**X* REL. PER ERO 21600 GEP 1-16-89 RW

MFG. SH. REV. LTR. REVISIONS

UNLESS OTHERWISE SPECIFIED TOLERANCES: ANGULAR ± .04

DIMENSIONS SHOWN (METRIC) INCH	INCH	METRIC
3 PLACE	± .010	---
2 PLACE	± .014	± 0.25
1 PLACE	---	± 0.35

DRAFT WHERE APPLICABLE MUST REMAIN WITHIN DIMENSIONS

MOLEX INCORPORATED L15LEJLL 60532 U.S.A.

FILE NAME: S3099(12X) D001

DATE: 1/16/93

SHEET NO. 1 OF 1

TITLE: 12 CKT. HOUSING, ENCLOSED HEADER, .198/(5.03) CENTERS

SEE CHART SD-3099-12*

NO P.S. 1