

## ISL8282M

15A High Efficiency Hybrid Digital Step-Down Power Module

FN9365  
Rev.1.00  
Feb 14, 2019

The [ISL8282M](#) is a PMBus enabled DC/DC single channel step-down power supply featuring the proprietary Renesas R4™ Technology. The module supports a wide 4.5V to 16.5V input voltage range and a wide 0.5V to 5V output range capable of delivering up to 15A of continuous current. The ISL8282M achieves up to 95% conversion efficiency and is optimized for high power density. Integrated LDOs provide module bias voltage allowing for single supply operation. The ISL8282M includes a SMBus/PMBus/I<sup>2</sup>C interface for device configuration, telemetry ( $V_{IN}$ ,  $V_{OUT}$ ,  $I_{OUT}$ , and temperature), and fault reporting.

The proprietary Renesas R4 control scheme has extremely fast transient performance, accurately regulated frequency control, and all internal compensation. An efficiency enhancing PFM mode greatly improves light-load efficiency. The ISL8282M's serial bus allows for easy R4 loop optimization that results in fast transient performance across a wide range of applications including all ceramic output filters.

The ISL8282M has four 8-bit configuration pins that provide very flexible configuration options (such as frequency,  $V_{OUT}$ , and AV gain) without the need for built-in NVM memory. As a result, the design flow closely matches traditional analog modules while still offering the design flexibility and feature set of a digital SMBus/PMBus/I<sup>2</sup>C interface. The ISL8282M features remote voltage sensing, completely eliminates any potential difference between remote and local ground, and improves regulation and protection accuracy. A precision enable input coordinates the startup of the ISL8282M with other voltage rails and is especially useful for power sequencing.

The ISL8282M integrates all power and most passive components to minimize the external components and significantly reduce design complexity and board space. The ISL8282M is available in a low-profile, thermally enhanced, compact 12mmx11mmx5.3mm fully encapsulated HDA package.

### Applications

- Servers, telecom, storage, and datacom
- Industrial/ATE and networking equipment
- Graphics cards
- General purpose power for ASIC, FPGA, DSP, and memory

### Features

- Proprietary Renesas [R4 Technology](#)
  - Linear control loop for optimal transient response
  - Variable frequency and duty cycle control during load transient for fastest possible response
  - Inherent voltage feed-forward for wide range input
- Input voltage range: 4.5V to 16.5V
- Output voltage range: 0.5V to 5V
- ±1.5% load/line/temperature regulation with remote sense
- Supports all ceramic solutions
- Integrated LDOs for single input rail solution
- SMBus/PMBus/I<sup>2</sup>C compatible up to 1.25MHz
- 256 boot-up voltage levels with a configuration pin
- Seven switching frequency options from 300kHz to 1MHz
- PFM operation option for improved light-load efficiency
- Startup into precharged load
- Power-good monitor for soft-start and fault detection
- Comprehensive fault protection for high system reliability
  - Over-temperature protection
  - Output overcurrent and short-circuit protection
  - Output overvoltage and undervoltage protection
  - Open remote sense protection
  - Input UVLO and power sequence, fault reset
- Compatible with Renesas [PowerNavigator™](#) software
- Thermally enhanced 12mmx11mmx5.3mm HDA package

### Related Literature

For a full list of related documents, visit our website:

- [ISL8282M](#) device page

## Contents

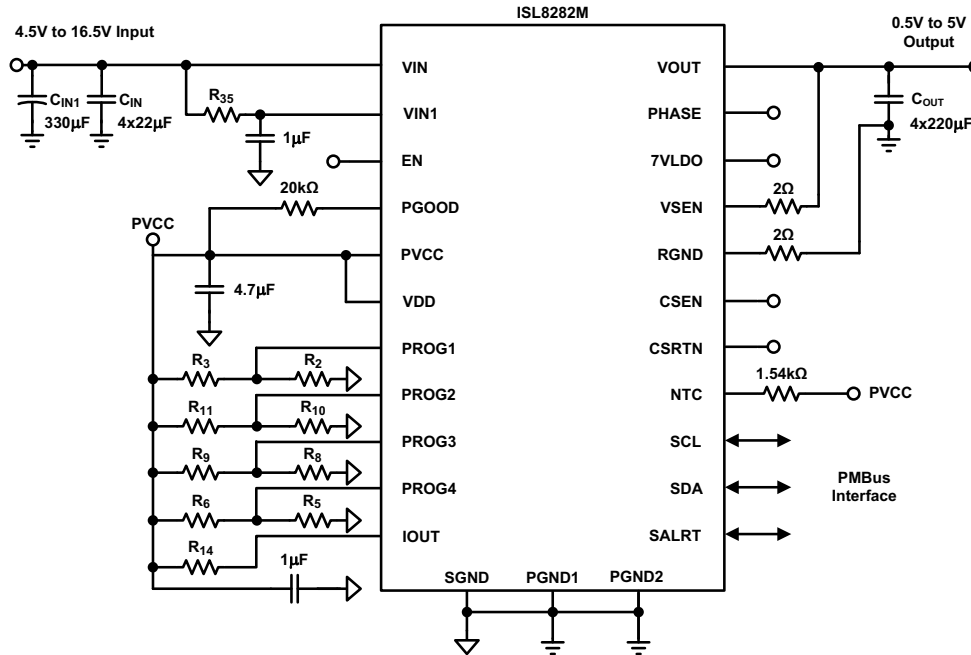
|   |           |
|---|-----------|
| <b>1. Overview</b>                                | <b>4</b>  |
| 1.1 Typical Application Circuit                   | 4         |
| 1.2 Block Diagram                                 | 5         |
| 1.3 Ordering Information                          | 5         |
| 1.4 Pin Configuration                             | 7         |
| 1.5 Functional Pin Descriptions                   | 8         |
| <b>2. Specifications</b>                          | <b>11</b> |
| 2.1 Absolute Maximum Ratings                      | 11        |
| 2.2 Thermal Information                           | 11        |
| 2.3 Recommended Operating Conditions              | 12        |
| 2.4 Electrical Specifications                     | 12        |
| <b>3. Typical Performance Curves</b>              | <b>16</b> |
| 3.1 Efficiency Performance                        | 16        |
| 3.2 Output Voltage Ripple                         | 17        |
| 3.3 Load Transient Response Performance           | 19        |
| 3.4 Startup and Shutdown                          | 20        |
| 3.5 Derating Curves                               | 21        |
| <b>4. Functional Description</b>                  | <b>23</b> |
| 4.1 Configuring Internal Bias and LDO             | 23        |
| 4.2 Enabling and Disabling the ISL8282M           | 23        |
| 4.3 Programming the Resistor Reader               | 24        |
| 4.4 Soft-Starting                                 | 27        |
| 4.5 Boot-Up Voltage Programming                   | 28        |
| 4.6 Thermal Monitoring and Compensation           | 35        |
| 4.7 Fault Protection                              | 36        |
| 4.8 PGOOD Monitor                                 | 38        |
| 4.9 PFM Mode Operation                            | 38        |
| 4.10 SMBus, PMBus, and I <sup>2</sup> C Operation | 38        |
| <b>5. Layout Guidelines</b>                       | <b>45</b> |
| <b>6. Thermal Considerations</b>                  | <b>46</b> |
| <b>7. Package Description</b>                     | <b>47</b> |
| 7.1 PCB Layout Pattern Design                     | 47        |
| 7.2 Thermal Vias                                  | 47        |
| 7.3 Stencil Pattern Design                        | 47        |
| 7.4 Reflow Parameters                             | 48        |

**8. Revision History . . . . . 49**

**9. Package Outline Drawing . . . . . 50**

## 1. Overview

### 1.1 Typical Application Circuit



- For  $V_{OUT} = 3.3V$ , minimum  $V_{IN}$  is 5.5V; for  $V_{OUT} = 5V$ , minimum  $V_{IN}$  is 8V.
- $R_{35}$ : see [Table 2 on page 9](#).
- $R_2$  and  $R_3$ : to program output voltage, see [Table 4 on page 25](#) for typical  $V_{OUT}$ .
- $R_{10}$  and  $R_{11}$ : to program PFM/PWM mode, temperature compensation, and PMBus address, see [Table 5 on page 25](#) for typical applications.
- $R_8$  and  $R_9$ : to program  $f_{SW}$ , AV gain, OCP retry/latch off, and ultrasonic PFM enable, see [Table 6 on page 26](#) for typical applications.
- $R_5$  and  $R_6$ : to program soft-start ramp rate, RR impedance, and AV gain multiplier (1x or 2x), see [Table 7 on page 27](#) for typical applications.
- $R_{14}$ :  $I_{OUT}$  pull-up resistor. See [Table 2 on page 9](#).

Figure 1. Wide Range Input and Output Application

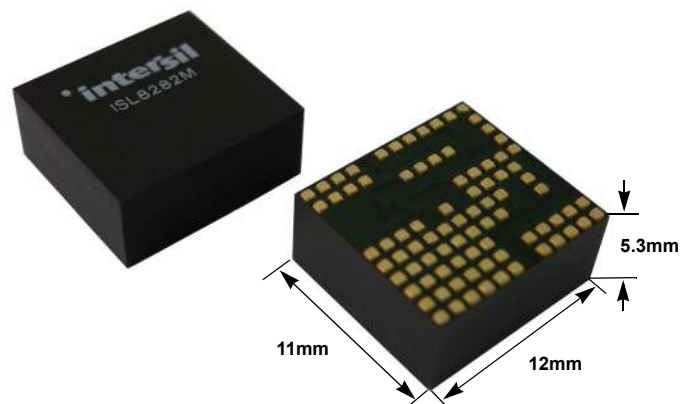
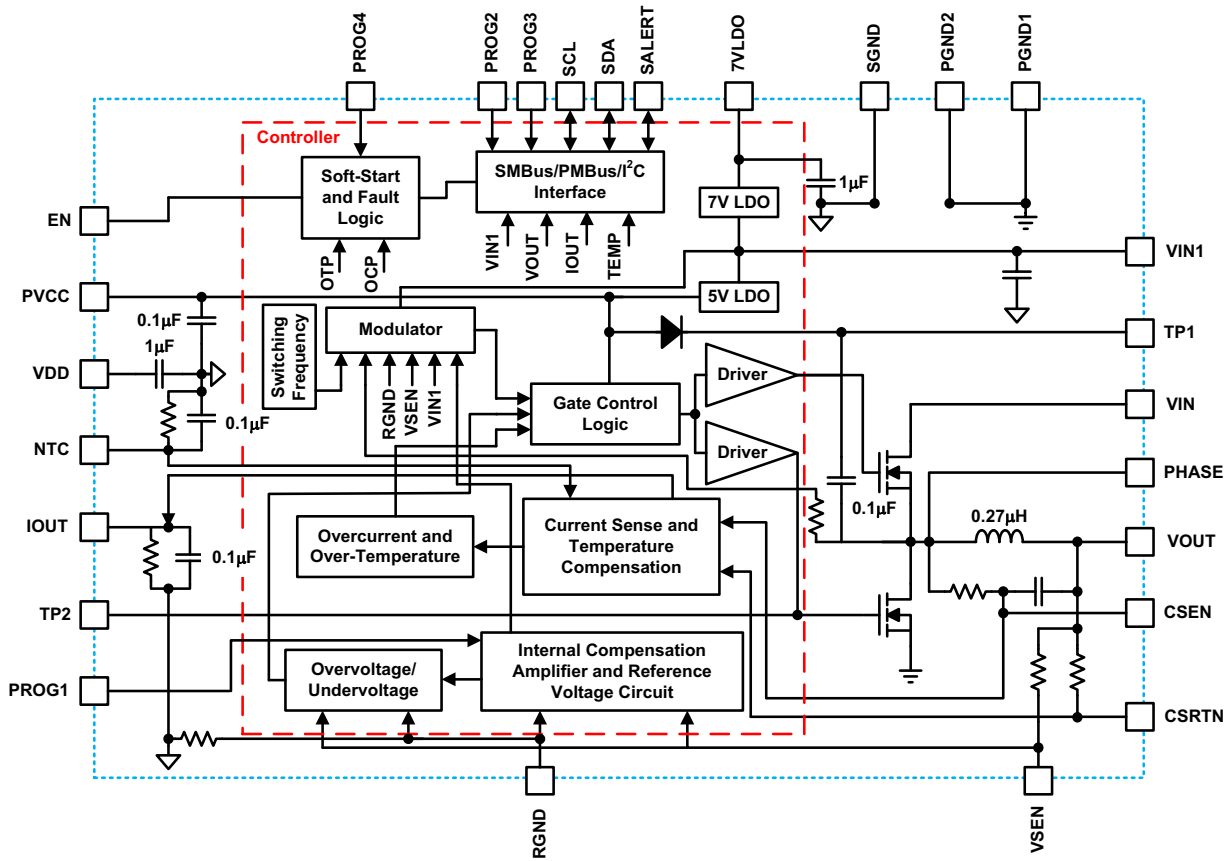


Figure 2. Small Package for High Power Density

## 1.2 Block Diagram



## 1.3 Ordering Information

| Part Number (Notes 2, 3) | Part Marking     | Temp Range (°C) | Tape and Reel (Units) (Note 1) | Package (RoHS Compliant) | Pkg. Dwg. # |
|--------------------------|------------------|-----------------|--------------------------------|--------------------------|-------------|
| ISL8282MFRZ              | ISL8282M         | -40 to +125     | -                              | 83 Ld 12x11 HDA Module   | Y83.12x11   |
| ISL8282MFRZ-T            | ISL8282M         | -40 to +125     | 720                            | 83 Ld 12x11 HDA Module   | Y83.12x11   |
| ISL8282MFRZ-T1           | ISL8282M         | -40 to +125     | 100                            | 83 Ld 12x11 HDA Module   | Y83.12x11   |
| ISL8282MEVAL1Z           | Evaluation Board |                 |                                |                          |             |

Notes:

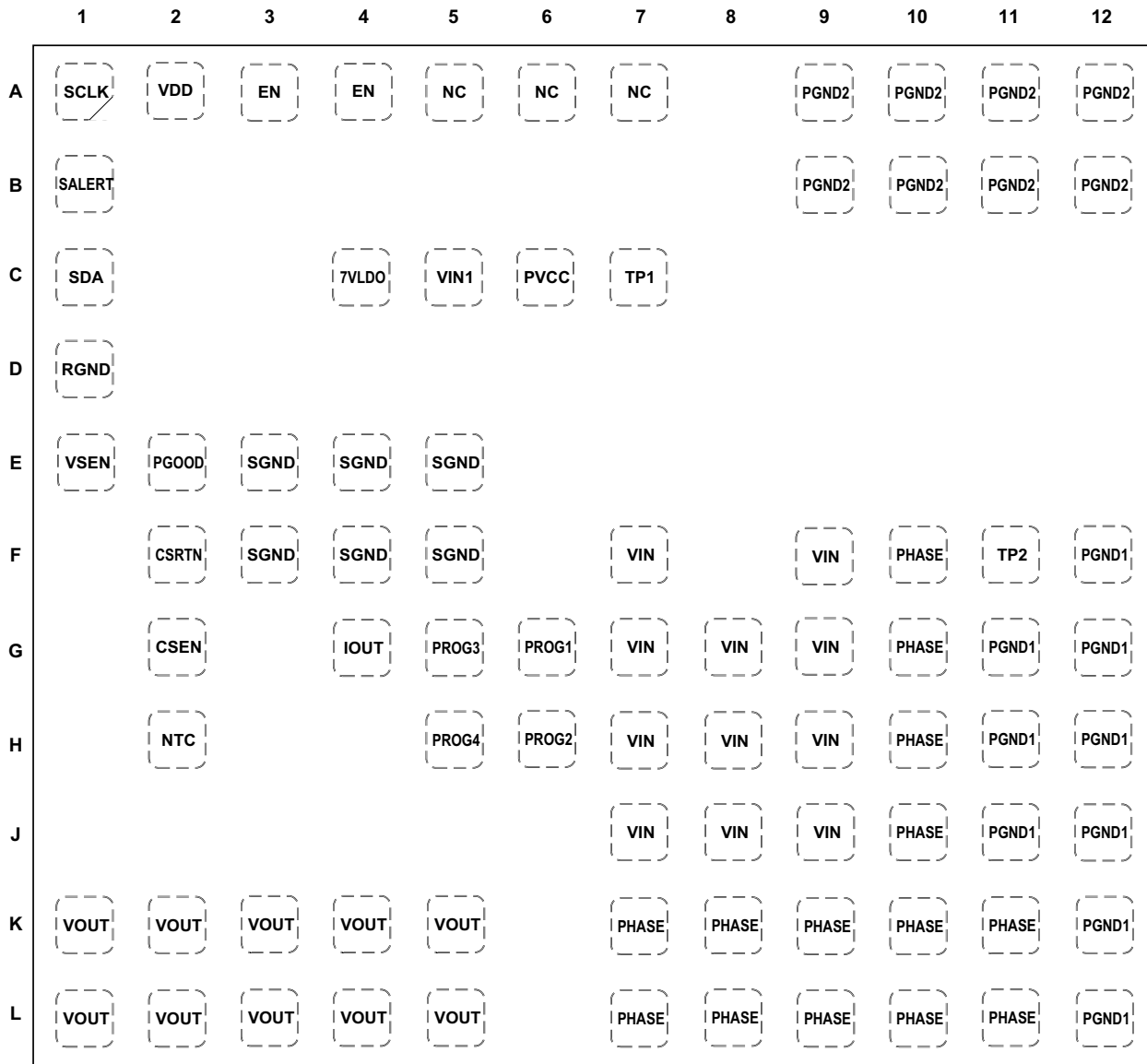
1. See [TB347](#) for details about reel specifications.
2. These plastic packaged products are RoHS compliant by EU exemption 7C-I and employ special Pb-free material sets; molding compounds/die attach materials and NiPdAu plate - e4 termination finish which is compatible with both SnPb and Pbfree soldering operations. RoHS compliant products are MSL classified at Pb-free peak reflow temperatures that meet or exceed the Pb-free requirements of IPC/JEDEC J STD-020.
3. For Moisture Sensitivity Level (MSL), see the [ISL8282M](#) device page. For more information about MSL, see [TB363](#).

Table 1. Key Differences Between Family of Parts

| Parameters                        | ISL8282M | ISL8280M | ISL8212M | ISL8210M |
|-----------------------------------|----------|----------|----------|----------|
| Load Current (A)                  | 15       | 10       | 15       | 10       |
| Minimum $V_{IN}$ (V)              | 4.5      | 4.5      | 4.5      | 4.5      |
| Maximum $V_{IN}$ (V)              | 16.5     | 16.5     | 16.5     | 16.5     |
| Minimum $V_{OUT}$ (min) (V)       | 0.5      | 0.5      | 0.5      | 0.5      |
| Maximum $V_{OUT}$ (V)             | 5        | 5        | 5        | 5        |
| Peak Efficiency (%)               | 95.2     | 95.2     | 95.2     | 95.2     |
| POR                               | Yes      | Yes      | Yes      | Yes      |
| Minimum Switching Frequency (kHz) | 255      | 255      | 255      | 255      |
| Maximum Switching Frequency (kHz) | 1130     | 1130     | 1130     | 1130     |
| Control Type                      | R4       | R4       | R4       | R4       |
| Sync Capability                   | No       | No       | No       | No       |
| Load Sharing                      | No       | No       | No       | No       |
| PMBus                             | Yes      | Yes      | No       | No       |

### 1.4 Pin Configuration

83 Ld 12x11 HDA  
Top View



## 1.5 Functional Pin Descriptions

| Pin Number   | Symbol | Description  |
|--|--------|--|
| A5, A6, A7   | NC     | No connection pads. The pads dissipate the inductor heat and provide good thermal performance. Do not connect to any other circuits.   |
| A9, A10, A11, A12, B9, B10, B11, B12                           | PGND2  | Power ground. The pads are connected to the source of the low-side MOSFET inside the module.   |
| F7, F9, G7, G8, G9, H7, H8, H9, J7, J8, J9                     | VIN    | Power input. Connect the pads directly to an input rail in the range of 4.5V to 16.5V. Connect the input ceramic capacitors between VIN and PGND1 as close as possible to the module.  |
| F10, G10, H10, J10, K7, K8, K9, K10, K11, L7, L8, L9, L10, L11 | PHASE  | Phase node connection. The pads are connected to the junction of the high-side MOSFET's source, output filter inductor, low-side MOSFET's drain, and return path for the UGATE high-side MOSFET driver.  |
| F12, G11, G12, H11, H12, J11, J12, K12, L12                    | PGND1  | Power ground. The pads are the sources of the lower MOSFET inside the module and should be connected to the (-) terminals of the external input capacitors and output capacitors.  |
| K1, K2, K3, K4, K5, L1, L2, L3, L4, L5                         | VOUT   | Regulated power module output. Apply the output load between VOUT and PGND1.   |
| A1   | SCLK   | SMBus/PMBus/I <sup>2</sup> C synchronous clock signal input. A pull-up resistor is required for this application.  |
| A2   | VDD    | Logic bias supply. Connect the pin externally to the PVCC rail.  |
| A3, A4   | EN     | Precision enable input. Pulling EN above the rising threshold voltage initiates the soft-start sequence. Pulling EN below the falling threshold voltage suspends module operation.   |
| B1   | SALERT | Output pin for transferring the active low signal driven asynchronously from the module to SMBus/PMBus. A pull-up resistor is required for this application.   |
| C1   | SDA    | I/O pin for transferring data signals between the SMBus/PMBus/I <sup>2</sup> C host and the module. A pull-up resistor is required for this application.   |
| C4   | 7VLDO  | 7V LDO used to bias the current sensing amplifier.   |
| C5   | VIN1   | Input voltage pin for the R4 loop (5V) and LDO (7V). Place a high quality low ESR ceramic capacitor (1.0 $\mu$ F, X7R) in close proximity to the pin.  |
| C6   | PVCC   | Output of the 5V LDO to bias internal control circuits and MOSFETs drivers of ISL8282M. Place a high quality low ESR ceramic capacitor (4.7 $\mu$ F, X7R) in close proximity to the pin.   |
| C7   | TP1    | Test pad. Leave this pin open.   |
| D1   | RGND   | Monitors the negative rail of the module output. Connect to ground at the point of regulation.   |
| E1   | VSEN   | Monitors the positive rail of the module output. Connect to the point of regulation.   |
| E2   | PGOOD  | Open-drain indicator output. The PGOOD signal is asserted when the output voltage is within $\pm 12.5\%$ of the nominal set output voltage and is deasserted when the output voltage is outside of the stated range or the EN pin is pulled low. |
| E3, E4, E5, F3, F4, F5   | SGND   | Signal ground pads. The small-signal ground is common to all control circuitry and all voltage levels are measured with respect to this pin. Tie SGND to a solid low noise GND plane.  |
| F2   | CSRTN  | Monitors the negative flow of output current for overcurrent protection and telemetry.   |
| F11  | TP2    | Test pad. Leave this pin open.   |
| G2   | CSEN   | Monitors the positive flow of output current for overcurrent protection and telemetry.   |
| G4   | IOUT   | Output current monitor pin. An internal resistor sets the gain and an internal capacitor provides the averaging function; an external pull-up resistor to VDD is recommended to calibrate the no load offset.                                    |
| G5   | PROG3  | Programming pin for ultrasonic PFM operation, fault behavior, switching frequency, and R4 (AV) control loop gain.  |



| Pin Number | Symbol | Description  |
|------------|--------|--|
| G6         | PROG1  | Programming pin for boot-up voltage.   |
| H2         | NTC    | Input pin for temperature measurement. An NTC thermistor and a decoupling capacitor inside the module are connected between this pin and SGND. Connect this pin through a resistor (1.54k $\Omega$ ) to a VDD pad externally. The voltage at this pin is inversely proportional to the module temperature. |
| H5         | PROG4  | Programming pin for modulator (R4) RR impedance and output slew rate during soft-start (SS). This pin also sets the AV gain multiplier to 1x or 2x and determines the AV gain on PROG3.  |
| H6         | PROG2  | Programming pin for PWM/PFM mode, temperature compensation, and serial bus (SMBus/PMBus/I <sup>2</sup> C) address.   |

Table 2. ISL8282M Design Guide Matrix of Typical Applications

| V <sub>OUT</sub> (V) | V <sub>IN</sub> (V) | Frequency (kHz) | AV Gain | RR ( $\Omega$ ) | TCOMP ( $^{\circ}$ C) | R <sub>14</sub> (M $\Omega$ ) | R <sub>35</sub> ( $\Omega$ ) |
|----------------------|---------------------|-----------------|---------|-----------------|-----------------------|-------------------------------|------------------------------|
| 0.5                  | 5                   | 400             | 49      | 200k            | 5                     | 1.2                           | 0                            |
|                      | 10                  |                 |         |                 |                       | 2                             |                              |
|                      | 12                  |                 |         |                 |                       | 2                             |                              |
|                      | 15                  |                 |         |                 |                       | 3                             |                              |
| 0.6                  | 5                   | 400             | 49      | 200k            | 5                     | 1.2                           | 0                            |
|                      | 10                  |                 |         |                 |                       | 2                             |                              |
|                      | 12                  |                 |         |                 |                       | 2                             |                              |
|                      | 15                  |                 |         |                 |                       | 3                             |                              |
| 0.75                 | 5                   | 400             | 49      | 200k            | 5                     | 1.2                           | 0                            |
|                      | 10                  |                 |         |                 |                       | 3                             |                              |
|                      | 12                  |                 |         |                 |                       | 3                             |                              |
|                      | 15                  |                 |         |                 |                       | open                          |                              |
| 0.9                  | 5                   | 400             | 49      | 200k            | 5                     | 1.2                           | 0                            |
|                      | 10                  |                 |         |                 |                       | 3                             |                              |
|                      | 12                  |                 |         |                 |                       | open                          |                              |
|                      | 15                  |                 |         |                 |                       | open                          |                              |
| 1                    | 5                   | 400             | 49      | 200k            | 5                     | 1.2                           | 0                            |
|                      | 10                  |                 |         |                 |                       | 3                             |                              |
|                      | 12                  |                 |         |                 |                       | open                          |                              |
|                      | 15                  |                 |         |                 |                       | open                          |                              |
| 1.2                  | 5                   | 400             | 26      | 200k            | 5                     | 1.2                           | 0                            |
|                      | 10                  |                 |         |                 |                       | 3                             |                              |
|                      | 12                  |                 |         |                 |                       | open                          |                              |
|                      | 15                  |                 |         |                 |                       | open                          |                              |
| 1.5                  | 5                   | 500             | 26      | 200k            | 5                     | 1.2                           | 0                            |
|                      | 10                  |                 |         |                 |                       | 3                             |                              |
|                      | 12                  |                 |         |                 |                       | open                          |                              |
|                      | 15                  |                 |         |                 |                       | open                          |                              |
| 1.8                  | 5                   | 500             | 26      | 200k            | 5                     | 1.2                           | 0                            |
|                      | 10                  |                 |         |                 |                       | 3                             |                              |
|                      | 12                  |                 |         |                 |                       | open                          |                              |
|                      | 15                  |                 |         |                 |                       | open                          |                              |

Table 2. ISL8282M Design Guide Matrix of Typical Applications (Continued)

| V <sub>OUT</sub> (V) | V <sub>IN</sub> (V) | Frequency (kHz) | AV Gain | RR (Ω) | TCOMP (°C) | R <sub>14</sub> (MΩ) | R <sub>35</sub> (Ω)            |
|----------------------|---------------------|-----------------|---------|--------|------------|----------------------|--------------------------------|
| 2.5                  | 5                   | 600             | 26      | 200k   | 5          | 1.2                  | 0                              |
|                      | 10                  |                 |         |        |            | 3                    |                                |
|                      | 12                  |                 |         |        |            | open                 |                                |
|                      | 15                  |                 |         |        |            | open                 |                                |
| 3.3                  | 5.5                 | 700             | 26      | 200k   | 5          | 1.2                  | 0                              |
|                      | 10                  |                 |         |        |            | 3                    |                                |
|                      | 12                  |                 |         |        |            | open                 |                                |
|                      | 15                  |                 |         |        |            | open                 | 121 ( <a href="#">Note 4</a> ) |
| 5                    | 8                   | 850             | 26      | 200k   | 5          | 0.909                | 0                              |
|                      | 10                  |                 |         |        |            | 1.2                  |                                |
|                      | 12                  |                 |         |        |            | 4.02                 | 121 ( <a href="#">Note 4</a> ) |
|                      | 15                  |                 |         |        |            | open                 |                                |

Note:

- A 121Ω resistor is needed only when OCP behavior is set to Retry. When a 121Ω resistor is connected between VIN and VIN1, the READ\_VIN command in PowerNavigator reads back the V<sub>IN1</sub> voltage.

## 2. Specifications

### 2.1 Absolute Maximum Ratings

| Parameter  | Minimum       | Maximum        | Unit |
|--|---------------|----------------|------|
| $V_{DD}$ , PVCC, $V_{SEN}$                         | -0.3          | +7             | V    |
| Module Input Voltage, $V_{IN}$                     | -0.3          | +20            | V    |
| Module Input Voltage, $V_{IN1}$                    | -0.3          | +20            | V    |
| 7VLDO  | -0.3          | +7.75          | V    |
| Output Voltage, $V_{OUT}$                          | -0.3          | +5.5           | V    |
| BOOT Voltage ( $V_{BOOT-GND}$ )                    | -0.3          | +30            | V    |
| BOOT to PHASE Voltage ( $V_{BOOT-PHASE}$ ) (DC)    | -0.3          | +7             | V    |
| BOOT to PHASE Voltage ( $V_{BOOT-PHASE}$ ) (<10ns) | -0.3          | +9             | V    |
| PHASE Voltage                                      | -0.3          | +25            | V    |
| PHASE Voltage (<20ns Pulse Width, 10 $\mu$ J)      | -9            | +25            | V    |
| All Other Pins                                     | -0.3 to GND   | $V_{DD} + 0.3$ | V    |
| ESD Rating   | Value         |                | Unit |
| Machine Model (Tested per JESD22-A115C)            | 200           |                | V    |
| Charged Device Model (Tested per JS-002-2014)      | 750           |                | V    |
| Human Body Model (Tested per JS-001-2017)          | 2             |                | kV   |
| Latch-Up (Tested per JESD78E; Class 2, Level A)    | 100 at +125°C |                | mA   |

CAUTION: Do not operate at or near the maximum ratings listed for extended periods of time. Exposure to such conditions can adversely impact product reliability and result in failures not covered by warranty.

### 2.2 Thermal Information

| Thermal Resistance (Typical)  | $\theta_{JA}$ (°C/W) | $\theta_{JC}$ (°C/W) |
|-------------------------------|----------------------|----------------------|
| 83 Ld HDA Module (Notes 5, 6) | 16.8                 | 5.6                  |

Notes:

- $\theta_{JA}$  is measured in free air with the module mounted on a 6-layer thermal test board 3 x 3.4 inches in size with significant coverage of 2oz Cu on all layers, with numerous vias.
- For  $\theta_{JC}$ , the "case temp" location is the center of the package underside.

| Parameter                  | Minimum                                  | Maximum | Unit |
|----------------------------|--|---------|------|
| Junction Temperature Range | -55                                      | +150    | °C   |
| Storage Temperature Range  | -65                                      | +150    | °C   |
| Pb-Free Reflow Profile     | See <a href="#">Figure 52 on page 48</a> |         |      |

## 2.3 Recommended Operating Conditions

| Parameter   | Minimum | Maximum | Unit |
|---|---------|---------|------|
| Junction Temperature Range                                    | -40     | +125    | °C   |
| Wide Range Input Voltage, $V_{IN}$ , <a href="#">Figure 1</a> | 4.5     | 16.5    | V    |
| Output Voltage, $V_{OUT}$ , <a href="#">Figure 1</a>          | 0.5     | 5       | V    |
| Output Current, $I_{OUT}$ , <a href="#">Figure 1</a>          | 0       | 15      | A    |

## 2.4 Electrical Specifications

All typical specifications  $T_A = +25^\circ\text{C}$ ,  $V_{IN} = 12\text{V}$ ,  $V_{IN1} = 12\text{V}$ ,  $V_{OUT} = 1\text{V}$ . **Boldface limits apply across the junction temperature range,  $-40^\circ\text{C}$  to  $+125^\circ\text{C}$  ([Note 7](#)), unless otherwise stated.**

| Parameter  | Symbol               | Test Conditions   | Min<br>( <a href="#">Note 8</a> ) | Typ         | Max<br>( <a href="#">Note 8</a> ) | Unit          |
|--|----------------------|---|-----------------------------------|-------------|-----------------------------------|---------------|
| <b><math>V_{IN}</math> and <math>V_{IN1}</math> Supply</b>       |                      |   |                                   |             |                                   |               |
| Input Voltage Range  | $V_{IN}$             |   | <b>4.5</b>                        |             | <b>16.5</b>                       | V             |
|  | $V_{IN1}$            |   | <b>4.5</b>                        |             | <b>16.5</b>                       | V             |
| Input Voltage Read Back Resolution                               | $V_{IN\_READ\_RES}$  | <a href="#">(Note 4)</a>  |                                   | 62.5        |                                   | mV            |
| <b><math>V_{IN}</math> Supply Current</b>                        |                      |   |                                   |             |                                   |               |
| Input Supply Current in PFM mode Operation                       | $I_{S(PFM)}$         | PFM mode, $V_{IN} = 12\text{V}$ , $V_{OUT} = 1\text{V}$ , $I_{OUT} = 0\text{A}$               |                                   | 0.2         |                                   | mA            |
| Input Supply Current in PWM mode Operation                       | $I_{S(PWM)}$         | PWM mode, $V_{IN} = 12\text{V}$ , $V_{OUT} = 1\text{V}$ , $I_{OUT} = 0\text{A}$               |                                   | 35          |                                   | mA            |
| Input Supply Current in PWM mode Operation                       | $I_{S(PWM)}$         | PWM mode, $V_{IN} = 12\text{V}$ , $V_{OUT} = 1\text{V}$ , $I_{OUT} = 15\text{A}$              |                                   | 1.49        |                                   | A             |
| Input Supply Current in Shutdown                                 | $I_{S(SHUTDOWN)}$    | Shutdown  |                                   | 0.05        |                                   | $\mu\text{A}$ |
| <b><math>V_{IN1}</math> Supply Current</b>                       |                      |   |                                   |             |                                   |               |
| Shutdown Current   | $I_{VIN1Q}$          | EN = 0, PGOOD is floating, $V_{IN1} = 12\text{V}$   |                                   | 14.5        | <b>17</b>                         | mA            |
| Operating Current  | $I_{VIN1OP}$         | PGOOD is floating, $V_{IN1} = 12\text{V}$   |                                   | 19          | <b>25</b>                         | mA            |
| <b><math>V_{DD}</math> and <math>V_{IN}</math> POR Threshold</b> |                      |   |                                   |             |                                   |               |
| $V_{DD}$ , PVCC Rising POR Threshold Voltage                     |                      |   |                                   | 4.2         | 4.35                              | V             |
| $V_{DD}$ , PVCC Falling POR Threshold Voltage                    |                      |   | <b>3.8</b>                        | 3.95        | <b>4.15</b>                       | V             |
| $V_{IN}$ , 7VLDO Rising POR Threshold Voltage                    |                      |   |                                   | 4.2         | <b>4.35</b>                       | V             |
| $V_{IN}$ , 7VLDO Falling POR Threshold Voltage                   |                      |   | <b>3.8</b>                        | 3.95        | <b>4.15</b>                       | V             |
| <b>Output Regulation</b>   |                      |   |                                   |             |                                   |               |
| Output Continuous Current Range                                  | $I_{OUT}$            | <a href="#">(Note 9)</a>  | <b>0</b>                          |             | <b>15</b>                         | A             |
| Output Current Read Back Resolution                              | $I_{OUT\_READ\_RES}$ |   |                                   | 0.125       |                                   | A             |
| Output Current Read Back Total Error                             | $I_{OUT\_READ\_ERR}$ | READ_IOUT, $V_{IN}$ from 4.5V to 16.5V, $V_{OUT}$ from 0.5V to 5V ( <a href="#">Note 10</a> ) |                                   | $\pm 0.875$ |                                   | A             |
| Output Voltage Range   | $V_{OUT\_RANGE}$     |   | <b>0.5</b>                        |             | <b>5</b>                          | V             |
| Output Voltage Read Back Resolution                              | $V_{OUT\_READ\_RES}$ | <a href="#">(Note 11)</a>   |                                   | 7.8125      |                                   | mV            |

All typical specifications  $T_A = +25^\circ\text{C}$ ,  $V_{IN} = 12\text{V}$ ,  $V_{IN1} = 12\text{V}$ ,  $V_{OUT} = 1\text{V}$ . **Boldface limits apply across the junction temperature range,  $-40^\circ\text{C}$  to  $+125^\circ\text{C}$  (Note 7), unless otherwise stated. (Continued)**

| Parameter                            | Symbol                                | Test Conditions   | Min (Note 8) | Typ  | Max (Note 8) | Unit              |
|--------------------------------------|---------------------------------------|---|--------------|------|--------------|-------------------|
| Output Voltage Set-Point Accuracy    |                                       | $0.5\text{V} \leq V_{OUT} \leq 0.75\text{V}$ , total variation with line, load, and temperature ( $-40^\circ\text{C} \leq T_J \leq +125^\circ\text{C}$ )  | <b>-12.5</b> |      | <b>+12.5</b> | mV                |
|                                      |                                       | $0.75\text{V} \leq V_{OUT} \leq 0.9\text{V}$ , total variation with line, load, and temperature ( $-40^\circ\text{C} \leq T_J \leq +125^\circ\text{C}$ )  | <b>-15</b>   |      | <b>+15</b>   | mV                |
|                                      |                                       | $0.9\text{V} \leq V_{OUT} \leq 5\text{V}$ , total variation with line, load, and temperature ( $-40^\circ\text{C} \leq T_J \leq +125^\circ\text{C}$ )     | <b>-1.5</b>  |      | <b>+1.5</b>  | %                 |
| Line Regulation                      | $\frac{\Delta V_{OUT}}{V_{OUT\_SET}}$ | $V_{OUT} = 1\text{V}$ , $V_{IN}$ from 4.5V to 16.5V, $I_L = 0\text{A}$  | <b>-1.2</b>  |      | <b>+1.2</b>  | %                 |
|                                      |                                       | $V_{OUT} = 1.8\text{V}$ , $V_{IN}$ from 4.5V to 16.5V, $I_L = 0\text{A}$  | <b>-1.2</b>  |      | <b>+1.2</b>  | %                 |
| Load Regulation                      | $\frac{\Delta V_{OUT}}{V_{OUT\_SET}}$ | From 0A to 15A, $V_{IN} = 5\text{V}/12\text{V}$ , $V_{OUT} = 1\text{V}$   | <b>-1.2</b>  |      | <b>+1.2</b>  | %                 |
|                                      |                                       | From 0A to 15A, $V_{IN} = 5\text{V}/12\text{V}$ , $V_{OUT} = 1.8\text{V}$   | <b>-1.2</b>  |      | <b>+1.2</b>  | %                 |
| Output Ripple Voltage                | $V_{OUT(AC)}$                         | $V_{IN} = 12\text{V}$ , $V_{OUT} = 1\text{V}$ , $I_{OUT} = 15\text{A}$ , 4x220 $\mu\text{F}$ ceramic capacitor  |              | 8    |              | mV <sub>P-P</sub> |
| <b>Dynamic Characteristics</b>       |                                       |   |              |      |              |                   |
| Voltage Change of Positive Load Step | $V_{OUT\_DP}$                         | Current slew rate = 2.5A/ $\mu\text{s}$ , $V_{IN} = 12\text{V}$ , 4x220 $\mu\text{F}$ ceramic capacitor $V_{OUT} = 1\text{V}$ , $I_{OUT}$ from 0A to 7.5A |              | 10   |              | mV                |
| Voltage Change of Negative Load Step | $V_{OUT\_DN}$                         | Current slew rate = 2.5A/ $\mu\text{s}$ , $V_{IN} = 12\text{V}$ , 4x220 $\mu\text{F}$ ceramic capacitor $V_{OUT} = 1\text{V}$ , $I_{OUT}$ from 7.5A to 0A |              | 10   |              | mV                |
| <b>Enable Input</b>                  |                                       |   |              |      |              |                   |
| EN High Threshold Voltage            | $V_{ENTHR}$                           |   | <b>0.81</b>  | 0.84 | <b>0.87</b>  | V                 |
| EN Low Threshold Voltage             | $V_{ENTHF}$                           |   | <b>0.71</b>  | 0.76 | <b>0.81</b>  | V                 |
| <b>Channel Frequency</b>             |                                       |   |              |      |              |                   |
| 300kHz Configuration                 |                                       | PWM mode  | <b>255</b>   | 300  | <b>340</b>   | kHz               |
| 400kHz Configuration                 |                                       |   | <b>340</b>   | 400  | <b>455</b>   | kHz               |
| 500kHz Configuration                 |                                       |   | <b>425</b>   | 500  | <b>565</b>   | kHz               |
| 600kHz Configuration                 |                                       |   | <b>510</b>   | 600  | <b>680</b>   | kHz               |
| 700kHz Configuration                 |                                       |   | <b>600</b>   | 700  | <b>790</b>   | kHz               |
| 850kHz Configuration                 |                                       |   | <b>720</b>   | 850  | <b>960</b>   | kHz               |
| 1000kHz Configuration                |                                       |   | <b>855</b>   | 1000 | <b>1130</b>  | kHz               |

All typical specifications  $T_A = +25^\circ\text{C}$ ,  $V_{IN} = 12\text{V}$ ,  $V_{IN1} = 12\text{V}$ ,  $V_{OUT} = 1\text{V}$ . **Boldface limits apply across the junction temperature range,  $-40^\circ\text{C}$  to  $+125^\circ\text{C}$  (Note 7), unless otherwise stated. (Continued)**

| Parameter                          | Symbol    | Test Conditions   | Min<br>(Note 8) | Typ   | Max<br>(Note 8) | Unit              |
|------------------------------------|-----------|---|-----------------|-------|-----------------|-------------------|
| <b>Soft-Start</b>                  |           |   |                 |       |                 |                   |
| Soft-Start Slew Rate               |           |   | <b>0.125</b>    | 0.157 | <b>0.18</b>     | mV/ $\mu\text{s}$ |
|                                    |           |   | <b>0.25</b>     | 0.315 | <b>0.37</b>     | mV/ $\mu\text{s}$ |
|                                    |           |   | <b>0.52</b>     | 0.625 | <b>0.7</b>      | mV/ $\mu\text{s}$ |
|                                    |           |   | <b>1</b>        | 1.25  | <b>1.4</b>      | mV/ $\mu\text{s}$ |
|                                    |           |   | <b>2</b>        | 2.5   | <b>2.8</b>      | mV/ $\mu\text{s}$ |
|                                    |           |   | <b>4.1</b>      | 5     | <b>5.6</b>      | mV/ $\mu\text{s}$ |
|                                    |           |   | <b>8.4</b>      | 10    | <b>10.9</b>     | mV/ $\mu\text{s}$ |
| Soft-Start Delay from Enable High  |           | Excluding 5.5ms POR timeout. See <a href="#">Figures 47</a> and <a href="#">48</a> on <a href="#">page 39</a> | <b>140</b>      | 200   | <b>260</b>      | $\mu\text{s}$     |
| <b>Remote Sense</b>                |           |   |                 |       |                 |                   |
| Bias Current of VSEN and RGND Pins |           |   |                 |       | <b>250</b>      | $\mu\text{A}$     |
| Maximum Differential Input Voltage |           |   | <b>5.8</b>      |       |                 | V                 |
| <b>Power-Good</b>                  |           |   |                 |       |                 |                   |
| PGOOD Pull-Down Impedance          | $R_{PG}$  | PGOOD = 5mA sink  |                 | 10    | <b>50</b>       | $\Omega$          |
| PGOOD Leakage Current              | $I_{PG}$  | PGOOD = 5V  |                 |       | <b>1</b>        | $\mu\text{A}$     |
| <b>LDOs</b>                        |           |   |                 |       |                 |                   |
| 5V LDO Regulation                  |           | $V_{IN} = 12\text{V}$ , load = 50mA   | <b>4.8</b>      | 5     | <b>5.15</b>     | V                 |
| 5V LDO Regulation                  |           | $V_{IN} = 4.75\text{V}$ , load = 50mA   | <b>4.15</b>     |       |                 | V                 |
| 5V LDO Maximum Current Capability  |           |   | <b>100</b>      |       |                 | mA                |
| 7V LDO Regulation                  |           | 250 $\mu\text{A}$ load  | <b>7.15</b>     | 7.4   | <b>7.5</b>      |                   |
| 7V Dropout                         |           | $V_{IN} = 4.75\text{V}$ , 250 $\mu\text{A}$ load  | <b>4.3</b>      |       |                 | V                 |
| 7V LDO Current Capability          |           | Not recommended for external use  | <b>2</b>        |       |                 | mA                |
| <b>Current Sense</b>               |           |   |                 |       |                 |                   |
| OCP                                | $I_{OCP}$ | $V_{IN} = 12\text{V}$ , $V_{OUT} = 1\text{V}$   | <b>15</b>       | 18.8  |                 | A                 |
| Maximum Common-Mode Input Voltage  |           | $7\text{VLDO} = 7.4\text{V}$  | <b>5.7</b>      |       |                 | V                 |
|                                    |           | $V_{DD} = \text{PVCC} = 7\text{VLDO} = 4.5\text{V}$   | <b>2.8</b>      |       |                 | V                 |
| <b>Fault Protection</b>            |           |   |                 |       |                 |                   |
| UVP Threshold Voltage              |           | $0.5\text{V} \leq V_{OUT} \leq 0.7\text{V}$   | <b>67</b>       | 74    | <b>88</b>       | $\%V_{OUT}$       |
|                                    |           | $0.7\text{V} \leq V_{OUT} < 1\text{V}$  | <b>68</b>       | 74    | <b>85</b>       | $\%V_{OUT}$       |
|                                    |           | $1\text{V} \leq V_{OUT} < 1.5\text{V}$  | <b>68</b>       | 74    | <b>82</b>       | $\%V_{OUT}$       |
|                                    |           | $1.5\text{V} \leq V_{OUT} \leq 5\text{V}$   | <b>68</b>       | 74    | <b>80</b>       | $\%V_{OUT}$       |
| Startup OVP Threshold Voltage      |           | $0\text{V} \leq V_{OUT} \leq 1.08\text{V}$  | <b>1.1</b>      | 1.15  | <b>1.25</b>     | V                 |
|                                    |           | $1.08\text{V} < V_{OUT} \leq 1.55\text{V}$  | <b>1.58</b>     | 1.65  | <b>1.75</b>     | V                 |
|                                    |           | $1.55\text{V} < V_{OUT} \leq 1.85\text{V}$  | <b>1.88</b>     | 1.95  | <b>2.05</b>     | V                 |
|                                    |           | $1.85\text{V} < V_{OUT} \leq 2.08\text{V}$  | <b>2.09</b>     | 2.15  | <b>2.25</b>     | V                 |
|                                    |           | $2.08\text{V} < V_{OUT} \leq 2.53\text{V}$  | <b>2.56</b>     | 2.65  | <b>2.75</b>     | V                 |
|                                    |           | $2.53\text{V} < V_{OUT} \leq 3.33\text{V}$  | <b>3.36</b>     | 3.45  | <b>3.6</b>      | V                 |
|                                    |           | $3.33\text{V} < V_{OUT} \leq 5\text{V}$   | <b>5.52</b>     | 5.65  | <b>5.85</b>     | V                 |

All typical specifications  $T_A = +25^\circ\text{C}$ ,  $V_{IN} = 12\text{V}$ ,  $V_{IN1} = 12\text{V}$ ,  $V_{OUT} = 1\text{V}$ . **Boldface limits apply across the junction temperature range,  $-40^\circ\text{C}$  to  $+125^\circ\text{C}$  (Note 7), unless otherwise stated. (Continued)**

| Parameter                                    | Symbol      | Test Conditions                              | Min (Note 8) | Typ   | Max (Note 8) | Unit          |
|--|-------------|--|--------------|-------|--------------|---------------|
| Startup OVP Hysteresis                       |             |  |              | 100   |              | mV            |
| OVP Rising Threshold Voltage                 | $V_{OVRTH}$ | $0.5\text{V} \leq V_{OUT} \leq 0.7\text{V}$  | <b>111</b>   | 120   | <b>136</b>   | % $V_{OUT}$   |
|  |             | $0.7\text{V} \leq V_{OUT} < 1\text{V}$       | <b>113</b>   | 120   | <b>132</b>   | % $V_{OUT}$   |
|  |             | $1\text{V} \leq V_{OUT} < 1.5\text{V}$       | <b>114</b>   | 120   | <b>128</b>   | % $V_{OUT}$   |
|  |             | $1.5\text{V} \leq V_{OUT} \leq 5\text{V}$    | <b>114</b>   | 120   | <b>127</b>   | % $V_{OUT}$   |
| OVP Falling Threshold Voltage                | $V_{OVFTH}$ | $0.5\text{V} \leq V_{OUT} \leq 0.7\text{V}$  | <b>93</b>    | 100   | <b>115</b>   | % $V_{OUT}$   |
|  |             | $0.7\text{V} \leq V_{OUT} < 1\text{V}$       | <b>95</b>    | 100   | <b>111</b>   | % $V_{OUT}$   |
|  |             | $1\text{V} \leq V_{OUT} < 1.5\text{V}$       | <b>96</b>    | 100   | <b>109</b>   | % $V_{OUT}$   |
|  |             | $1.5\text{V} \leq V_{OUT} \leq 5\text{V}$    | <b>96</b>    | 100   | <b>108</b>   | % $V_{OUT}$   |
| Over-Temperature Shutdown Threshold          |             | $22.31\%V_{DD}$ ( $\sim+136^\circ\text{C}$ ) | <b>20</b>    | 22.31 | <b>26</b>    | % $V_{DD}$    |
| Over-Temperature Shutdown Reset Threshold    |             | $27.79\%V_{DD}$ ( $\sim+122^\circ\text{C}$ ) | <b>25</b>    | 27.79 | <b>30</b>    | % $V_{DD}$    |
| <b>SMBus/PMBus/I<sup>2</sup>C (Note 12)</b>  |             |  |              |       |              |               |
| Signal Input Low Voltage                     |             |  |              |       | <b>1</b>     | V             |
| Signal Input High Voltage                    |             |  | <b>1.6</b>   |       |              | V             |
| Signal Output Low Voltage                    |             | 4mA pull-up current                          |              |       | <b>0.4</b>   | V             |
| DATE, ALERT # Pull-Down Impedance            |             |  |              | 11    | <b>50</b>    | $\Omega$      |
| CLOCK Maximum Speed                          |             |  | <b>1.25</b>  |       |              | MHz           |
| CLOCK Minimum Speed                          |             |  |              |       | <b>0.05</b>  | MHz           |
| Telemetry Update Rate                        |             |  |              | 108   |              | $\mu\text{s}$ |
| Timeout                                      |             |  | <b>25</b>    | 30    | <b>35</b>    | ms            |
| PMBus Accessible Timeout from All Rails' POR |             | See <a href="#">Figure 47 on page 39</a>     |              | 5.5   | <b>6.5</b>   | ms            |

Notes:

- The ISL8282M is tested under pulsed-load conditions such that  $T_J \approx T_A$ .
- Compliance to datasheet limits is assured by one or more methods: production test, characterization, and/or design.
- See output current derating curves for different  $V_{OUT}$  and  $T_A$  located ["Derating Curves" on page 21](#).
- See [Table 2 on page 9](#).
- When  $0.5\text{V} \leq V_{OUT} \leq 1.8\text{V}$ , the output voltage read back resolution is 7.8125mV. When  $V_{OUT} > 1.8\text{V}$ , the resolution can be higher than that from adjacent codes. However, the resolution is always 7.8125mV around typical  $V_{OUT}$ , as in [Table 8 on page 28](#).
- Limits apply across the junction temperature range of  $-40^\circ\text{C}$  to  $+85^\circ\text{C}$ .

### 3. Typical Performance Curves

#### 3.1 Efficiency Performance

Operating conditions:  $T_A=25^{\circ}\text{C}$ , no air flow, PWM mode. Typical values are used unless otherwise noted. The efficiency curves were measured on the evaluation board. For the test conditions, see [Table 2 on page 9](#).

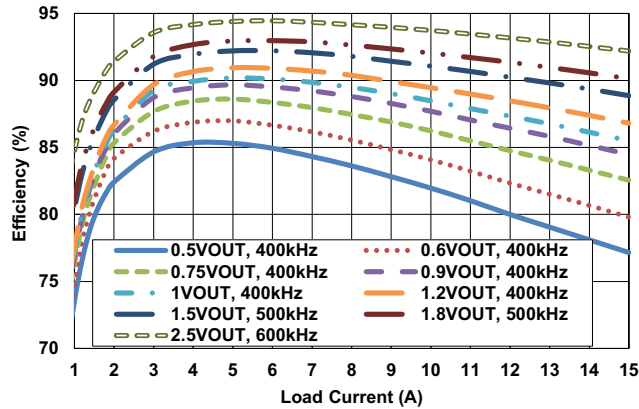


Figure 3. Efficiency vs Load Current at  $5V_{IN}$  (PWM)

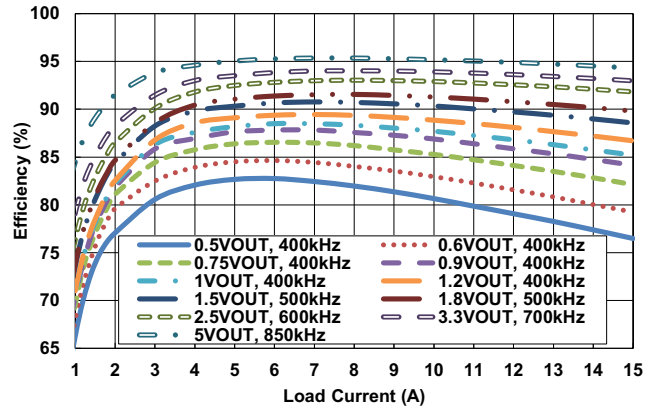


Figure 4. Efficiency vs Load Current at  $8V_{IN}$  (PWM)

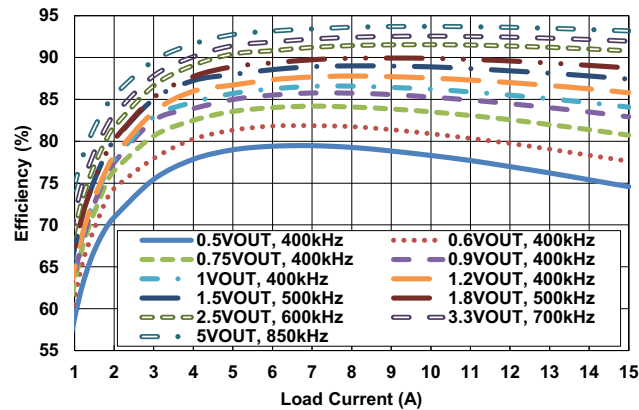


Figure 5. Efficiency vs Load Current at  $12V_{IN}$  (PWM)

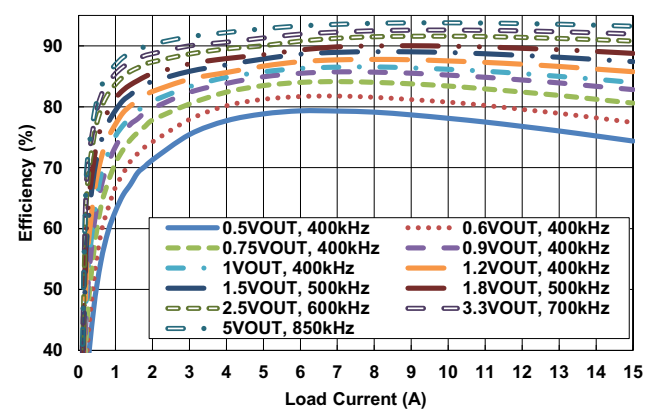


Figure 6. Efficiency vs Load Current at  $12V_{IN}$  (PFM)



### 3.2 Output Voltage Ripple

Operating conditions:  $T_A = +25^\circ\text{C}$ , no air flow, PWM mode,  $C_{OUT} = 4 \times 220\mu\text{F}$  Ceramic,  $RR = 200\text{k}\Omega$ . Typical values are used unless otherwise noted. For the test conditions, see [Table 2 on page 9](#).

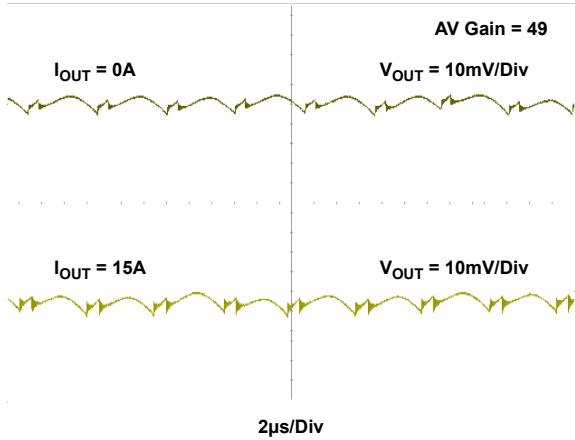


Figure 7. Output Ripple at  $5V_{IN}$  and  $0.75V_{OUT}$

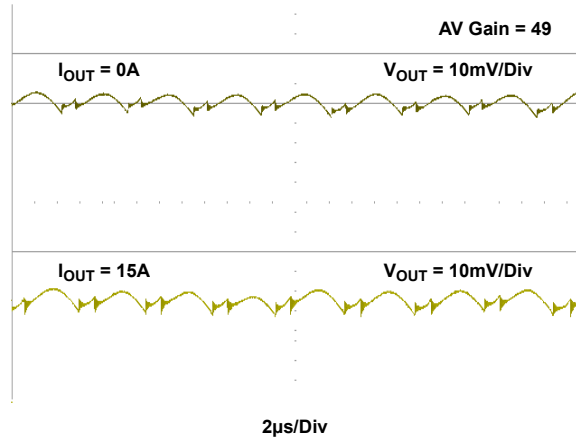


Figure 8. Output Ripple at  $5V_{IN}$  and  $1V_{OUT}$

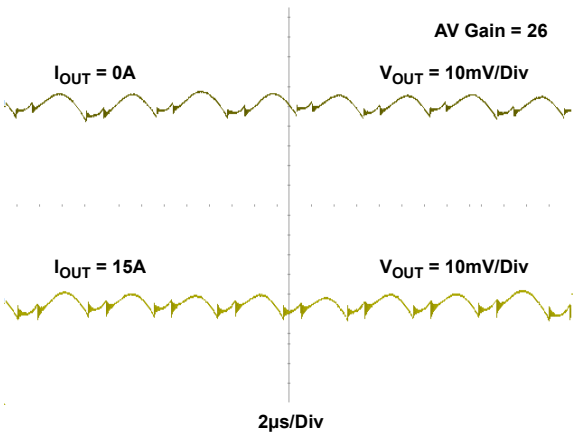


Figure 9. Output Ripple at  $5V_{IN}$  and  $1.2V_{OUT}$

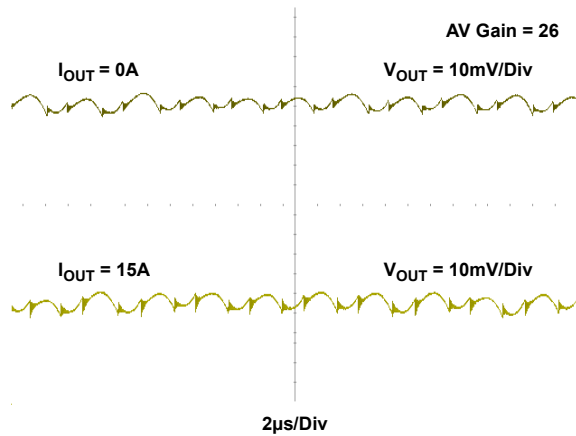


Figure 10. Output Ripple at  $5V_{IN}$  and  $1.8V_{OUT}$

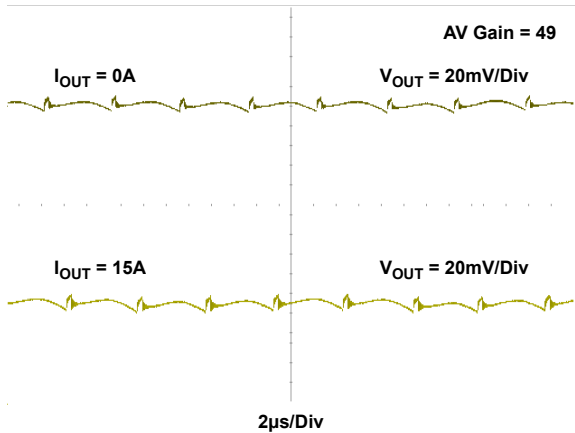


Figure 11. Output Ripple at  $12V_{IN}$  and  $0.75V_{OUT}$

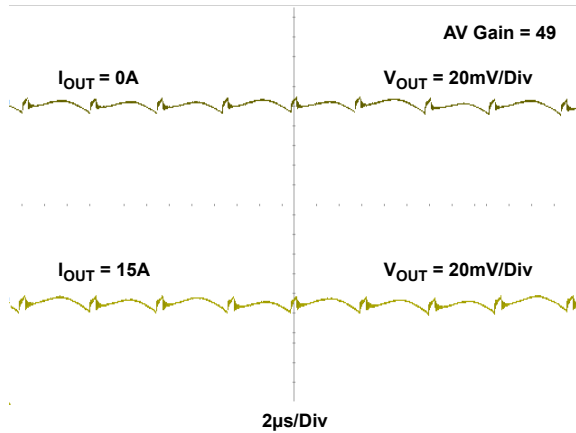


Figure 12. Output Ripple at  $12V_{IN}$  and  $1V_{OUT}$

Operating conditions:  $T_A = +25^\circ\text{C}$ , no air flow, PWM mode,  $C_{OUT} = 4 \times 220\mu\text{F}$  Ceramic,  $RR = 200\text{k}\Omega$ . Typical values are used unless otherwise noted. For the test conditions, see [Table 2 on page 9](#). (Continued)

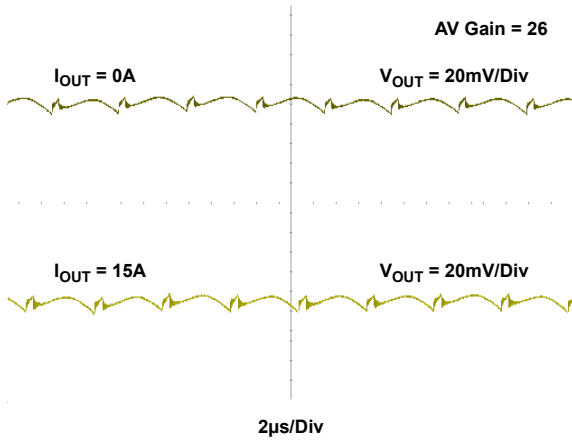


Figure 13. Output Ripple at  $12\text{V}_{IN}$  and  $1.2\text{V}_{OUT}$

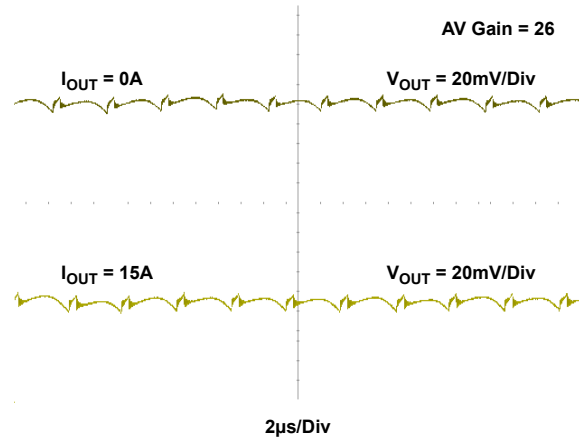


Figure 14. Output Ripple at  $12\text{V}_{IN}$  and  $1.5\text{V}_{OUT}$

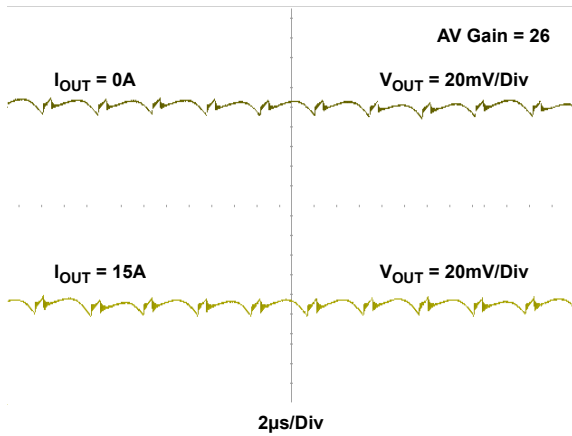


Figure 15. Output Ripple at  $12\text{V}_{IN}$  and  $1.8\text{V}_{OUT}$

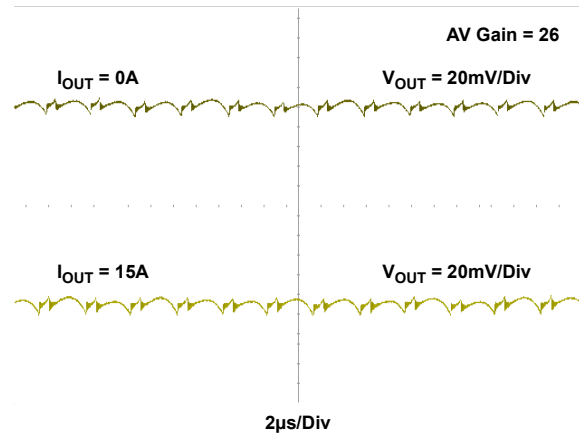


Figure 16. Output Ripple at  $12\text{V}_{IN}$  and  $2.5\text{V}_{OUT}$

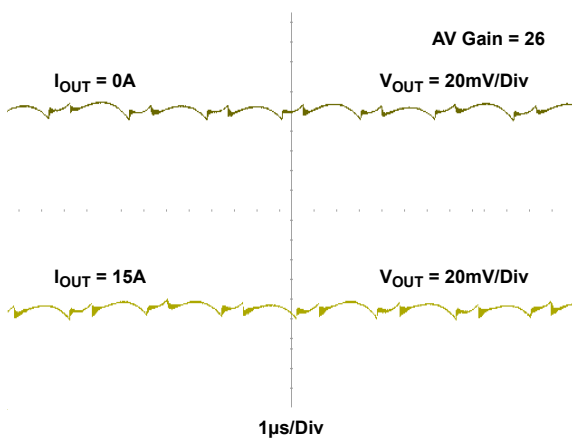


Figure 17. Output Ripple at  $12\text{V}_{IN}$  and  $3.3\text{V}_{OUT}$

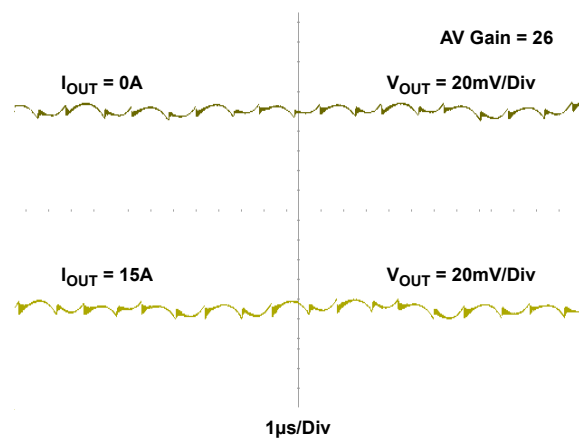


Figure 18. Output Ripple at  $12\text{V}_{IN}$  and  $5\text{V}_{OUT}$

### 3.3 Load Transient Response Performance

Operating conditions:  $T_A = +25^\circ\text{C}$ , no air flow,  $V_{IN} = 12\text{V}$ , PWM mode,  $C_{OUT} = 4 \times 220\mu\text{F}$  Ceramic, 0A to 7.5A step load at  $7.5\text{A}/\mu\text{s}$  slew rate,  $RR = 200\text{k}\Omega$ . Typical values are used unless otherwise noted. For the test conditions, see [Table 2 on page 9](#).

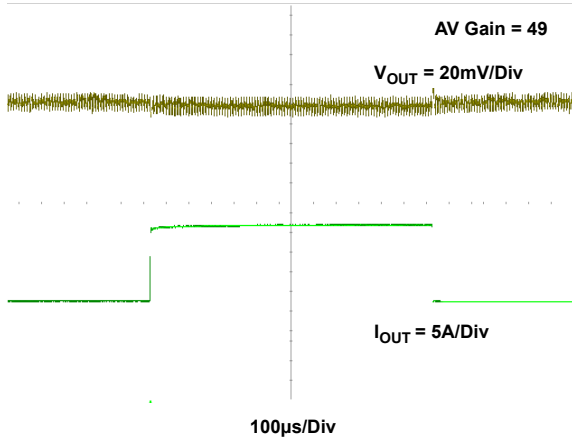


Figure 19. Load Transient Response at  $0.75V_{OUT}$

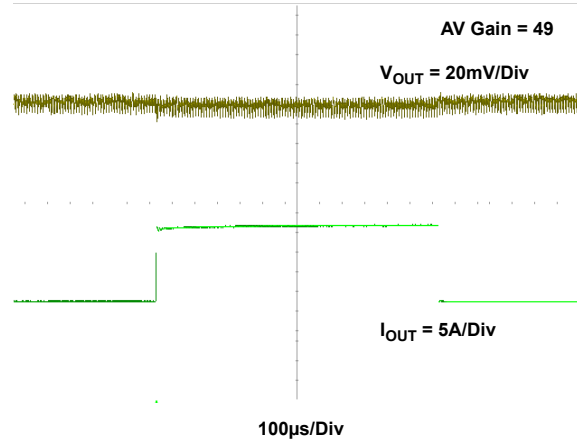


Figure 20. Load Transient Response at  $1V_{OUT}$

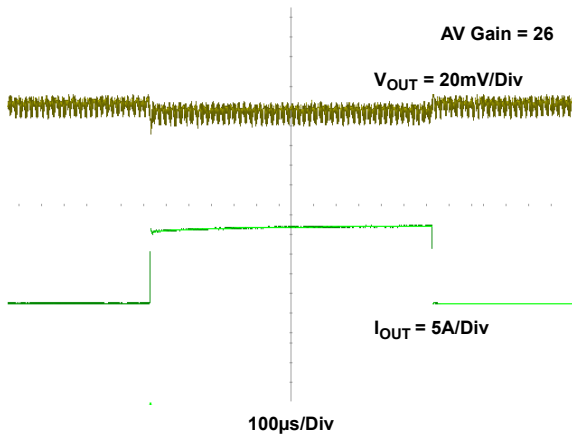


Figure 21. Load Transient Response at  $1.8V_{OUT}$

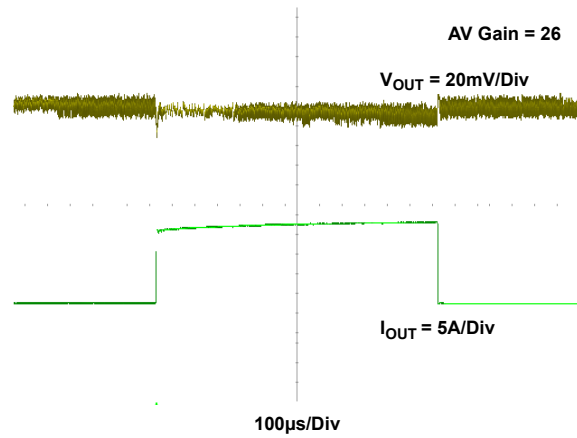


Figure 22. Load Transient Response at  $2.5V_{OUT}$

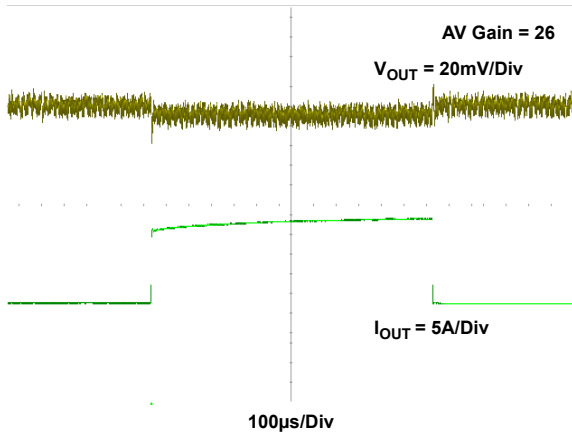


Figure 23. Load Transient Response at  $3.3V_{OUT}$

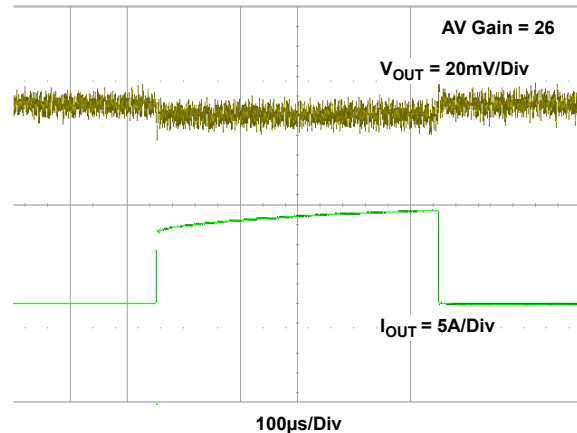


Figure 24. Load Transient Response at  $5V_{OUT}$

### 3.4 Startup and Shutdown

Operating conditions:  $T_A = +25^\circ\text{C}$ , no air flow,  $V_{IN} = 12\text{V}$ ,  $V_{OUT} = 1\text{V}$ , PWM mode. Typical values are used unless otherwise noted. For the test conditions, see [Table 2 on page 9](#).

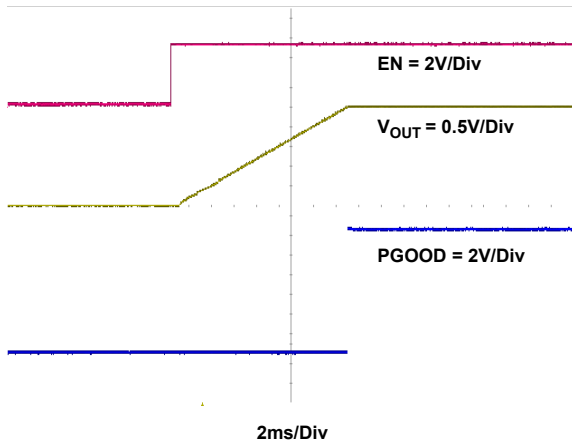


Figure 25. Startup Waveform at  $I_{OUT} = 0\text{A}$

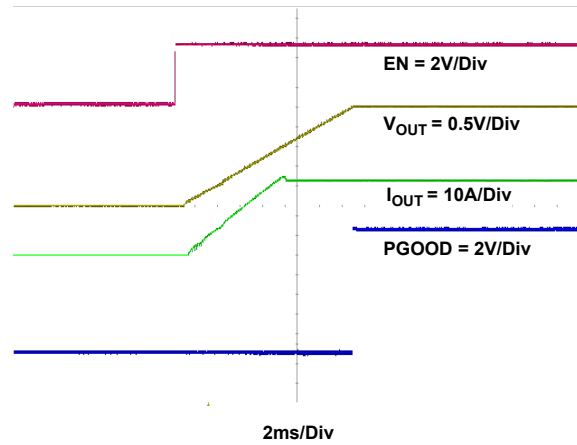


Figure 26. Startup Waveform at  $I_{OUT} = 15\text{A}$

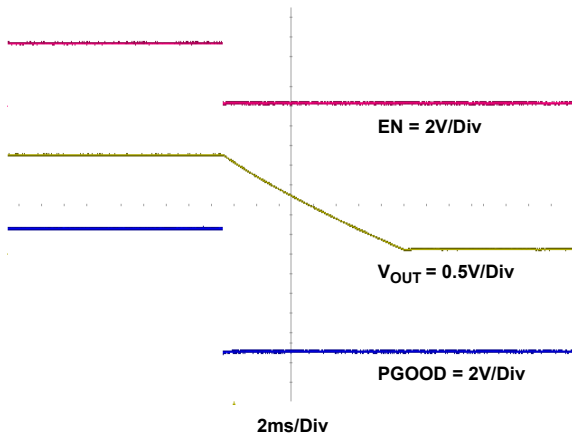


Figure 27. Shutdown Waveform at  $I_{OUT} = 0\text{A}$

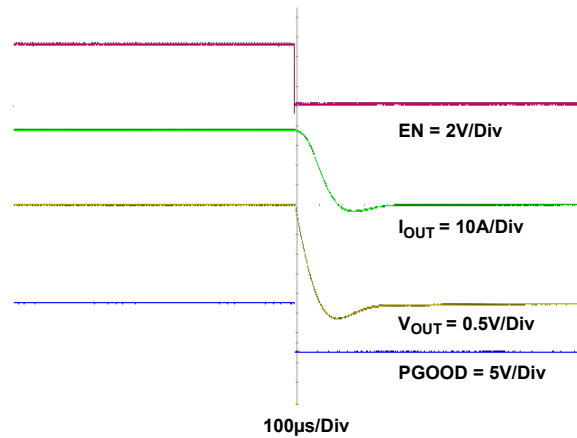


Figure 28. Shutdown Waveform at  $I_{OUT} = 15\text{A}$

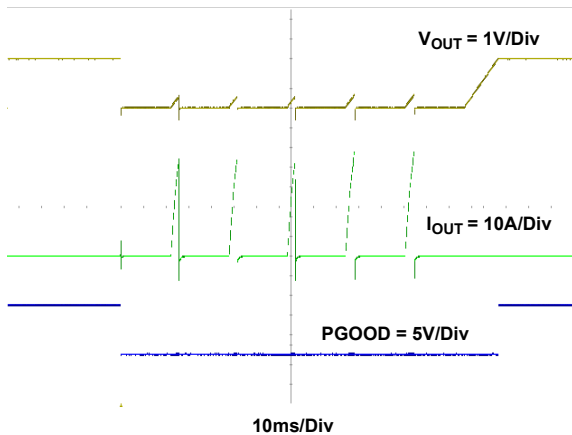


Figure 29. OCP Response; Output Short-Circuited from No Load to Ground and Released at  $I_{OUT} = 0\text{A}$

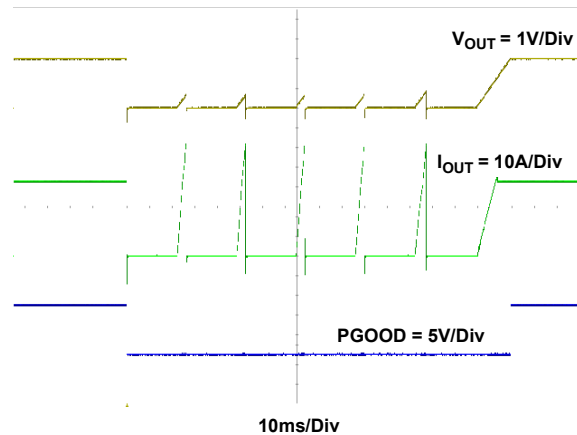


Figure 30. OCP Response; Output Short-Circuited from No Load to Ground and Released at  $I_{OUT} = 15\text{A}$

### 3.5 Derating Curves

Operating conditions:  $V_{IN} = 12V$ , PWM mode. All of the following curves were plotted at  $T_J = +125^{\circ}C$ . The derating curves were measured on the evaluation board. For the test conditions, see [Table 2 on page 9](#).

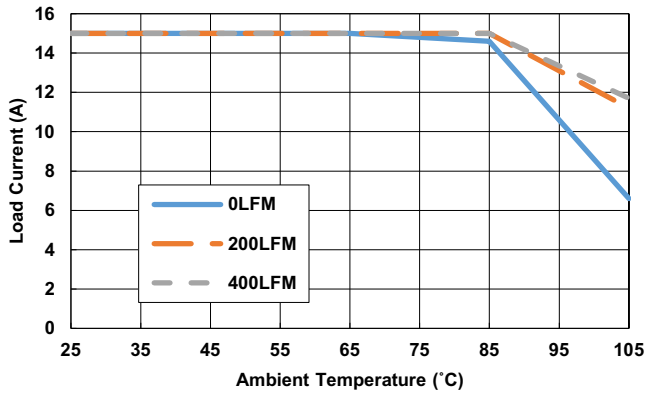


Figure 31. 0.6V<sub>OUT</sub>

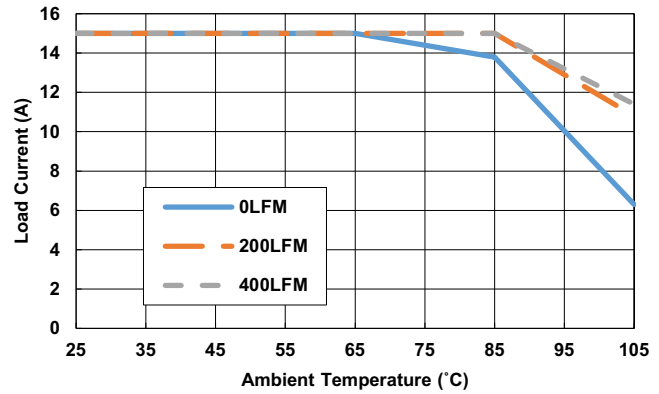


Figure 32. 0.8V<sub>OUT</sub>

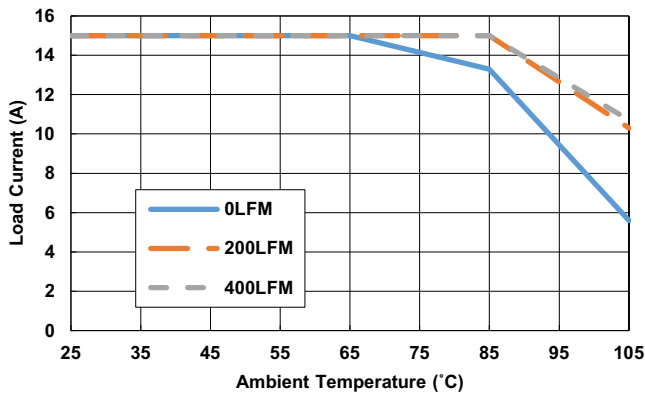


Figure 33. 1V<sub>OUT</sub>

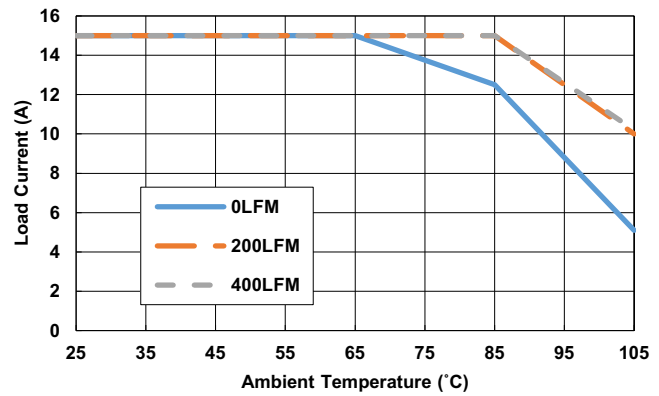


Figure 34. 1.2V<sub>OUT</sub>

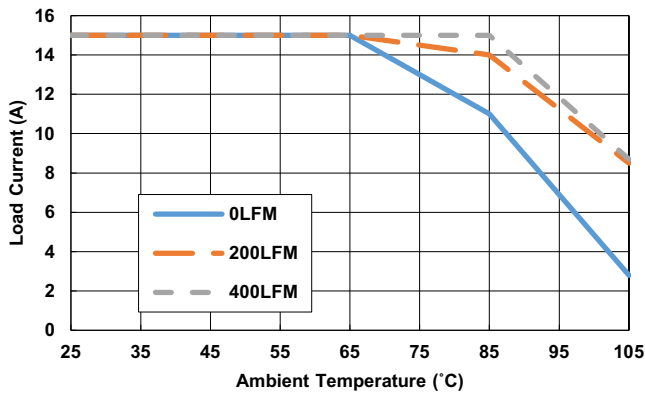


Figure 35. 1.8V<sub>OUT</sub>

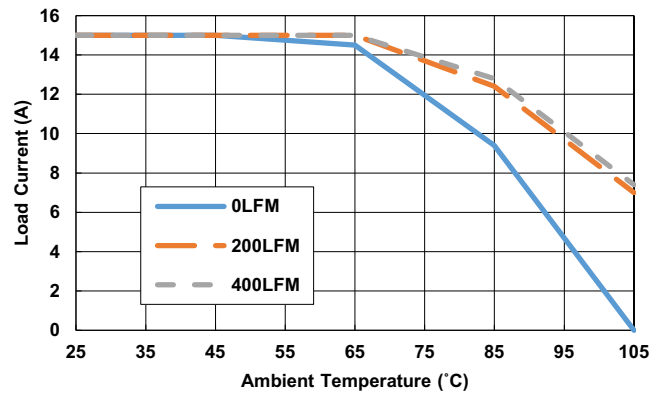


Figure 36. 2.5V<sub>OUT</sub>

Operating conditions:  $V_{IN} = 12V$ , PWM mode. All of the following curves were plotted at  $T_J = +125^\circ C$ . The derating curves were measured on the evaluation board. For the test conditions, see [Table 2 on page 9](#). (Continued)

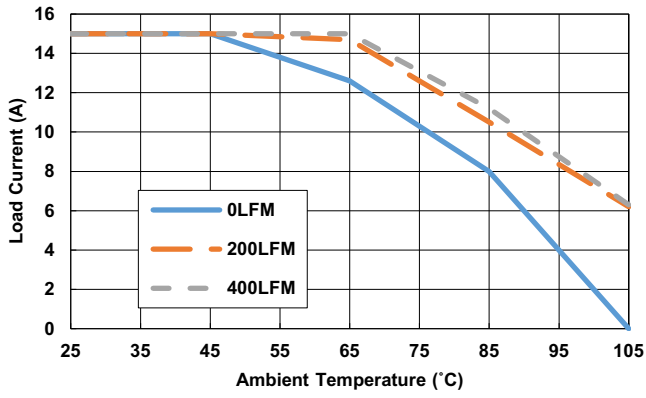


Figure 37. 3.3V<sub>OUT</sub>

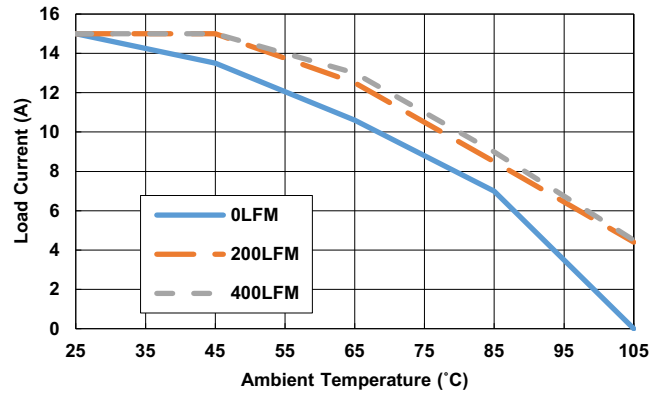


Figure 38. 5V<sub>OUT</sub>

## 4. Functional Description

The following sections describe the operation of the ISL8282M.

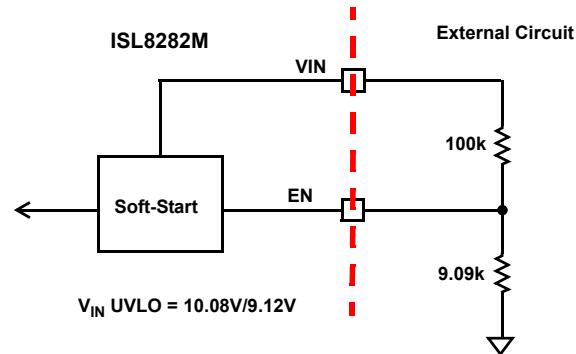
### 4.1 Configuring Internal Bias and LDO

The ISL8282M has four bias pins: VIN1, 7VLDO, PVCC, and VDD. The PVCC voltage rail is 5V LDO and supplied by VIN1. The 7VLDO voltage rail is 7V LDO supplied by VIN1. The VDD pin must connect to the PVCC rail externally to be biased.

### 4.2 Enabling and Disabling the ISL8282M

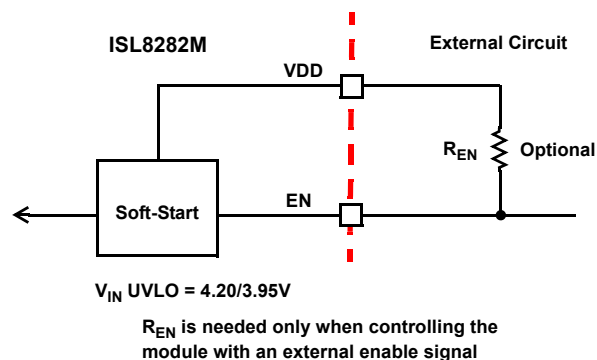
The module is enabled until the 7VLDO, PVCC, VDD, VIN1, and EN pins increase above their respective rising threshold voltages and the typical 5.5ms timeout (worst case = 6.5ms) expires, as shown in [Figures 47 and 48](#) on [page 39](#). The module is disabled when the 7VLDO, PVCC, VDD, VIN1, or EN pins drop below their respective falling POR threshold voltages.

The precision threshold EN pin allows you to set a precision input UVLO level with an external resistor divider as shown in [Figure 39](#).



**Figure 39. Input UVP Configuration**

For 5V input applications or wide range input applications, the EN pin can directly connect to  $V_{DD}$  as shown in [Figure 40](#). If an external enable control signal is available and is an open-drain signal, use a 100k or higher pull-up impedance to connect the pull-up resistor to  $V_{DD}$ .



**Figure 40. 5V Input or Wide Range Input Configuration**

The module can be enabled or disabled by the serial bus command “OPERATION [01h]” based on the ON\_OFF\_CONFIG [02h] setting and/or the EN pin. See [Table 12 on page 42](#) for more details.

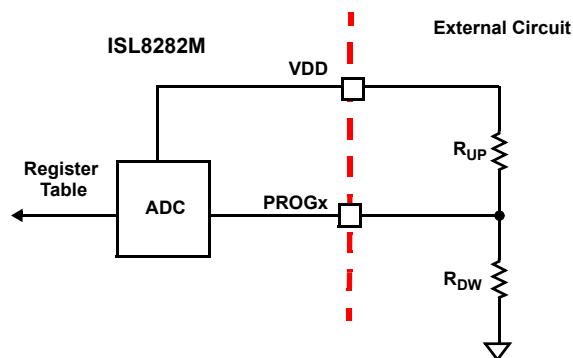
### 4.3 Programming the Resistor Reader

This section contains information about operating the resistors reader with the ISL8282M's four programming pins (PROG1, PROG2, PROG3, and PROG4) to customize module specifications. [Table 3](#) contains information about the pins and resistor reader operation.

**Table 3. Programming Pin Descriptions**

| Pin   | Bit   | Name                     | Description  |
|-------|-------|--------------------------|--|
| PROG1 | [7:0] | BOOT-UP VOLTAGE          | Sets the 256 output boot-up voltage options: 0V, 0.5V to 5V (see <a href="#">Table 8</a> ) |
| PROG2 | [7:7] | PWM/PFM                  | Enables PFM mode or forced PWM   |
|       | [6:5] | Temperature Compensation | Adjusts NTC temperature compensation: OFF, +5°C, +15°C, +30°C                              |
|       | [4:0] | ADDR                     | Sets the 32 serial bus addresses (see <a href="#">Table 11</a> )                           |
| PROG3 | [7:7] | uSPFM                    | Ultrasonic (25kHz clamp) PFM enable  |
|       | [6:6] | Fault Behavior           | OCF fault behavior:<br>Latch, infinite 9ms retry   |
|       | [5:3] | FSW                      | Sets the switching frequency ( $f_{SW}$ )  |
|       | [2:0] | AV Gain                  | Sets the error amplifier gain (AV)   |
| PROG4 | [7:5] | RAMP_RATE                | Sets the soft-start ramp rate  |
|       | [4:3] | R4 RR                    | Selects the RR impedance for R4 loop   |
|       | [2:2] | AVMLTI                   | Selects the AV gain multiplier (1x or 2x)  |
|       | [1:0] | Not Used                 | Not used   |

Renesas has developed a high resolution ADC using a patented technique with a simple 1%, 100ppm/K or better temperature coefficient resistor divider. Renesas recommends using the same type of resistor in the design so the ADC has similar change over temperature. The divider is compared to the internal divider off the VDD and SGND nodes; therefore, the divider must refer to the VDD and SGND pins and not through any RC decoupling network as shown in [Figure 41](#).



**Figure 41. Simplified Resistor Divider ADC**

[Tables 4](#) through [7](#) show the  $R_{UP}$  and  $R_{DW}$  values of each pin for a specific system design with some tie-high and tie-low options that enable easy programming with reduced resistors. You can use the tie-high and tie-low options to validate the module operation during In-Circuit Test (ICT) for 0V boot-up voltage. Additional options are described in the [ISL8282MEVAL1Z User's Manual](#) and [PowerNavigator](#). Data for corresponding registers can be read out through the serial bus commands ([DC\[7:0\]](#) to [DF\[7:0\]](#)). The AV gain multiplier (AVMLTI) in PROG4 of [Table 3](#) can be set by external  $R_{UP}$  and  $R_{DW}$  only. Note: the 10k $\Omega$  tie-high or tie-low is equivalent to the 0 $\Omega$  tie-high or tie-low.



Table 4. PROG 1 Resistor Reader Example

| PROG1 (DC) | R <sub>UP</sub> (kΩ) | R <sub>DW</sub> (kΩ) | V <sub>out</sub> (V) |
|------------|----------------------|----------------------|----------------------|
| 01h        | 49.9                 | 12.4                 | 0.500                |
| 0Dh        | 23.2                 | 17.8                 | 0.594                |
| 0Eh        | 22.1                 | 18.2                 | 0.602                |
| 22h        | 97.6                 | 27.4                 | 0.742                |
| 23h        | 90.9                 | 28.7                 | 0.750                |
| 24h        | 82.5                 | 28.7                 | 0.758                |
| 40h        | Open                 | 34.8                 | 0.898                |
| 37h        | 34                   | 57.6                 | 0.906                |
| 44h        | 133                  | 46.4                 | 0.992                |
| 80h        | Open                 | 75                   | 1.000                |
| 46h        | 118                  | 49.9                 | 1.008                |
| 5Eh        | 45.3                 | 150                  | 1.195                |
| E0h        | Open                 | 499                  | 1.203                |
| 88h        | 221                  | 113                  | 1.492                |
| 3Fh        | 21.5                 | Open                 | 1.500                |
| 8Ah        | 200                  | 121                  | 1.508                |
| 5Fh        | 34.8                 | Open                 | 1.797                |
| B2h        | 196                  | 226                  | 1.805                |
| C4h        | 576                  | 200                  | 2.492                |
| 7Fh        | 52.3                 | Open                 | 2.500                |
| C6h        | 499                  | 210                  | 2.508                |
| BFh        | 105                  | Open                 | 3.297                |
| D5h        | 249                  | 357                  | 3.305                |
| F2h        | 374                  | 422                  | 4.992                |
| DFh        | 147                  | Open                 | 5.000                |
| F4h        | 348                  | 464                  | 5.008                |
| FFh        | 499                  | Open                 | 0.000                |

Table 5. PROG 2 Resistor Reader Example

| PROG2 (DD) | R <sub>UP</sub> (kΩ) | R <sub>DW</sub> (kΩ) | PFM      | Temp Comp (°C) | PM_ADDR(7-Bit) |
|------------|----------------------|----------------------|----------|----------------|----------------|
| 00h        | Open                 | 10                   | Enabled  | +30            | 60             |
| 20h        | Open                 | 21.5                 | Enabled  | +15            | 60             |
| 40h        | Open                 | 34.8                 | Enabled  | +5             | 60             |
| 60h        | Open                 | 52.3                 | Enabled  | OFF            | 60             |
| 80h        | Open                 | 75                   | Disabled | +30            | 60             |
| A0h        | Open                 | 105                  | Disabled | +15            | 60             |
| C0h        | Open                 | 147                  | Disabled | +5             | 60             |
| E0h        | Open                 | 499                  | Disabled | OFF            | 60             |
| 1Fh        | 10                   | Open                 | Enabled  | +30            | 7F             |
| 3Fh        | 21.5                 | Open                 | Enabled  | +15            | 7F             |

Table 5. PROG 2 Resistor Reader Example (Continued)

| PROG2 (DD) | R <sub>UP</sub> (kΩ) | R <sub>DW</sub> (kΩ) | PFM      | Temp Comp (°C) | PM_ADDR(7-Bit) |
|------------|----------------------|----------------------|----------|----------------|----------------|
| 5Fh        | 34.8                 | Open                 | Enabled  | +5             | 7F             |
| 7Fh        | 52.3                 | Open                 | Enabled  | OFF            | 7F             |
| 9Fh        | 75                   | Open                 | Disabled | +30            | 7F             |
| BFh        | 105                  | Open                 | Disabled | +15            | 7F             |
| DFh        | 147                  | Open                 | Disabled | +5             | 7F             |
| FFh        | 499                  | Open                 | Disabled | OFF            | 7F             |

Table 6. PROG 3 Resistor Reader Example

| PROG3 (DE) | R <sub>UP</sub> (kΩ) | R <sub>DW</sub> (kΩ) | Ultrasonic PFM | Fault Behavior | f <sub>sw</sub> (kHz) | AV Gain |    |
|------------|----------------------|----------------------|----------------|----------------|-----------------------|---------|----|
|            |                      |                      |                |                |                       | 1x      | 2x |
| 0Bh        | 25.5                 | 16.5                 | Disabled       | Retry          | 400                   | 24.5    | 49 |
| 4Bh        | 88.7                 | 57.6                 | Disabled       | Latch          | 400                   | 24.5    | 49 |
| 8Bh        | 191                  | 124                  | Enabled        | Retry          | 400                   | 24.5    | 49 |
| CBh        | 374                  | 243                  | Enabled        | Latch          | 400                   | 24.5    | 49 |
| 0Dh        | 23.2                 | 17.8                 | Disabled       | Retry          | 400                   | 13      | 26 |
| 4Dh        | 80.6                 | 61.9                 | Disabled       | Latch          | 400                   | 13      | 26 |
| 8Dh        | 174                  | 133                  | Enabled        | Retry          | 400                   | 13      | 26 |
| CDh        | 340                  | 261                  | Enabled        | Latch          | 400                   | 13      | 26 |
| 15h        | 16.9                 | 24.3                 | Disabled       | Retry          | 500                   | 13      | 26 |
| 1Dh        | 13.3                 | 39.2                 | Disabled       | Retry          | 600                   | 13      | 26 |
| 55h        | 59                   | 84.5                 | Disabled       | Latch          | 500                   | 13      | 26 |
| 5Dh        | 46.4                 | 137                  | Disabled       | Latch          | 600                   | 13      | 26 |
| 95h        | 127                  | 182                  | Enabled        | Retry          | 500                   | 13      | 26 |
| 9Dh        | 100                  | 294                  | Enabled        | Retry          | 600                   | 13      | 26 |
| D5h        | 249                  | 357                  | Enabled        | Latch          | 500                   | 13      | 26 |
| DDh        | 196                  | 576                  | Enabled        | Latch          | 600                   | 13      | 26 |
| 25h        | 76.8                 | 29.4                 | Disabled       | Retry          | 700                   | 13      | 26 |
| 2Dh        | 49.9                 | 38.3                 | Disabled       | Retry          | 850                   | 13      | 26 |
| 65h        | 187                  | 71.5                 | Disabled       | Latch          | 700                   | 13      | 26 |
| 6Dh        | 121                  | 93.1                 | Disabled       | Latch          | 850                   | 13      | 26 |
| A5h        | 374                  | 143                  | Enabled        | Retry          | 700                   | 13      | 26 |
| ADh        | 243                  | 187                  | Enabled        | Retry          | 850                   | 13      | 26 |
| E5h        | 715                  | 274                  | Enabled        | Latch          | 700                   | 13      | 26 |
| EDh        | 464                  | 357                  | Enabled        | Latch          | 850                   | 13      | 26 |

Table 7. PROG 4 Resistor Reader Example

| PROG4 (DF) | R <sub>UP</sub> (kΩ) | R <sub>DW</sub> (kΩ) | SS Rate (mV/μs) | RR (Ω) | AVMLTI |
|------------|----------------------|----------------------|-----------------|--------|--------|
| 07h        | 31.6                 | 14.7                 | 1.25            | 200k   | 2      |
| 27h        | 68.1                 | 31.6                 | 2.5             | 200k   | 2      |
| 47h        | 110                  | 51.1                 | 5               | 200k   | 2      |
| 67h        | 165                  | 76.8                 | 10              | 200k   | 2      |
| A7h        | 332                  | 154                  | 0.157           | 200k   | 2      |
| C7h        | 464                  | 215                  | 0.315           | 200k   | 2      |
| E7h        | 634                  | 294                  | 0.625           | 200k   | 2      |
| 18h        | 15.4                 | 28.7                 | 1.25            | 800k   | 1      |
| 38h        | 33.2                 | 61.9                 | 2.5             | 800k   | 1      |
| 58h        | 53.6                 | 100                  | 5               | 800k   | 1      |
| 78h        | 80.6                 | 150                  | 10              | 800k   | 1      |
| B8h        | 162                  | 301                  | 0.157           | 800k   | 1      |
| D8h        | 226                  | 422                  | 0.315           | 800k   | 1      |
| F8h        | 309                  | 576                  | 0.625           | 800k   | 1      |

#### 4.4 Soft-Starting

The ISL8282M has four periods during soft-start as shown in [Figure 42](#).

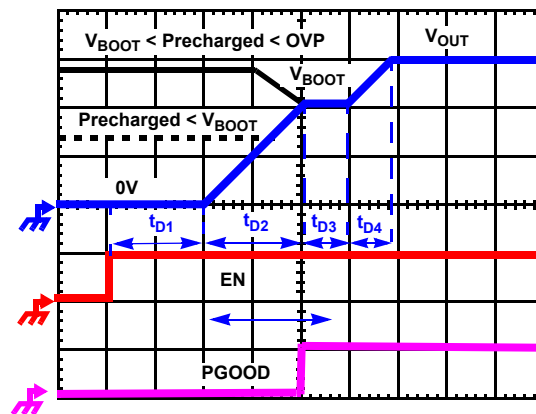


Figure 42. Soft-Start Waveforms

The ISL8282M begins the first soft-start ramp after a fixed soft-start delay period of  $t_{D1}$  and a 5.5ms timeout (worst case = 6.5ms) of bias supplies when the EN pin reaches above its enable threshold as shown in [Figures 47](#) and [48](#) on [page 39](#). The output voltage reaches the boot-up voltage ( $V_{BOOT}$ ) at a fixed slew rate in period  $t_{D2}$ . The ISL8282M regulates the output voltage at  $V_{BOOT}$  for another period  $t_{D3}$  until the SMBus/PMBus/ I<sup>2</sup>C sends a new  $V_{OUT}$  command. If the  $V_{OUT}$  command is valid, the ISL8282M initiates the ramp until the voltage reaches the new  $V_{OUT}$  command voltage in period  $t_{D4}$ . The soft-start time is the sum of the four periods as shown in [Equation 1](#).

$$(EQ. 1) \quad t_{SS} = t_{D1} + t_{D2} + t_{D3} + t_{D4}$$

$t_{D1}$  is a fixed delay with a typical value of 200μs.  $t_{D3}$  is determined by the time to obtain a new valid  $V_{OUT}$  command voltage from the SMBus/PMBus/I<sup>2</sup>C bus. If the  $V_{OUT}$  command is valid before the output reaches the boot-up voltage, the output turns around to respond to the new  $V_{OUT}$  command code.

The ISL8282M digitally controls the DAC voltage change during  $t_{D2}$  and  $t_{D4}$ . The ramp time  $t_{D2}$  and  $t_{D4}$  can be calculated based on [Equations 2](#) and [3](#) when the slew rate is set by the PROG4 pin.

$$(EQ. 2) \quad t_{D2} = \frac{V_{BOOT}}{RAMP\_RATE} (\mu s)$$

$$(EQ. 3) \quad t_{D4} = \frac{V_{OUT} - V_{BOOT}}{RAMP\_RATE} (\mu s)$$

The ISL8282M supports precharged startup by initiating the first PWM pulse until the internal reference (DAC) reaches the pre-charged level at the RAMP\_RATE programmed by PROG4 or D5[2:0]. When the precharged level is below  $V_{BOOT}$ , the output walks up to the  $V_{BOOT}$  at RAMP\_RATE and releases PGOOD at  $t_{D1} + t_{D2}$ . When the precharged output is above  $V_{BOOT}$  but below OVP it walks down to  $V_{BOOT}$  at RAMP\_RATE, then releases PGOOD at  $t_{D1} + t_{D2}$ . The value  $t_{D2}$  is defined in [Equation 4](#) and is longer than a normal startup.

$$(EQ. 4) \quad t_{D2} = \frac{V_{PRECHARGED}}{RAMP\_RATE} + \frac{V_{PRECHARGED} - V_{BOOT}}{RAMP\_RATE} (\mu s)$$

If the boot capacitor voltage is high enough, the ISL8282M can handle up to 5.5V precharged load. However, high boot voltage cannot be guaranteed for all precharged loads. If the precharged load is above 2.5V and the precharged start-up time is long, the boot capacitor is discharged to  $PV_{CC} - V_{OUT} - V_D$  by the high-side drive circuits' standby current. For a 4V precharged load, the boot capacitor can be discharged to less than 1V, which is insufficient to turn on the high-side MOSFET. Renesas recommends allowing the output voltage to drop below 2.5V before soft-start with an external bleed resistor, or by using a high RAMP\_RATE to reduce the startup time.

## 4.5 Boot-Up Voltage Programming

The 8-bit PROG1 pin is dedicated for boot-up voltage programmability, which offers 256 options: 0V and 0.5V to 5.5V as shown in [Table 8](#). A 0V boot-up voltage is considered OFF. The driver is in tri-state and the internal DAC sets to 0V. If the [VOUT\\_COMMAND](#) (21h) is executed successfully before enable and 5.5ms after  $V_{DD}$  POR (typically, at worst 6.5ms), it overrides the boot-up voltage set by the PROG1 pin.

**Table 8. PROG1 8-Bit (Boot-Up Voltage)**

| Binary Code | Hex Code | $V_{BOOT}$ (V) | VOUT Command Code (Hex) | Delta from Previous Code (mV) |
|-------------|----------|----------------|-------------------------|-------------------------------|
| 00000000    | 0        | 0.7969         | 66                      | 7.8125                        |
| 00000001    | 1        | 0.5000         | 40                      |                               |
| 00000010    | 2        | 0.5078         | 41                      | 7.8125                        |
| 00000011    | 3        | 0.5156         | 42                      | 7.8125                        |
| 00000100    | 4        | 0.5234         | 43                      | 7.8125                        |
| 00000101    | 5        | 0.5313         | 44                      | 7.8125                        |
| 00000110    | 6        | 0.5391         | 45                      | 7.8125                        |
| 00000111    | 7        | 0.5469         | 46                      | 7.8125                        |
| 00001000    | 8        | 0.5547         | 47                      | 7.8125                        |
| 00001001    | 9        | 0.5625         | 48                      | 7.8125                        |
| 00001010    | A        | 0.5703         | 49                      | 7.8125                        |
| 00001011    | B        | 0.5781         | 4A                      | 7.8125                        |
| 00001100    | C        | 0.5859         | 4B                      | 7.8125                        |
| 00001101    | D        | 0.5938         | 4C                      | 7.8125                        |
| 00001110    | E        | 0.6016         | 4D                      | 7.8125                        |
| 00001111    | F        | 0.6094         | 4E                      | 7.8125                        |
| 00010000    | 10       | 0.6172         | 4F                      | 7.8125                        |

Table 8. PROG1 8-Bit (Boot-Up Voltage) (Continued)

| Binary Code | Hex Code | V <sub>BOOT</sub> (V) | VOUT Command Code (Hex) | Delta from Previous Code (mV) |
|-------------|----------|-----------------------|-------------------------|-------------------------------|
| 00010001    | 11       | 0.6250                | 50                      | 7.8125                        |
| 00010010    | 12       | 0.6328                | 51                      | 7.8125                        |
| 00010011    | 13       | 0.6406                | 52                      | 7.8125                        |
| 00010100    | 14       | 0.6484                | 53                      | 7.8125                        |
| 00010101    | 15       | 0.6563                | 54                      | 7.8125                        |
| 00010110    | 16       | 0.6641                | 55                      | 7.8125                        |
| 00010111    | 17       | 0.6719                | 56                      | 7.8125                        |
| 00011000    | 18       | 0.6797                | 57                      | 7.8125                        |
| 00011001    | 19       | 0.6875                | 58                      | 7.8125                        |
| 00011010    | 1A       | 0.6953                | 59                      | 7.8125                        |
| 00011011    | 1B       | 0.7031                | 5A                      | 7.8125                        |
| 00011100    | 1C       | 0.7109                | 5B                      | 7.8125                        |
| 00011101    | 1D       | 0.7188                | 5C                      | 7.8125                        |
| 00011110    | 1E       | 0.7266                | 5D                      | 7.8125                        |
| 00011111    | 1F       | 1.3516                | AD                      | 7.8125                        |
| 00100000    | 20       | 0.8516                | 6D                      | 7.8125                        |
| 00100001    | 21       | 0.7344                | 5E                      | 7.8125                        |
| 00100010    | 22       | 0.7422                | 5F                      | 7.8125                        |
| 00100011    | 23       | 0.7500                | 60                      | 7.8125                        |
| 00100100    | 24       | 0.7578                | 61                      | 7.8125                        |
| 00100101    | 25       | 0.7656                | 62                      | 7.8125                        |
| 00100110    | 26       | 0.7734                | 63                      | 7.8125                        |
| 00100111    | 27       | 0.7813                | 64                      | 7.8125                        |
| 00101000    | 28       | 0.7891                | 65                      | 7.8125                        |
| 00101001    | 29       | 0.7969                | 66                      | 7.8125                        |
| 00101010    | 2A       | 0.8047                | 67                      | 7.8125                        |
| 00101011    | 2B       | 0.8125                | 68                      | 7.8125                        |
| 00101100    | 2C       | 0.8203                | 69                      | 7.8125                        |
| 00101101    | 2D       | 0.8281                | 6A                      | 7.8125                        |
| 00101110    | 2E       | 0.8359                | 6B                      | 7.8125                        |
| 00101111    | 2F       | 0.8438                | 6C                      | 7.8125                        |
| 00110001    | 31       | 0.8594                | 6E                      | 7.8125                        |
| 00110010    | 32       | 0.8672                | 6F                      | 7.8125                        |
| 00110011    | 33       | 0.8750                | 70                      | 7.8125                        |
| 00110100    | 34       | 0.8828                | 71                      | 7.8125                        |
| 00110101    | 35       | 0.8906                | 72                      | 7.8125                        |
| 00110111    | 37       | 0.9063                | 74                      | 7.8125                        |
| 00111000    | 38       | 0.9141                | 75                      | 7.8125                        |
| 00111001    | 39       | 0.9219                | 76                      | 7.8125                        |
| 00111010    | 3A       | 0.9297                | 77                      | 7.8125                        |

Table 8. PROG1 8-Bit (Boot-Up Voltage) (Continued)

| Binary Code | Hex Code | V <sub>BOOT</sub> (V) | VOUT Command Code (Hex) | Delta from Previous Code (mV) |
|-------------|----------|-----------------------|-------------------------|-------------------------------|
| 00111011    | 3B       | 0.9375                | 78                      | 7.8125                        |
| 00111100    | 3C       | 0.9453                | 79                      | 7.8125                        |
| 00111110    | 3E       | 0.9609                | 7B                      | 7.8125                        |
| 00111111    | 3F       | 1.5000                | C0                      | 7.8125                        |
| 01000000    | 40       | 0.8984                | 73                      | 7.8125                        |
| 01000001    | 41       | 0.9688                | 7C                      | 7.8125                        |
| 01000010    | 42       | 0.9766                | 7D                      | 7.8125                        |
| 01000011    | 43       | 0.9844                | 7E                      | 7.8125                        |
| 01000100    | 44       | 0.9922                | 7F                      | 7.8125                        |
| 01000110    | 46       | 1.0078                | 81                      | 7.8125                        |
| 01000111    | 47       | 1.0156                | 82                      | 7.8125                        |
| 01001000    | 48       | 1.0234                | 83                      | 7.8125                        |
| 01001001    | 49       | 1.0313                | 84                      | 7.8125                        |
| 01001010    | 4A       | 1.0391                | 85                      | 7.8125                        |
| 01001100    | 4C       | 1.0547                | 87                      | 7.8125                        |
| 01001101    | 4D       | 1.0625                | 88                      | 7.8125                        |
| 01001110    | 4E       | 1.0703                | 89                      | 7.8125                        |
| 01001111    | 4F       | 1.0781                | 8A                      | 7.8125                        |
| 01010000    | 50       | 1.0859                | 8B                      | 7.8125                        |
| 01010001    | 51       | 1.0938                | 8C                      | 7.8125                        |
| 01010011    | 53       | 1.1094                | 8E                      | 7.8125                        |
| 01010100    | 54       | 1.1172                | 8F                      | 7.8125                        |
| 01010101    | 55       | 1.1250                | 90                      | 7.8125                        |
| 01010110    | 56       | 1.1328                | 91                      | 7.8125                        |
| 01010111    | 57       | 1.1406                | 92                      | 7.8125                        |
| 01011000    | 58       | 1.1484                | 93                      | 7.8125                        |
| 01011001    | 59       | 1.1563                | 94                      | 7.8125                        |
| 01011010    | 5A       | 1.1641                | 95                      | 7.8125                        |
| 01011011    | 5B       | 1.1719                | 96                      | 7.8125                        |
| 01011100    | 5C       | 1.1797                | 97                      | 7.8125                        |
| 01011101    | 5D       | 1.1875                | 98                      | 7.8125                        |
| 01011110    | 5E       | 1.1953                | 99                      | 7.8125                        |
| 01011111    | 5F       | 1.7969                | E6                      | 7.8125                        |
| 01100000    | 60       | 0.9531                | 7A                      | 7.8125                        |
| 01100010    | 62       | 1.2109                | 9B                      | 7.8125                        |
| 01100011    | 63       | 1.2188                | 9C                      | 7.8125                        |
| 01100100    | 64       | 1.2266                | 9D                      | 7.8125                        |
| 01100101    | 65       | 1.2344                | 9E                      | 7.8125                        |
| 01100110    | 66       | 1.2422                | 9F                      | 7.8125                        |
| 01100111    | 67       | 1.2500                | A0                      | 7.8125                        |

Table 8. PROG1 8-Bit (Boot-Up Voltage) (Continued)

| Binary Code | Hex Code | V <sub>BOOT</sub> (V) | VOUT Command Code (Hex) | Delta from Previous Code (mV) |
|-------------|----------|-----------------------|-------------------------|-------------------------------|
| 01101000    | 68       | 1.2578                | A1                      | 7.8125                        |
| 01101001    | 69       | 1.2656                | A2                      | 7.8125                        |
| 01101010    | 6A       | 1.2734                | A3                      | 7.8125                        |
| 01101011    | 6B       | 1.2813                | A4                      | 7.8125                        |
| 01101100    | 6C       | 1.2891                | A5                      | 7.8125                        |
| 01101101    | 6D       | 1.2969                | A6                      | 7.8125                        |
| 01101110    | 6E       | 1.3047                | A7                      | 7.8125                        |
| 01101111    | 6F       | 1.3125                | A8                      | 7.8125                        |
| 01110000    | 70       | 1.3203                | A9                      | 7.8125                        |
| 01110001    | 71       | 1.3281                | AA                      | 7.8125                        |
| 01110010    | 72       | 1.3359                | AB                      | 7.8125                        |
| 01110011    | 73       | 1.3438                | AC                      | 7.8125                        |
| 01110101    | 75       | 1.3594                | AE                      | 7.8125                        |
| 01110110    | 76       | 1.3672                | AF                      | 7.8125                        |
| 01110111    | 77       | 1.3750                | B0                      | 7.8125                        |
| 01111000    | 78       | 1.3828                | B1                      | 7.8125                        |
| 01111001    | 79       | 1.3906                | B2                      | 7.8125                        |
| 01111010    | 7A       | 1.3984                | B3                      | 7.8125                        |
| 01111011    | 7B       | 1.4063                | B4                      | 7.8125                        |
| 01111100    | 7C       | 1.4141                | B5                      | 7.8125                        |
| 01111101    | 7D       | 1.4219                | B6                      | 7.8125                        |
| 01111110    | 7E       | 1.4297                | B7                      | 7.8125                        |
| 01111111    | 7F       | 2.5000                | 140                     | 7.8125                        |
| 10000000    | 80       | 1.0000                | 80                      | 7.8125                        |
| 10000001    | 81       | 1.4375                | B8                      | 7.8125                        |
| 10000010    | 82       | 1.4453                | B9                      | 7.8125                        |
| 10000011    | 83       | 1.4531                | BA                      | 7.8125                        |
| 10000100    | 84       | 1.4609                | BB                      | 7.8125                        |
| 10000101    | 85       | 1.4688                | BC                      | 7.8125                        |
| 10000110    | 86       | 1.4766                | BD                      | 7.8125                        |
| 10000111    | 87       | 1.4844                | BE                      | 7.8125                        |
| 10001000    | 88       | 1.4922                | BF                      | 7.8125                        |
| 10001010    | 8A       | 1.5078                | C1                      | 7.8125                        |
| 10001011    | 8B       | 1.5156                | C2                      | 7.8125                        |
| 10001100    | 8C       | 1.5234                | C3                      | 7.8125                        |
| 10001101    | 8D       | 1.5313                | C4                      | 7.8125                        |
| 10001110    | 8E       | 1.5391                | C5                      | 7.8125                        |
| 10001111    | 8F       | 1.5469                | C6                      | 7.8125                        |
| 10010000    | 90       | 1.5547                | C7                      | 7.8125                        |
| 10010001    | 91       | 1.5625                | C8                      | 7.8125                        |

Table 8. PROG1 8-Bit (Boot-Up Voltage) (Continued)

| Binary Code | Hex Code | V <sub>BOOT</sub> (V) | VOUT Command Code (Hex) | Delta from Previous Code (mV) |
|-------------|----------|-----------------------|-------------------------|-------------------------------|
| 10010010    | 92       | 1.5703                | C9                      | 7.8125                        |
| 10010011    | 93       | 1.5781                | CA                      | 7.8125                        |
| 10010100    | 94       | 1.5859                | CB                      | 7.8125                        |
| 10010101    | 95       | 1.5938                | CC                      | 7.8125                        |
| 10010110    | 96       | 1.6016                | CD                      | 7.8125                        |
| 10010111    | 97       | 1.6094                | CE                      | 7.8125                        |
| 10011000    | 98       | 1.6172                | CF                      | 7.8125                        |
| 10011001    | 99       | 1.6250                | D0                      | 7.8125                        |
| 10011010    | 9A       | 1.6328                | D1                      | 7.8125                        |
| 10011011    | 9B       | 1.6406                | D2                      | 7.8125                        |
| 10011100    | 9C       | 1.6484                | D3                      | 7.8125                        |
| 10011101    | 9D       | 1.6563                | D4                      | 7.8125                        |
| 10011110    | 9E       | 1.6641                | D5                      | 7.8125                        |
| 10011111    | 9F       | 3.0000                | 180                     | 7.8125                        |
| 10100000    | A0       | 1.0469                | 86                      | 7.8125                        |
| 10100001    | A1       | 1.6719                | D6                      | 7.8125                        |
| 10100010    | A2       | 1.6797                | D7                      | 7.8125                        |
| 10100011    | A3       | 1.6875                | D8                      | 7.8125                        |
| 10100100    | A4       | 1.6953                | D9                      | 7.8125                        |
| 10100101    | A5       | 1.7031                | DA                      | 7.8125                        |
| 10100110    | A6       | 1.7109                | DB                      | 7.8125                        |
| 10100111    | A7       | 1.7188                | DC                      | 7.8125                        |
| 10101000    | A8       | 1.7266                | DD                      | 7.8125                        |
| 10101001    | A9       | 1.7344                | DE                      | 7.8125                        |
| 10101010    | AA       | 1.7422                | DF                      | 7.8125                        |
| 10101011    | AB       | 1.7500                | E0                      | 7.8125                        |
| 10101100    | AC       | 1.7578                | E1                      | 7.8125                        |
| 10101101    | AD       | 1.7656                | E2                      | 7.8125                        |
| 10101110    | AE       | 1.7734                | E3                      | 7.8125                        |
| 10101111    | AF       | 1.7813                | E4                      | 7.8125                        |
| 10110000    | B0       | 1.7891                | E5                      | 7.8125                        |
| 10110010    | B2       | 1.8047                | E7                      | 7.8125                        |
| 10110011    | B3       | 1.8125                | E8                      | 7.8125                        |
| 10110100    | B4       | 1.8203                | E9                      | 7.8125                        |
| 10110101    | B5       | 1.8281                | EA                      | 7.8125                        |
| 10110110    | B6       | 1.8359                | EB                      | 7.8125                        |
| 10110111    | B7       | 1.9141                | F5                      | 78.125                        |
| 10111000    | B8       | 1.9922                | FF                      | 78.125                        |
| 10111001    | B9       | 2.0703                | 109                     | 78.125                        |
| 10111010    | BA       | 2.1484                | 113                     | 78.125                        |



Table 8. PROG1 8-Bit (Boot-Up Voltage) (Continued)

| Binary Code | Hex Code | V <sub>BOOT</sub> (V) | VOUT Command Code (Hex) | Delta from Previous Code (mV) |
|-------------|----------|-----------------------|-------------------------|-------------------------------|
| 10111011    | BB       | 2.2266                | 11D                     | 78.125                        |
| 10111100    | BC       | 2.3047                | 127                     | 78.125                        |
| 10111101    | BD       | 2.3828                | 131                     | 78.125                        |
| 10111110    | BE       | 2.4609                | 13B                     | 78.125                        |
| 10111111    | BF       | 3.2969                | 1A6                     | 7.8125                        |
| 11000000    | C0       | 1.1016                | 8D                      | 7.8125                        |
| 11000001    | C1       | 2.4688                | 13C                     | 7.8125                        |
| 11000010    | C2       | 2.4766                | 13D                     | 7.8125                        |
| 11000011    | C3       | 2.4844                | 13E                     | 7.8125                        |
| 11000100    | C4       | 2.4922                | 13F                     | 7.8125                        |
| 11000110    | C6       | 2.5078                | 141                     | 7.8125                        |
| 11000111    | C7       | 2.5156                | 142                     | 7.8125                        |
| 11001000    | C8       | 2.5234                | 143                     | 7.8125                        |
| 11001001    | C9       | 2.6016                | 14D                     | 78.125                        |
| 11001010    | CA       | 2.6797                | 157                     | 78.125                        |
| 11001011    | CB       | 2.7578                | 161                     | 78.125                        |
| 11001100    | CC       | 2.8359                | 16B                     | 78.125                        |
| 11001101    | CD       | 2.9141                | 175                     | 78.125                        |
| 11001110    | CE       | 2.9922                | 17F                     | 78.125                        |
| 11001111    | CF       | 3.0703                | 189                     | 78.125                        |
| 11010000    | D0       | 3.1484                | 193                     | 78.125                        |
| 11010001    | D1       | 3.2266                | 19D                     | 78.125                        |
| 11010010    | D2       | 3.2813                | 1A4                     | 54.6875                       |
| 11010011    | D3       | 3.2891                | 1A5                     | 7.8125                        |
| 11010101    | D5       | 3.3047                | 1A7                     | 7.8125                        |
| 11010110    | D6       | 3.3125                | 1A8                     | 7.8125                        |
| 11010111    | D7       | 3.3203                | 1A9                     | 7.8125                        |
| 11011000    | D8       | 3.3281                | 1AA                     | 7.8125                        |
| 11011001    | D9       | 3.4063                | 1B4                     | 78.125                        |
| 11011010    | DA       | 3.4844                | 1BE                     | 78.125                        |
| 11011011    | DB       | 3.5625                | 1C8                     | 78.125                        |
| 11011100    | DC       | 3.6406                | 1D2                     | 78.125                        |
| 11011101    | DD       | 3.7188                | 1DC                     | 78.125                        |
| 11011110    | DE       | 3.7969                | 1E6                     | 78.125                        |
| 11011111    | DF       | 5.0000                | 280                     | 7.8125                        |
| 11100000    | E0       | 1.2031                | 9A                      | 7.8125                        |
| 11100001    | E1       | 3.8750                | 1F0                     | 78.125                        |
| 11100010    | E2       | 3.9531                | 1FA                     | 78.125                        |
| 11100011    | E3       | 4.0313                | 204                     | 78.125                        |
| 11100100    | E4       | 4.1094                | 20E                     | 78.125                        |

Table 8. PROG1 8-Bit (Boot-Up Voltage) (Continued)

| Binary Code | Hex Code | V <sub>BOOT</sub> (V) | V <sub>OUT</sub> Command Code (Hex) | Delta from Previous Code (mV) |
|-------------|----------|-----------------------|-------------------------------------|-------------------------------|
| 11100101    | E5       | 4.1875                | 218                                 | 78.125                        |
| 11100110    | E6       | 4.2656                | 222                                 | 78.125                        |
| 11100111    | E7       | 4.3438                | 22C                                 | 78.125                        |
| 11101000    | E8       | 4.4219                | 236                                 | 78.125                        |
| 11101001    | E9       | 4.5000                | 240                                 | 78.125                        |
| 11101010    | EA       | 4.5781                | 24A                                 | 78.125                        |
| 11101011    | EB       | 4.6563                | 254                                 | 78.125                        |
| 11101100    | EC       | 4.7344                | 25E                                 | 78.125                        |
| 11101101    | ED       | 4.8125                | 268                                 | 78.125                        |
| 11101110    | EE       | 4.8906                | 272                                 | 78.125                        |
| 11101111    | EF       | 4.9688                | 27C                                 | 78.125                        |
| 11110000    | F0       | 4.9766                | 27D                                 | 7.8125                        |
| 11110001    | F1       | 4.9844                | 27E                                 | 7.8125                        |
| 11110010    | F2       | 4.9922                | 27F                                 | 7.8125                        |
| 11110100    | F4       | 5.0078                | 281                                 | 7.8125                        |
| 11110101    | F5       | 5.0156                | 282                                 | 7.8125                        |
| 11110110    | F6       | 5.0234                | 283                                 | 7.8125                        |
| 11110111    | F7       | 5.0313                | 284                                 | 7.8125                        |
| 11111000    | F8       | 5.1094                | 28E                                 | 78.125                        |
| 11111001    | F9       | 5.1875                | 298                                 | 78.125                        |
| 11111010    | FA       | 5.2656                | 2A2                                 | 78.125                        |
| 11111011    | FB       | 5.3438                | 2AC                                 | 78.125                        |
| 11111100    | FC       | 5.4219                | 2B6                                 | 78.125                        |
| 11111101    | FD       | 5.4922                | 2BF                                 | 70.3125                       |
| 11111110    | FE       | 5.5000                | 2C0                                 | 7.8125                        |
| 11111111    | FF       | 0                     | 0                                   |                               |

As shown in [Table 8](#), one step is  $2^{-7} = 7.8125\text{mV}$ ; some selections are higher than one step from adjacent codes. However, the resolution is  $\pm 7.8125\text{mV}$  around the popular voltage regulation points, as shown in [Table 4 on page 25](#), for fine-tuning. For finer than  $7.8125\text{mV}$  tuning, place a large ratio resistor divider on the VSEN pin between the output ( $V_{\text{OUT}}$ ) and either RGND for positive offset or VDD for negative offset as shown in [Figure 43](#).

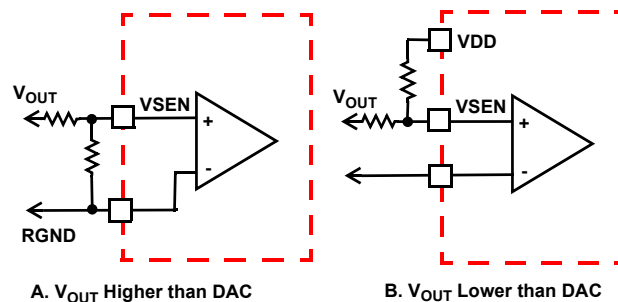


Figure 43. External Programmable Regulation

## 4.6 Thermal Monitoring and Compensation

The thermal monitoring function block diagram is shown in [Figure 44](#). A 10kΩ NTC resistor (P/N: NCP15XH103J03RC from Murata,  $\beta = 3380$ ) inside the module is placed close to the output rail of the inductor to sense the operational temperature of the current sense component. An external 1.54kΩ pull-up resistor,  $R_{TM}$ , forms the voltage divider for the NTC pin. Because the NTC pin voltage can pick up noise from the phase node, an internal 0.1μF ceramic capacitor is placed in close proximity to the NTC pin. As the temperature of the inductor increases, the resistance of the NTC decreases resulting in reduced voltage at the NTC pin.

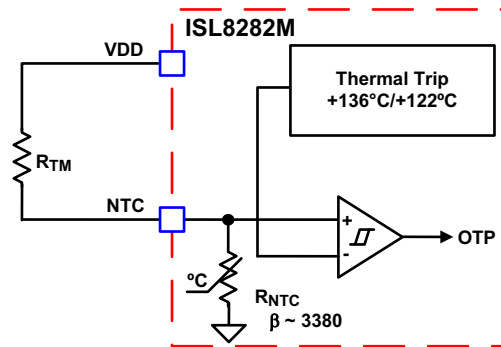


Figure 44. Thermal Monitoring and Protection Block Diagram

[Figure 45](#) shows the TM voltage over the temperature. Renesas recommends using a 1.54kΩ resistor for accurate temperature compensation because the internal thermal digital code is based on that component.

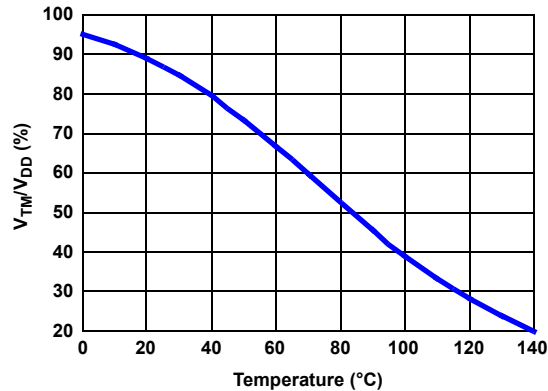


Figure 45. Ratio of TM Voltage to NTC Temperature with Recommended Parts

Because the voltage across the inductor is sensed for the output current information, the sensed current has the same positive temperature coefficient as the inductor DCR, which is about +0.385%/°C. To obtain the correct current information, the ISL8282M uses the voltage at the NTC pin and “TCOMP” register values to compensate the temperature impact on the sensed current. The block diagram of this function is shown in [Figure 46 on page 36](#).

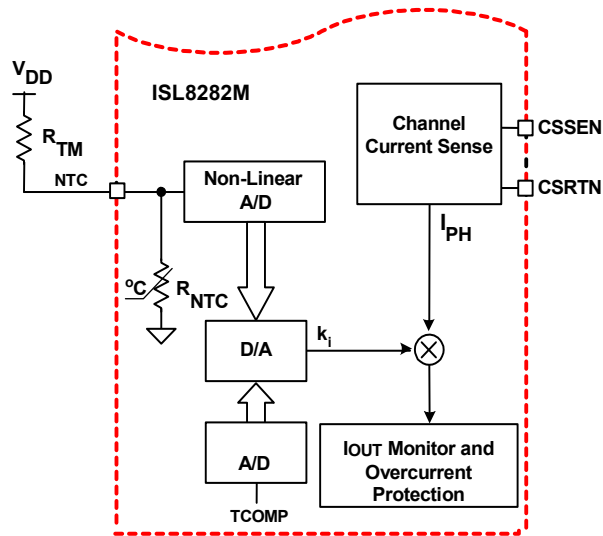


Figure 46. Integrated Temperature Compensation Block Diagram

Based on the  $V_{DD}$  voltage, the ISL8282M converts the NTC pin voltage to a digital signal for temperature compensation. With the ISL8282M nonlinear A/D converter, the NTC digital signal is linearly proportional to the NTC temperature. Because the NTC is not directly attached to the current sense component, it inherits high thermal impedance between the NTC and the current sense component. The temperature difference between them can be corrected by the TCOMP register values, which include four different TCOMP options that can be set by the PROG2 pin. The ISL8282M multiplexes the TCOMP register values with the NTC digital signal to obtain the adjustment gain to compensate the temperature impact on the sensed current. The compensated current signal is used for both  $I_{OUT}$  and OCP functions. Renesas recommends using  $+5^{\circ}\text{C}$  as the TCOMP.

Table 9. TCOMP Values

| D1h | TCOMP ( $^{\circ}\text{C}$ ) | D1h | TCOMP ( $^{\circ}\text{C}$ ) |
|-----|------------------------------|-----|------------------------------|
| 0h  | +30                          | 2h  | +5                           |
| 1h  | +15                          | 3h  | OFF                          |

## 4.7 Fault Protection

The ISL8282M provides high system reliability with many fault protections, as summarized in [Table 10](#).

Table 10. Fault Protection Summary

| Fault                            | Description   | Fault Action  |
|----------------------------------|---|---|
| Input UVLO                       | VIN pin UVLO; or set by the EN pin with an external divider for higher level. See <a href="#">Figures 39</a> and <a href="#">40</a> . | Shut down and recover when $V_{IN} > \text{UVLO}$   |
| Bias UVLO                        | VDD, PVCC, 7VLD0 UVLO   | Shut down and recover when Bias $> \text{UVLO}$   |
| Startup OVP                      | Higher than $V_{BOOT}$ . See <a href="#">"Electrical Specifications" on page 12</a> .   | Latch OFF, reset by VDD or toggling Enable (including the EN pin and/or OPERATION command based on the ON_OFF_CONFIG setting)   |
| Output OVP                       | Rising = 116%; Falling = 100%   |   |
| Output UVP                       | 74% of $V_{OUT}$ , Latch OFF  |   |
| Short-Circuit and OCP Protection | Peak load current = 18.8A typical   | Latch OFF, reset by VDD or toggling Enable (including the EN pin and/or OPERATION command based on the ON_OFF_CONFIG setting), or retry every 9ms; option is programmable by PROG3 or D3[0] |
| OTP                              | Rising = $22.31\%V_{DD}$ ( $\sim +136^{\circ}\text{C}$ )<br>Falling = $27.79\%V_{DD}$ ( $\sim +122^{\circ}\text{C}$ )                 | Shut down above $+136^{\circ}\text{C}$ and recover when temperature drops below $+122^{\circ}\text{C}$  |

Input UVLO and OTP faults respond to the current state with hysteresis. Output OVP and output UVP faults are latch events. Output OCP and output short-circuit faults can be latch or retry events depending on the PROG3 or D3[0] setting. All fault latch events can be reset by VDD cycling, toggling the EN pin, or with the serial bus OPERATION command based on the ON\_OFF\_CONFIG setting. The OCP retry event has a hiccup time of 9ms and the module can be recovered when the fault is removed.

#### 4.7.1 Overvoltage Protection

The Overvoltage Protection (OVP) fault detection circuit triggers when the voltage between  $V_{SEN+}$  and  $V_{SEN-}$  is above the rising overvoltage threshold. When an OVP fault is declared, the module latches off and the PGOOD pin is asserted low. The fault remains latched and can be reset by VDD cycling, toggling the EN pin, and/or the serial bus OPERATION command based on the ON\_OFF\_CONFIG setting.

Although the module latches off in response to an OVP fault, the Low-Side Gate Driver (LGATE) retains the ability to toggle the low-side MOSFET on and off in response to the output voltage transverse the OVP rising and falling thresholds. The LGATE turns on the low-side MOSFET to discharge the output voltage, protecting the load. The LGATE turns off the low-side MOSFET when the sensed output voltage is lower than the falling overvoltage threshold (typically 100%). If the output voltage rises again, the LGATE turns on the low-side MOSFET when the output voltage is above the rising overvoltage threshold (typically 120%). This process protects the load when there is a consistent overvoltage condition.

In addition to normal OVP operation, the startup OVP circuits are enabled to protect against OVP events 5.5ms (typical, worst 6.5ms) after all rails (VDD, PVCC, 7VLDO, VIN) POR and before the end of soft-start while the OVP level is set higher than  $V_{BOOT}$ . See [“Electrical Specifications” on page 12](#).

#### 4.7.2 Undervoltage Protection

The Undervoltage Protection (UVP) fault detection circuit triggers if the output voltage is below the undervoltage threshold (typically 74% of DAC). When an UVP fault is declared, the module latches off, forcing the LGATE and High-Side Gate Driver (UGATE) outputs low, and the PGOOD pin is asserted low. The fault remains latched and can be reset by VDD cycling, toggling the EN pin, and/or with the serial bus OPERATION command based on the ON\_OFF\_CONFIG setting.

#### 4.7.3 Overcurrent and Short-Circuit Protection

Inductor DCR sensing is used for current sense and senses current continuously for fast response. The current sense amplifier uses the CSEN and CSRTN inputs to reproduce a signal proportional to the inductor current,  $I_L$ . The reproduced signal is used for current reporting and overcurrent protection.

The Overcurrent Protection (OCP) is triggered when the load current is typically 18.8A. OCP protects inductor saturation from short-circuit events and provides a more robust power train and system protection. When an OCP or short-circuit fault is declared, the module latches off, forcing the both the high-side and low-side gate driver outputs low, or it retries with a hiccup time of 9ms. The fault response is programmable by PROG3 or D3[0]. However, the latched off event can be reset by VDD cycling, toggling the EN pin, and/or with the serial bus OPERATION command based on the ON\_OFF\_CONFIG setting.

#### 4.7.4 Over-Temperature Protection

An NTC inside the module senses the inductor temperature for both over-temperature and current sense temperature compensation. The NTC is connected to the NTC pin and SGND pad and results in lower NTC pin voltage at higher temperatures. A comparator with hysteresis compares the NTC pin voltage to the threshold set. At +136°C (typical), Over-Temperature Protection (OTP) is triggered and the ISL8282M operation is disabled. When the sensed temperature is around +122.4°C, the ISL8282M resumes normal operation. When an OTP fault is declared, the module forces the LGATE and UGATE outputs low.

## 4.8 PGOOD Monitor

The PGOOD pin indicates when the converter is capable of supplying regulated voltage. PGOOD is asserted low if there is a fault condition of a rail's (VDD, PVCC, 7VLDO, or VIN) UVLO, output Overcurrent (OCP), output Overvoltage (OVP), output Undervoltage (UVP), or Over-Temperature (OTP). Note: the PGOOD pin is an undefined impedance with insufficient V<sub>DD</sub> (typically <2.5V).

## 4.9 PFM Mode Operation

In PFM mode, programmable by the PROG2 pin, the switching frequency is dramatically reduced to minimize the switching loss and significantly improve light-load efficiency. The ISL8282M can achieve seamless transition between PFM mode and PWM mode as load changes. For high V<sub>OUT</sub> applications, the LGATE might not turn on long enough to charge the boot capacitor in PFM mode with 0A load. Renesas recommends enabling the ISL8282M's ultrasonic PFM feature, programmable by the PROG3 pin, which maintains the LGATE switching frequency above 20kHz and keeps the boot capacitor charged for immediate load apply events. Alternatively, maintaining a minimum load can enhance the boot capacitor charge.

## 4.10 SMBus, PMBus, and I<sup>2</sup>C Operation

The ISL8282M features SMBus, PMBus, and I<sup>2</sup>C with 32 programmable addresses through the PROG2 pin. The SMBus/PMBus includes an Alert# line (SALERT) and Packet Error Check (PEC) to ensure data is properly transmitted. The telemetry update rate is typically 108μs. The supported SMBus/PMBus/I<sup>2</sup>C addresses are summarized in [Table 11 on page 38](#). The 7-bit format address does not include the last bit (write and read): 40-47h, 60-67h, and 70-7Fh.

SMBus/PMBus/I<sup>2</sup>C allows the user to program the registers, as shown in [Table 12 on page 42](#), except for SMBus/PMBus/I<sup>2</sup>C addresses, 5.5ms (typical, worst 6.6ms) after all rails (VDD, PVCC, 7VLDO, and VIN) are above POR. [Figures 47 and 48 on page 39](#) show the initialization timing diagram for the serial bus with different EN (Enable) pin states.

For proper operation, follow the SMBus, PMBus, and I<sup>2</sup>C protocol shown in [Figure 49 on page 41](#). Note: the STOP (P) bit is NOT allowed before the repeated START condition when reading the contents of a register.

When the device's serial bus is not used, ground the device's SCL, SDA, and SALERT pins and do not connect them to the bus.

**Table 11. SMBus/PMBus/I<sup>2</sup>C 7-Bit Format Address (Hex)**

| 7-Bit Address | 7-Bit Address | 7-Bit Address |
|---------------|---------------|---------------|
| 40            | 63            | 76            |
| 41            | 64            | 77            |
| 42            | 65            | 78            |
| 43            | 66            | 79            |
| 44            | 67            | 7A            |
| 45            | 70            | 7B            |
| 46            | 71            | 7C            |
| 47            | 72            | 7D            |
| 60            | 73            | 7E            |
| 61            | 74            | 7F            |
| 62            | 75            |               |

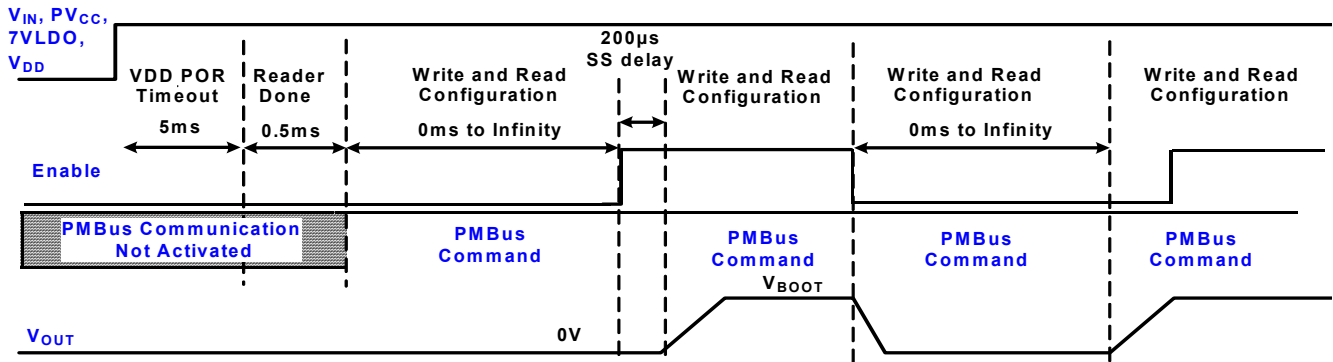


Figure 47. Simplified SMBus/PMBus/I<sup>2</sup>C Initialization Timing Diagram with Enable Low

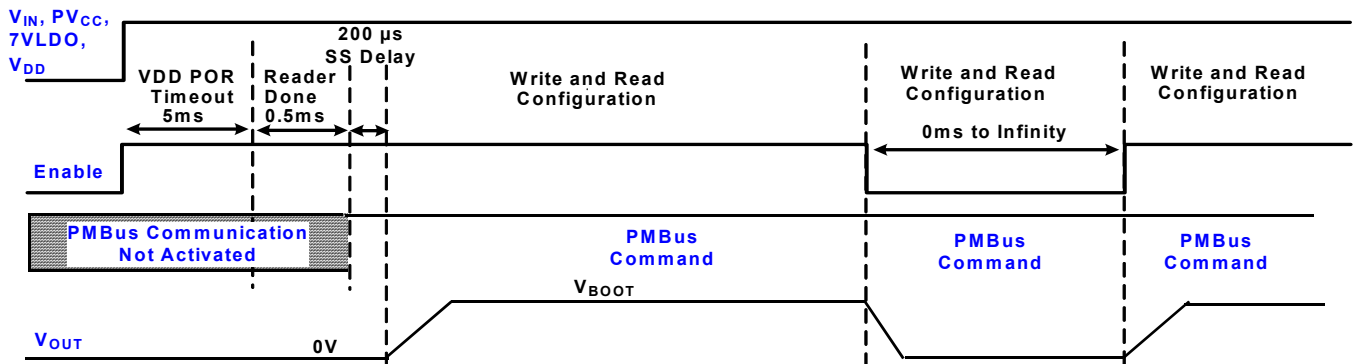
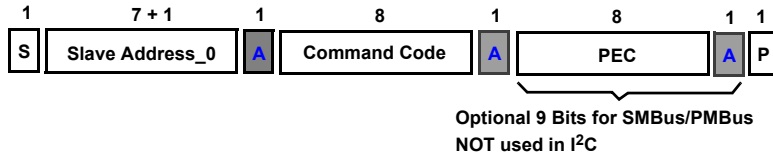


Figure 48. Simplified SMBus/PMBus/I<sup>2</sup>C Initialization Timing Diagram with Enable High

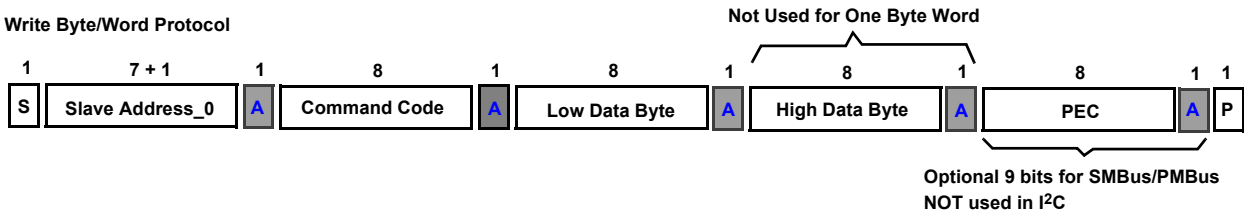
1. Send Byte Protocol



- S: Start Condition
  - A: Acknowledge ("0")
  - N: Not Acknowledge ("1")
  - W: Write ("0")
  - RS: Repeated Start Condition
  - R: Read ("1")
  - PEC: Packet Error Checking
  - P: Stop Condition
- Acknowledge or DATA from Slave, ISL8282M

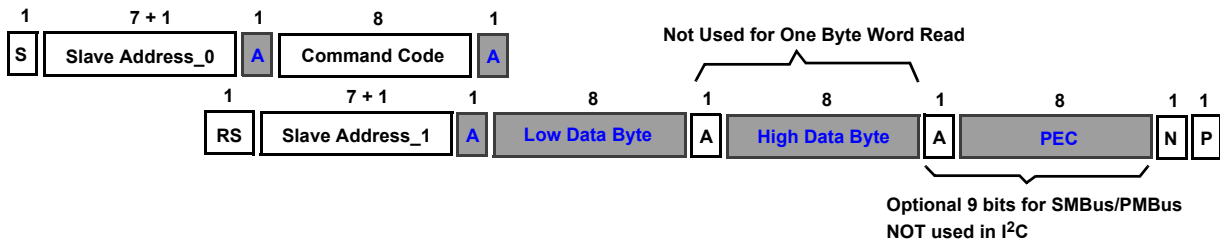
Example command: 03h Clear Faults  
(This clears all of the bits in Status Byte for the selected Rail)

2. Write Byte/Word Protocol



Example command: D0h ENABLE\_PFM (one word, High Data Byte, and ACK are not used)

3. Read Byte/Word Protocol

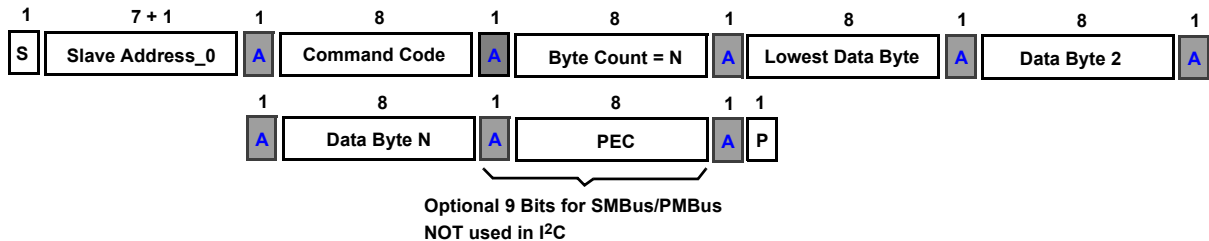


Example command: 8B READ\_VOUT (two words, read voltage of the selected rail).

NOTE: All Writable commands are read with one byte word protocol.

The STOP (P) bit is NOT allowed before the repeated START condition when "reading" contents of a register.

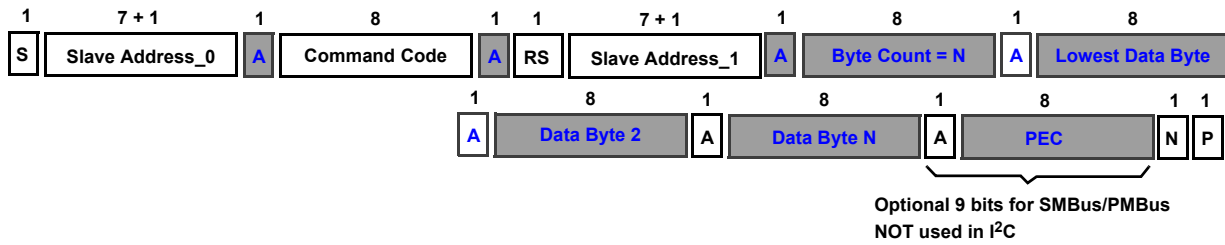
4. Block Write Protocol



Example command: ADh IC\_DEVICE\_ID (2 Data Byte)



5. Block Read Protocol



Example command: 8B READ\_VOUT (two words, read voltage of the selected rail).

NOTE: All Writable commands are read with one byte word protocol.

The STOP (P) bit is NOT allowed before the repeated START condition when “reading” contents of a register.

6. Group Command Protocol - No more than one command can be sent to the same Address

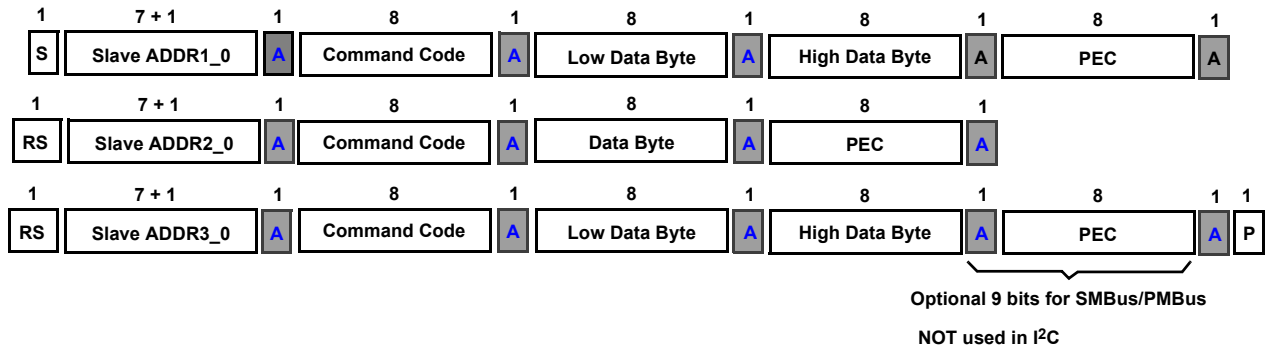


Figure 49. SMBus/PMBus/I<sup>2</sup>C Command Protocol

Table 12. SMBus, PMBus, and I<sup>2</sup>C Supported Commands

| Command Code | Access    | Word Length (Byte) | Default Value | Command Name     | Description  |
|--------------|-----------|--------------------|---------------|------------------|--|
| 01h[7:0]     | R/W       | One                | 80h           | OPERATION        | Module Enable (depending up the ON_OFF_CONFIG configuration):<br>Bit[7]: 0 = OFF (0-F); 1 = ON (80-8Fh)<br>Bit[6:4] = 0<br>Bit[3:0] = Don't care   |
| 02h[7:0]     | R/W       | One                | 1Fh           | ON_OFF_CONFIG    | Configures module enabled by OPERATION and/or EN pin:<br>Bit[7:5] = 0<br>Bit[4] = 1<br>Bit[3] = OPERATION command Enable<br>0h = OPERATION command has no control on module<br>1h = OPERATION command can turn module ON/OFF<br>Bit[2] = CONTROL pin Enable<br>0h = EN pin has no control on module<br>1h = EN pin can turn ON/OFF module<br>Bit[1] = 1<br>Bit[0] = 1<br>Bit[3:2] = 00b = 13h (always on)<br>Bit[3:2] = 01b = 17h (EN controls module)<br>Bit[3:2] = 10b = 1Bh (OPERATION controls module)<br>Bit[3:2] = 11b = 1Fh (EN and OPERATION control module) |
| 03h          | Send Byte | N/A                |               | CLEAR_FAULTS     | Clears faults in status registers  |
| 20h[7:0]     | R         | One                | 19h           | VOUT_MODE        | Sets host format of V <sub>OUT</sub> command.<br>Always linear format: N = -7  |
| 21h[2:0]     | R/W       | Two                | PROG1[7:0]    | VOUT_COMMAND     | Sets output voltage<br>Hex code = DEC2HEX [ROUND(V <sub>OUT</sub> /2 <sup>-7</sup> )]  |
| 24h[15:0]    | R/W       | Two                | VBOOT + 500mV | VOUT_MAX         | Sets maximum output voltage that module can command (DAC ≤ VOUT_MAX). Linear format. N = -7<br>Hex Code = DEC2HEX(ROUNDUP(VOUT_MAX/ 2 <sup>-7</sup> ))   |
| 33h[15:0]    | R/W       | Two                | PROG3[5:3]    | FREQUENCY_SWITCH | Sets module switching frequency (in linear format)<br>Supports seven options (N = 0):<br>12Ch = 300kHz<br>190h = 400kHz<br>1F4h = 500kHz<br>258h = 600kHz<br>2BCh = 700kHz<br>352h = 850kHz<br>3E8h = 1MHz   |
| 78h[8:0]     | R         | One                |               | STATUS_BYTE      | Fault reporting;<br>Bit7 = Busy<br>Bit6 = OFF (Reflects current state of operation and ON_OFF_CONFIG registers as well as module operation)<br>Bit5 = OVP<br>Bit4 = OCP<br>Bit3 = 0<br>Bit2 = OTP<br>Bit1 = Bus communication error<br>Bit0 = NONE OF ABOVE (OUTPUT UVP, VOUT_COMAND > VOUT_MAX, or V <sub>OUT</sub> OPEN SENSE)   |

Table 12. SMBus, PMBus, and I<sup>2</sup>C Supported Commands (Continued)

| Command Code | Access  | Word Length (Byte) | Default Value | Command Name       | Description   |
|--------------|---------|--------------------|---------------|--------------------|---|
| 88h[15:0]    | R       | Two                |               | READ_VIN           | Input voltage (N = - 4, Max = 31.9375V)<br>$V_{IN} (V) = \text{HEX2DEC}(88 \text{ hex data} - \text{E000h}) \times 0.0625V$   |
| 8Bh[15:0]    | R       | Two                |               | READ_VOUT          | Module output voltage, resolution = 7.8125mV = 2 <sup>-7</sup><br>$V_{OUT} (V) = \text{HEX2DEC}(8B \text{ hex data}) \times 2^{-7}$   |
| 8Ch[15:0]    | R       | Two                |               | READ_IOUT          | Module output current (N = -3, IMAX = 63.875A)<br>$I_{OUT} (A) = \text{HEX2DEC}(8C \text{ hex data} - \text{E800}) \times 0.125A$ when $I_{OUT}$ pin voltage = 2.5V at 63.875A load.  |
| 8Dh[15:0]    | R       | Two                |               | READ_TEMP          | Module temperature  |
| 98h[7:0]     | R       | One                | 02h           | PMBUS_REVISION     | Indicates PMBus revision 1.2  |
| AD[15:0]     | Block R | Two                | 0xD000        | IC_DEVICE_ID       | ISL8282M device ID  |
| AE[15:0]     | Block R | Two                | 0x000A        | IC_DEVICE_REVISION | ISL8282M device revision  |
| D0[0:0]      | R/W     | One                | PROG2[7:7]    | ENABLE_PFM         | PFM OPERATION<br>0h = PFM Enabled<br>1h = PFM Disabled (always CCM mode)  |
| D1[1:0]      | R/W     | One                | PROG2[6:5]    | TEMP_COMP          | Thermal compensation:<br>0h = +30°C<br>01h = +15°C<br>02h = +5°C<br>03h = OFF   |
| D2[0:0]      | R/W     | One                | PROG3[7:7]    | ENABLE_ULTRASONIC  | Ultrasonic PFM enable<br>0h = 25kHz clamp disabled<br>1h = 25kHz clamp enabled  |
| D3[0:0]      | R/W     | One                | PROG3[6:6]    | OCP_BEHAVIOR       | Set latch or infinite retry for OCP fault:<br>0h = Retry every 9ms<br>01 = Latch-OFF  |
| D4[2:0]      | R/W     | One                | PROG3[2:0]    | AV_GAIN            | <b>R4 AV GAIN (PROG4, AV Gain Multiplier = 2x)</b><br>0h = 84<br>1h = 73<br>2h = 61<br>3h = 49<br>4h = 38<br>5h = 26<br>6h = 14<br>7h = 2<br><b>R4 AV GAIN (PROG4, AV Gain Multiplier = 1x)</b><br>0h = 42<br>1h = 36.5<br>2h = 30.5<br>3h = 29.5<br>4h = 19<br>5h = 13<br>6h = 7<br>7h = 1 |
| D5[2:0]      | R/W     | One                | PROG4[7:5]    | RAMP_RATE          | Soft-start rate (mV/μs)<br>0h = 1.25<br>1h = 2.5<br>2h = 5<br>3h = 10<br>5h = 0.157<br>6h = 0.315<br>7h = 0.625;  |

**Table 12. SMBus, PMBus, and I<sup>2</sup>C Supported Commands (Continued)**

| Command Code | Access | Word Length (Byte) | Default Value | Command Name | Description  |
|--------------|--------|--------------------|---------------|--------------|--|
| D6[1:0]      | R/W    | One                | PROG4[4:3]    | SET_RR       | Sets RR<br>0h = 200k<br>01h = 400k<br>02h = 600k<br>03h = 800k |
| DC[7:0]      | R      | One                |               | READ_PROG1   | Reads PROG1  |
| DD[7:0]      | R      | One                |               | READ_PROG2   | Reads PROG2  |
| DE[7:0]      | R      | One                |               | READ_PROG3   | Reads PROG3  |
| DF[7:0]      | R      | One                |               | READ_PROG4   | Reads PROG4  |

Note: Serial bus communication is valid 5.5ms (typical, worst 6.5ms) after VDD, VIN, 7VLDO, and PVCC above POR. The telemetry update rate is 108 $\mu$ s.

## 5. Layout Guidelines

Careful attention to layout requirements is necessary for a successful implementation of the ISL8282M power module. The ISL8282M switches at a very high frequency. Therefore, the switching times are very short. At these switching frequencies, even the shortest trace has significant impedance. The peak gate drive current also rises significantly in an extremely short time. Current transition from one MOSFET to another causes voltage spikes across the interconnecting impedances and parasitic circuit elements. The voltage spikes can degrade efficiency, generate EMI, and increase MOSFET voltage stress and ringing. Careful component selection and proper PCB layout minimize the magnitude of these voltage spikes. Use the ISL8282MEVAL1Z as an example and reference for the PCB layout.

The following are layout considerations:

- Renesas recommends using a six-layer PCB board. Use the top and bottom layer to route VIN and VOUT. Use a full ground plane in the internal layers (underneath the module) with shared SGND and PGND to simplify the layout design. Use another full ground plane directly above the bottom layer. Use the other internal layers to route the remote sense, PGOOD, SCL, SDA, and SALERT signals.
- Place the input capacitors and high frequency decoupling ceramic capacitors between VIN and PGND as close to the module as possible. The loop formed by the input capacitors, VIN, and PGND must be as small as possible to minimize high frequency noise. Place the output ceramic capacitors close to VOUT. Use a copper plane to connect the output ceramic capacitors to the load to avoid any parasitic inductances and resistances. An example layout is illustrated in [Figures 50](#) and [51](#).
- Use large copper planes for power paths (VIN, VOUT, and PGND) to minimize conduction loss and thermal stress. Also, use multiple vias to connect the power planes in different layers.
- Do not oversize the copper planes for the PHASE planes. Because the PHASE planes are subjected to very high dv/dt, the parasitic capacitor formed between these planes and the surrounding circuitry tends to couple the switching noise. Ensure that none of the sensitive signal traces are routed close to the PHASE plane.
- Place the PVCC and VIN1 bypass capacitors underneath the PVCC and VIN1 pins and connect their grounds to the SGND. For the external pin-strap resistor dividers connected to PROG1, PROG2, PROG3, and PROG4, connect the low side dividers' ground to the SGND. If a local decoupling capacitor is used to bias these resistor dividers, place the decoupling capacitor close to the dividers, and connect the capacitor's ground to the SGND. An example layout is illustrated in [Figure 51](#).
- Connect remote sensing traces to the regulation point to achieve a tight output voltage regulation. Route the remote sensing traces in parallel underneath the PGND layer and avoid routing the sensing trace near noisy planes such as PHASE. Place 2Ω resistors close to VSEN and RGND, respectively, to dampen the noise on the traces.

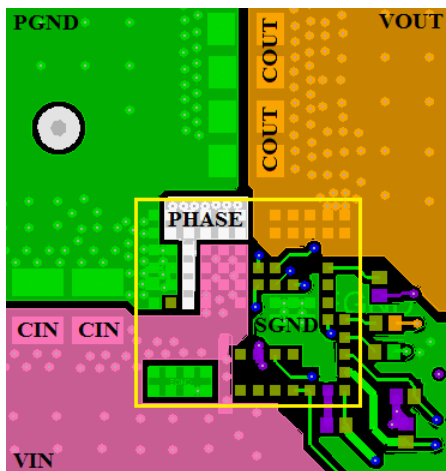


Figure 50. Layout Example - Top Layer

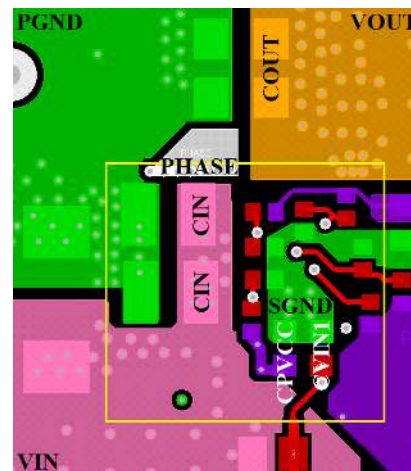


Figure 51. Layout Example - Bottom Layer

## 6. Thermal Considerations

Use the experimental power loss and  $\theta_{JA}$  from thermal modeling analysis to evaluate the thermal consideration for the module. The derating curves are derived from the maximum power allowed while maintaining the temperature below the maximum junction temperature of +125°C. The derating curves are derived based on tests of the ISL8282M evaluation board, which is a 6-layer board 3 x 3.4 inches in size with 2oz Cu on all layers and multiple via interconnects. In the actual application, other heat sources and design margins should be considered.

## 7. Package Description

The structure of the ISL8282M belongs to the High Density Array no-lead package (HDA). The HDA package has good thermal and electrical conductivity, low weight, and small size and is applicable for surface mounting technology that is being more readily used in the industry. The ISL8282M contains several types of devices, including resistors, capacitors, inductors, MOSFETs, and control ICs. The ISL8282M is a copper leadframe-based package with exposed copper thermal pads that have good electrical and thermal conductivity. The copper leadframe and multicomponent assembly is overmolded with a polymer mold compound to protect these devices.

The package outline, typical Printed Circuit Board (PCB) layout pattern design, and typical stencil pattern design are shown in the [“Package Outline Drawing” on page 50](#). The module has a small size of 12mm x 11mm x 5.3mm.

### 7.1 PCB Layout Pattern Design

The bottom of the ISL8282M is a leadframe footprint attached to the PCB by a surface mounting process. The PCB layout pattern is shown in the [“Package Outline Drawing” on page 50](#). The PCB layout pattern is an array of solder mask defined PCB lands that align with the perimeters of the HDA exposed pads and I/O termination dimensions. The thermal lands on the PCB layout also feature an array of solder mask defined lands and should match 1:1 with the package exposed die pad perimeters. The exposed solder mask defined PCB land area should be 50-80% of the available module I/O area.

### 7.2 Thermal Vias

A grid of 1.0mm to 1.2mm pitch thermal vias drops down and connects to buried copper plane(s). Place the grid under the thermal land. The vias should be about 0.3mm to 0.33mm in diameter with the barrel plated to about 1.0 oz. of copper. Although adding more vias (by decreasing via pitch) improves the thermal performance, increasing the number of vias eventually yields diminishing returns. Use as many vias as practical for the thermal land size allowed by your board design rules.

### 7.3 Stencil Pattern Design

Reflowed solder joints on the perimeter I/O lands should have about a 50µm to 75µm (2mil to 3mil) standoff height. The solder paste stencil design is the first step in developing optimized, reliable solder joints. The stencil aperture size to solder mask defined PCB land size ratio should typically be 1:1. The aperture width can be reduced slightly to help prevent solder bridging between adjacent I/O lands. A typical solder stencil pattern is shown in the [“Package Outline Drawing” on page 50](#). Consider the symmetry of the whole stencil pattern when designing its pads. A laser cut, stainless steel stencil with electropolished trapezoidal walls is recommended. Electropolishing “smooths” the aperture walls resulting in reduced surface friction and better paste release, which reduces voids. Using a Trapezoidal Section Aperture (TSA) also promotes paste release and forms a brick-like paste deposit that assists in firm component placement. A 0.1mm to 0.15mm stencil thickness is recommended for this large pitch HDA.

## 7.4 Reflow Parameters

Due to the low mount height of the HDA, “No-Clean” Type 3 solder paste per ANSI/J-STD-005 is recommended. A nitrogen purge is also recommended during reflow. A system board reflow profile depends on the thermal mass of the entire populated board, so it is not practical to define a specific soldering profile just for the HDA. The profile given in [Figure 52](#) is a guideline that can be adapted for varying manufacturing practices and applications.

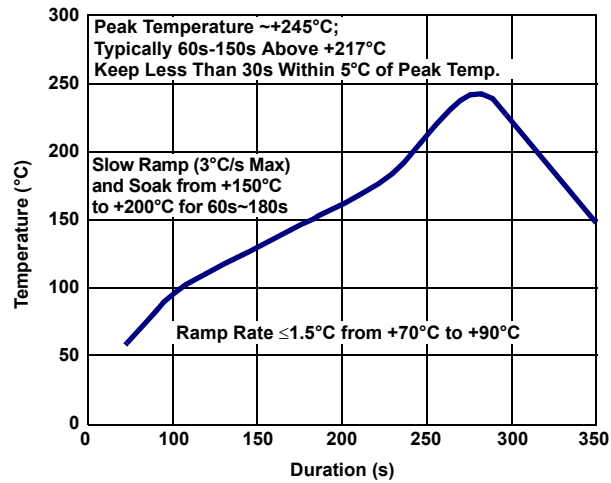


Figure 52. Typical Reflow Profile



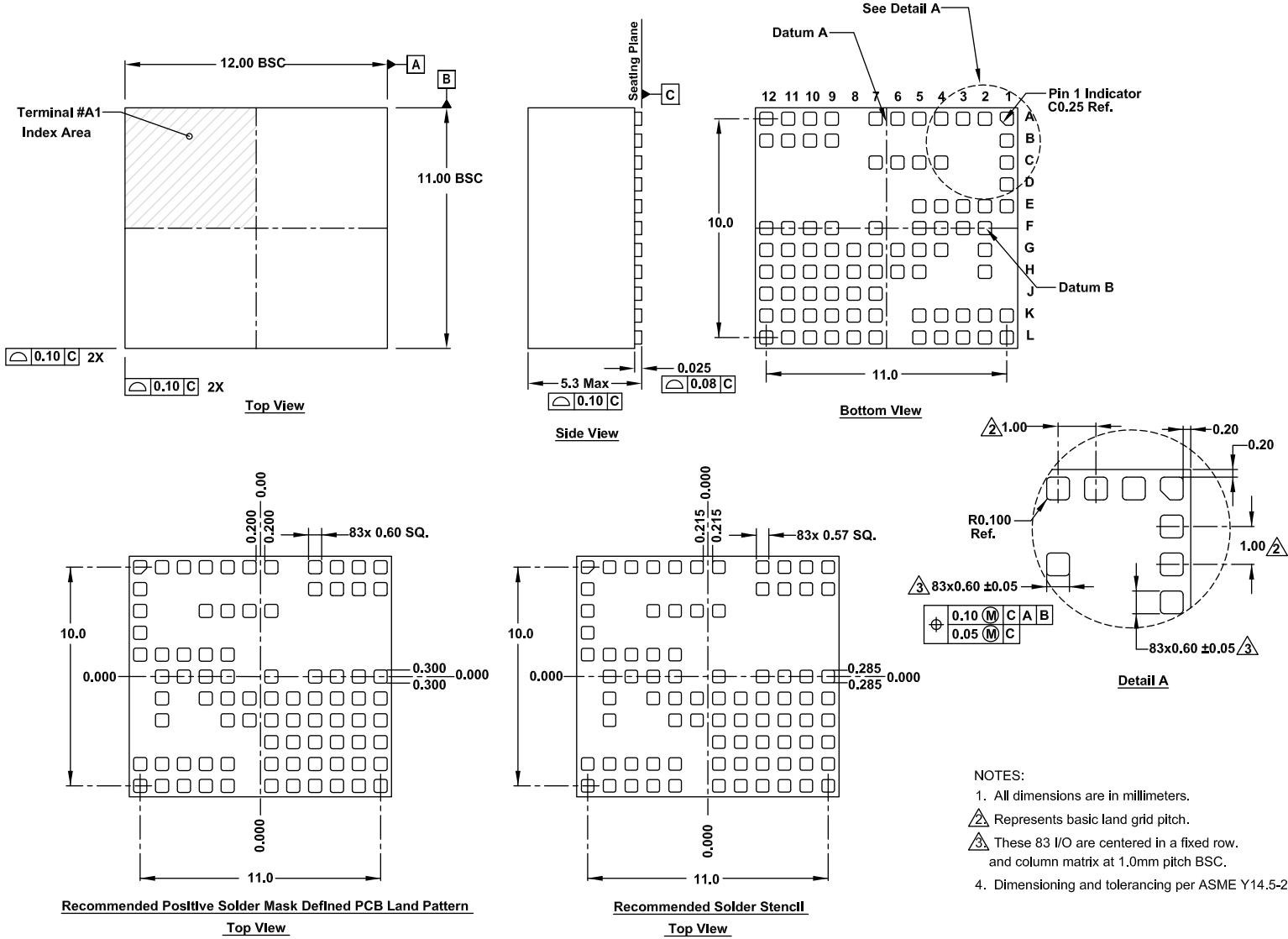
## 8. Revision History

| Rev. | Date         | Description   |
|------|--------------|---|
| 1.00 | Feb 14, 2019 | Updated Title on page 1.<br>Updated VOUT, SALERT, and SDA pin descriptions on page 8.<br>Updated Figure 28 label on page 20.<br>Updated the ENABLE_PFM command description on page 43.<br>Removed subheading on page 45.<br>Updated Disclaimer. |
| 0.00 | Dec 14, 2018 | Initial release.  |

# 9. Package Outline Drawing

Y83.12x11  
83 I/O 12mmx11mmx5.3mm HDA Module  
Rev 0, 3/18

For the most recent package outline drawing, see [Y83.12x11](#).



## Notice

1. Descriptions of circuits, software and other related information in this document are provided only to illustrate the operation of semiconductor products and application examples. You are fully responsible for the incorporation or any other use of the circuits, software, and information in the design of your product or system. Renesas Electronics disclaims any and all liability for any losses and damages incurred by you or third parties arising from the use of these circuits, software, or information.
  2. Renesas Electronics hereby expressly disclaims any warranties against and liability for infringement or any other claims involving patents, copyrights, or other intellectual property rights of third parties, by or arising from the use of Renesas Electronics products or technical information described in this document, including but not limited to, the product data, drawings, charts, programs, algorithms, and application examples.
  3. No license, express, implied or otherwise, is granted hereby under any patents, copyrights or other intellectual property rights of Renesas Electronics or others.
  4. You shall not alter, modify, copy, or reverse engineer any Renesas Electronics product, whether in whole or in part. Renesas Electronics disclaims any and all liability for any losses or damages incurred by you or third parties arising from such alteration, modification, copying or reverse engineering.
  5. Renesas Electronics products are classified according to the following two quality grades: "Standard" and "High Quality". The intended applications for each Renesas Electronics product depends on the product's quality grade, as indicated below.
    - "Standard": Computers; office equipment; communications equipment; test and measurement equipment; audio and visual equipment; home electronic appliances; machine tools; personal electronic equipment; industrial robots; etc.
    - "High Quality": Transportation equipment (automobiles, trains, ships, etc.); traffic control (traffic lights); large-scale communication equipment; key financial terminal systems; safety control equipment; etc.Unless expressly designated as a high reliability product or a product for harsh environments in a Renesas Electronics data sheet or other Renesas Electronics document, Renesas Electronics products are not intended or authorized for use in products or systems that may pose a direct threat to human life or bodily injury (artificial life support devices or systems; surgical implantations; etc.), or may cause serious property damage (space system; undersea repeaters; nuclear power control systems; aircraft control systems; key plant systems; military equipment; etc.). Renesas Electronics disclaims any and all liability for any damages or losses incurred by you or any third parties arising from the use of any Renesas Electronics product that is inconsistent with any Renesas Electronics data sheet, user's manual or other Renesas Electronics document.
  6. When using Renesas Electronics products, refer to the latest product information (data sheets, user's manuals, application notes, "General Notes for Handling and Using Semiconductor Devices" in the reliability handbook, etc.), and ensure that usage conditions are within the ranges specified by Renesas Electronics with respect to maximum ratings, operating power supply voltage range, heat dissipation characteristics, installation, etc. Renesas Electronics disclaims any and all liability for any malfunctions, failure or accident arising out of the use of Renesas Electronics products outside of such specified ranges.
  7. Although Renesas Electronics endeavors to improve the quality and reliability of Renesas Electronics products, semiconductor products have specific characteristics, such as the occurrence of failure at a certain rate and malfunctions under certain use conditions. Unless designated as a high reliability product or a product for harsh environments in a Renesas Electronics data sheet or other Renesas Electronics document, Renesas Electronics products are not subject to radiation resistance design. You are responsible for implementing safety measures to guard against the possibility of bodily injury, injury or damage caused by fire, and/or danger to the public in the event of a failure or malfunction of Renesas Electronics products, such as safety design for hardware and software, including but not limited to redundancy, fire control and malfunction prevention, appropriate treatment for aging degradation or any other appropriate measures. Because the evaluation of microcomputer software alone is very difficult and impractical, you are responsible for evaluating the safety of the final products or systems manufactured by you.
  8. Please contact a Renesas Electronics sales office for details as to environmental matters such as the environmental compatibility of each Renesas Electronics product. You are responsible for carefully and sufficiently investigating applicable laws and regulations that regulate the inclusion or use of controlled substances, including without limitation, the EU RoHS Directive, and using Renesas Electronics products in compliance with all these applicable laws and regulations. Renesas Electronics disclaims any and all liability for damages or losses occurring as a result of your noncompliance with applicable laws and regulations.
  9. Renesas Electronics products and technologies shall not be used for or incorporated into any products or systems whose manufacture, use, or sale is prohibited under any applicable domestic or foreign laws or regulations. You shall comply with any applicable export control laws and regulations promulgated and administered by the governments of any countries asserting jurisdiction over the parties or transactions.
  10. It is the responsibility of the buyer or distributor of Renesas Electronics products, or any other party who distributes, disposes of, or otherwise sells or transfers the product to a third party, to notify such third party in advance of the contents and conditions set forth in this document.
  11. This document shall not be reprinted, reproduced or duplicated in any form, in whole or in part, without prior written consent of Renesas Electronics.
  12. Please contact a Renesas Electronics sales office if you have any questions regarding the information contained in this document or Renesas Electronics products.
- (Note1) "Renesas Electronics" as used in this document means Renesas Electronics Corporation and also includes its directly or indirectly controlled subsidiaries.
- (Note2) "Renesas Electronics product(s)" means any product developed or manufactured by or for Renesas Electronics.

(Rev.4.0-1 November 2017)

## Corporate Headquarters

TOYOSU FORESIA, 3-2-24 Toyosu,  
Koto-ku, Tokyo 135-0061, Japan  
[www.renesas.com](http://www.renesas.com)

## Contact Information

For further information on a product, technology, the most up-to-date version of a document, or your nearest sales office, please visit:  
[www.renesas.com/contact/](http://www.renesas.com/contact/)

## Trademarks

Renesas and the Renesas logo are trademarks of Renesas Electronics Corporation. All trademarks and registered trademarks are the property of their respective owners.