



PART NAME

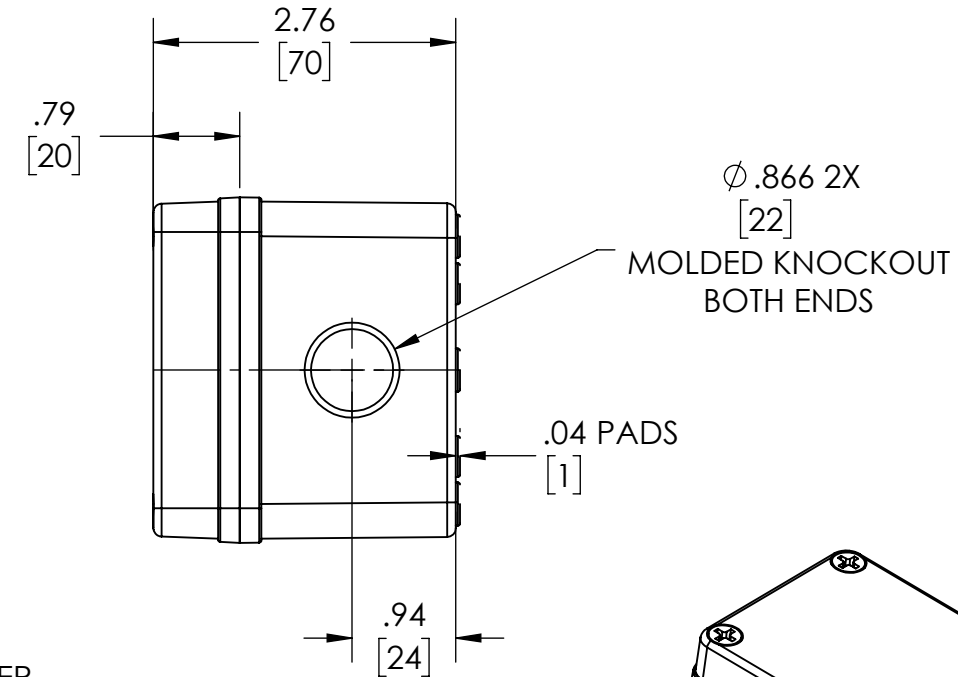
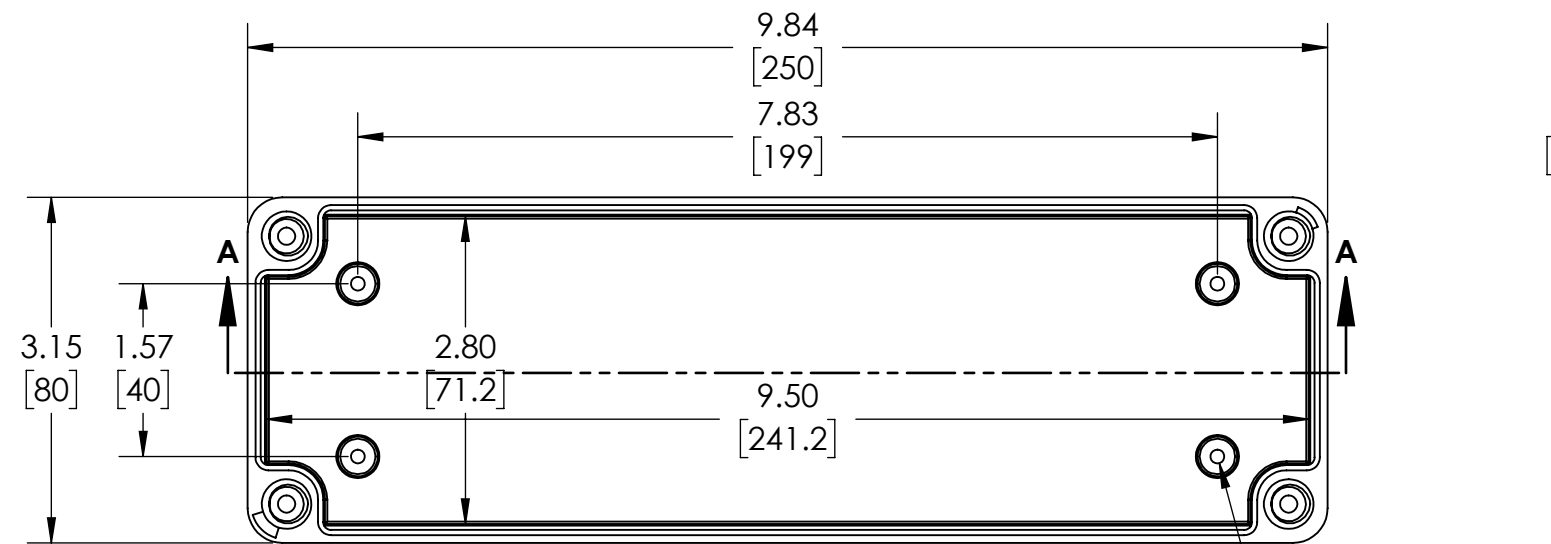
NEM 4X PLASTIC BOX (PTK SERIES)

PART No.

PTK-18426 & PTK-18426-C

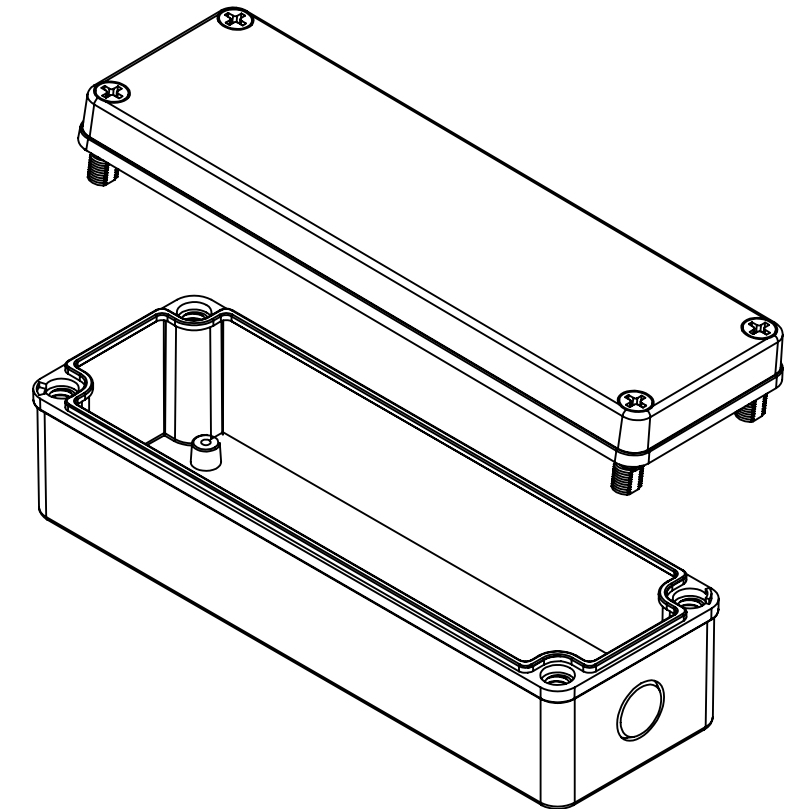
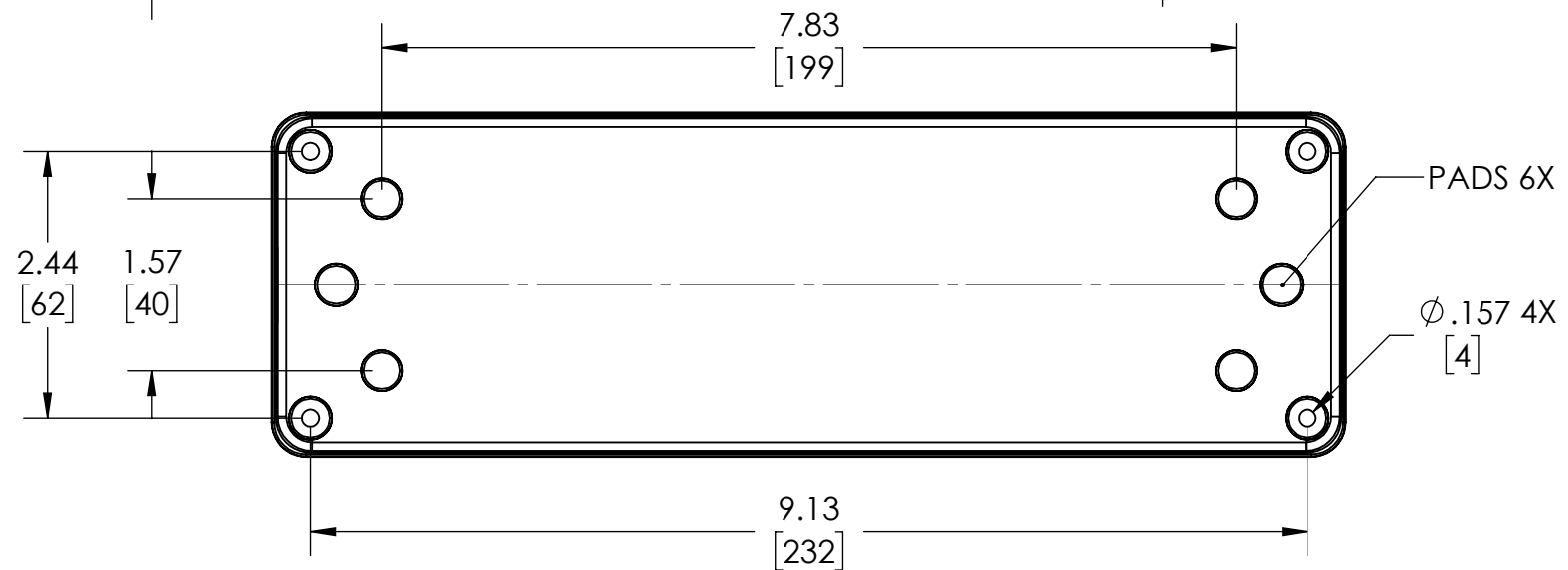
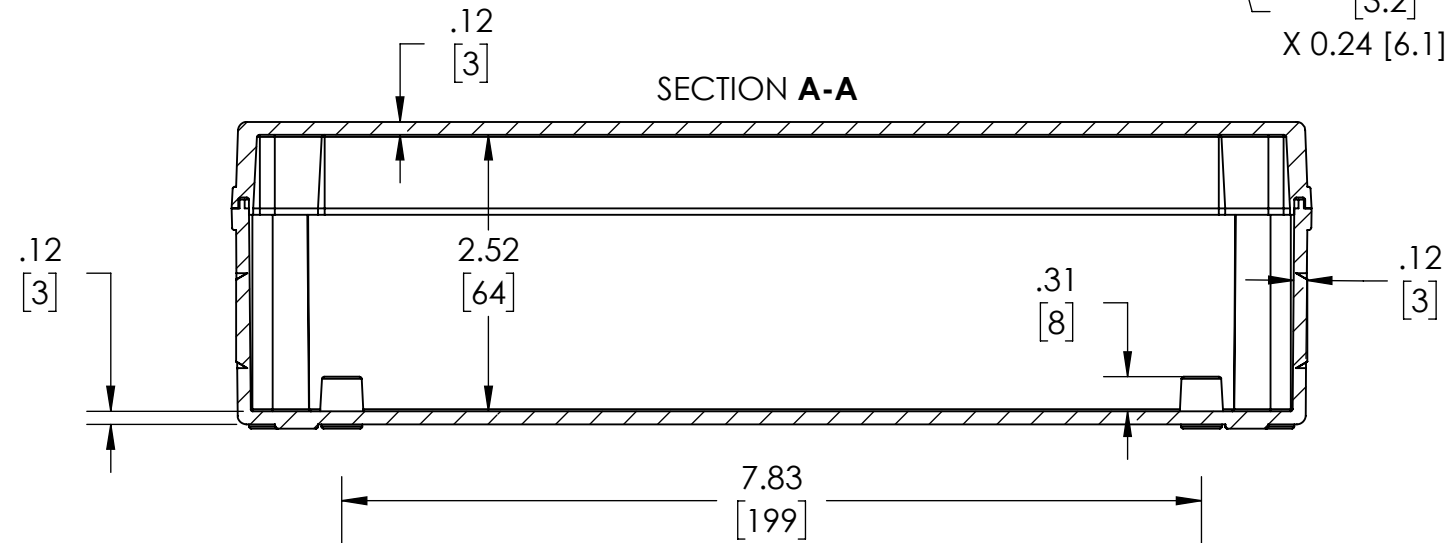
REVISION DATE

10-19-17



DRAWING FOR REFERENCE
 WE RESERVE THE RIGHT TO MAKE CHANGES TO OUR
 STANDARD PRODUCTS. PLEASE CONSULT WITH BUD INDUSTRIES
 PRIOR TO USING THIS DRAWING FOR DESIGN PURPOSE.

$\phi .126\ 4X\ [3.2]$
 X 0.24 [6.1] DEEP



- NOTES:
 1- MATERIAL: BODY - GRAY POLYCARBONATE RESIN 10% GLASS FIBER FILLED
 COVER - GRAY OR CLEAR (-C SUFFIX) POLYCARBONATE
 2- UL508 / NEMA TYPE 4X & TYPE 6 WITH IP-67 TUV RATING & UL-94 5VA
 3- CONTINUOUS Poured FOAM GASKET IN COVER
 4- COVER ATTACHES WITH NON-METALLIC CAPTIVE SCREWS
 5- INTERNAL BOSSES WILL ACCEPT M4x0.7 x 6mm LG. THREAD FORMING
 SCREWS FOR ATTACHING AN INTERNAL PANEL OR PCB (NOT SUPPLIED)
 6 - DIMENSIONS ARE INCH [MM]

OPTIONAL ACCESSORIES:
 INTERNAL STEEL PANEL #
 MOUNTING BRACKET KIT (STAINLESS STEEL) - #NBX-10922
 MOUNTING BRACKET KIT (PLASTIC) #PIX-4117