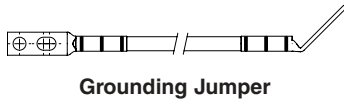




Telecom Grounding Jumpers and Mounting Hardware Kits

INSTALLATION INSTRUCTIONS T-PMPI-288-PC


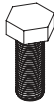


© 2008 PANDUIT Corp.



GJ672UH	GJ696UH	GJ6120UH	GJ6144UH	GJ6168UH	GJ6192UH	GJ6216UH	GJ6240UH	GJ6264UH	GJ6288UH
72"	96"	120"	144"	168"	192"	216"	240"	264"	288"



GJS660U	GJS696U	GJS6120U	GJS6180U
60"	96"	120"	180"

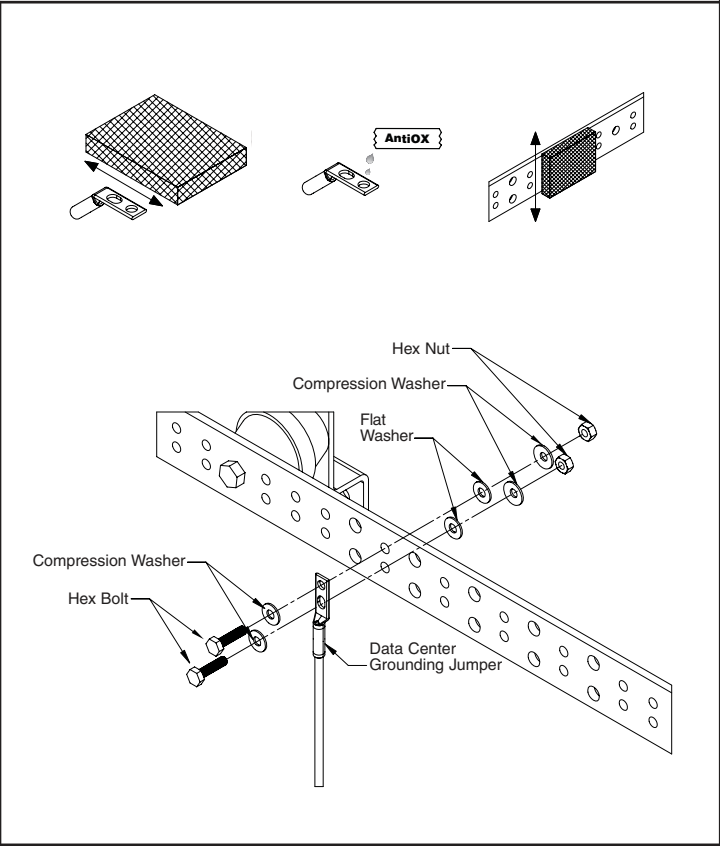
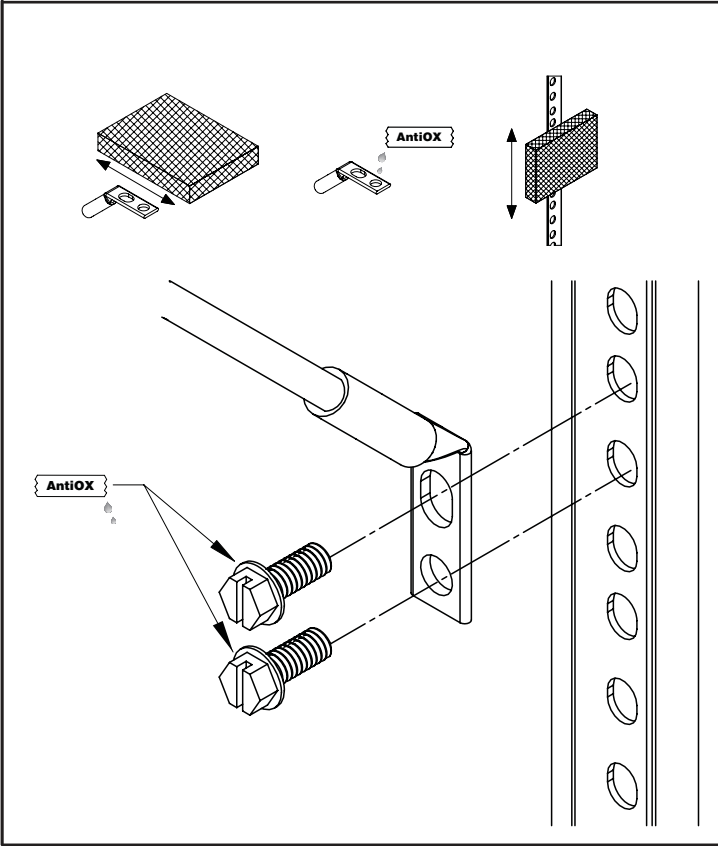
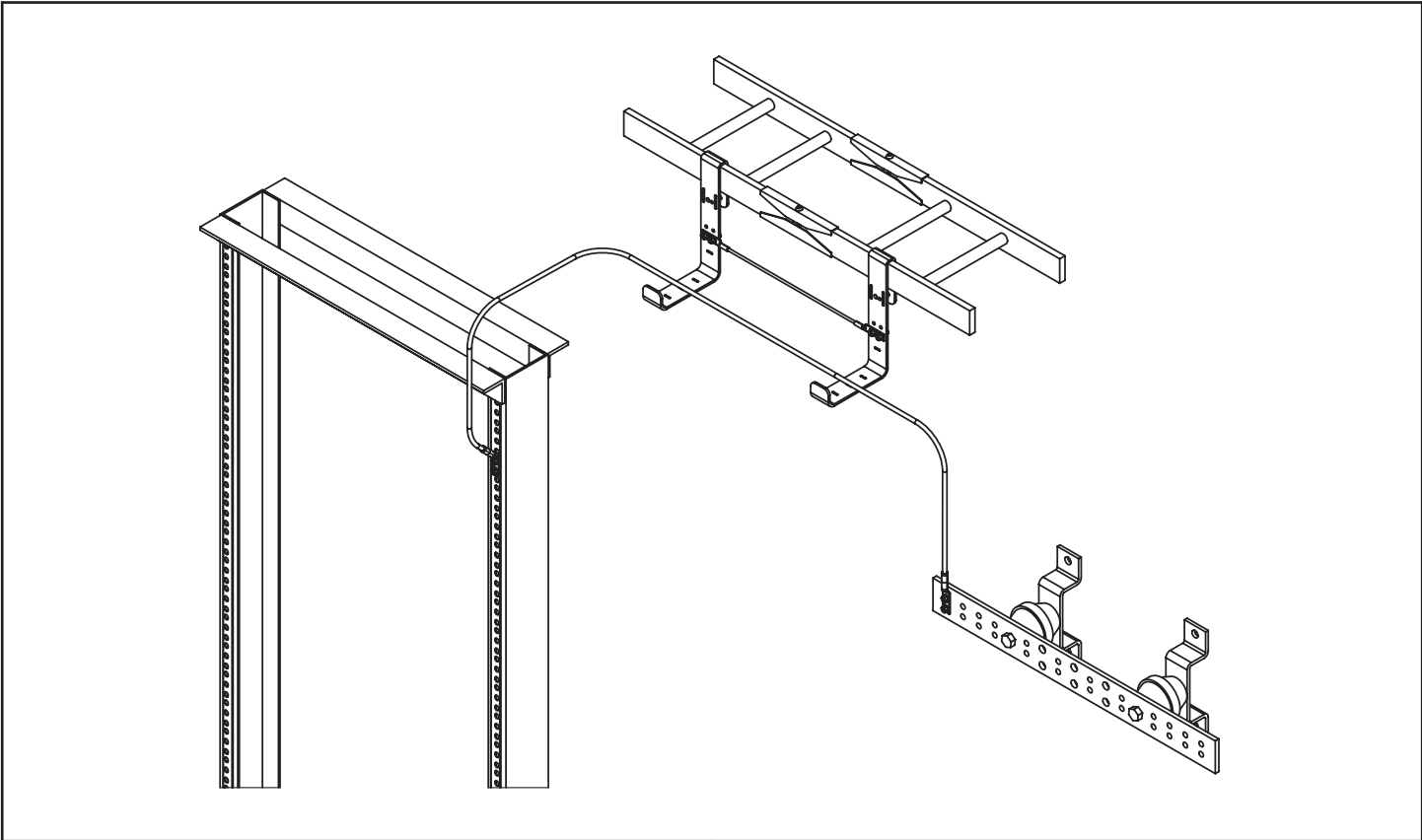
	HDW1/4-KT	HDW1/4-A-KT	HDW3/8-A-KT	HDW3/8-KT
 1/4-20 Nut SS	2	2	-	-
3/8-16 Nut SS	-	-	2	2
 1/4-20 Bolt SS	2	2	-	-
3/8-16 Bolt SS	-	-	2	2
1/4 Washer SS	4	4	-	-
3/8 Washer SS	-	-	4	4
1/4 Compression Washert SS	2	2	-	-
3/8 Compression Washert SS	-	-	2	2
 12-24 Screw	2	-	-	2
10-32 Screw	-	2	2	-
M6 Screw	2	-	-	2
 M5 Screw	-	2	2	-

General Assembly Notes

1. Clean all mating surfaces prior to installation using the cleaning pad (sold separately).
2. Apply a very thin layer of anti-oxidizing paste (sold separately) to all mating surfaces prior to installation.
3. All M6 Thread Forming Screws are to be fastened using a 7mm socket wrench and an installation torque of 35 in.-lbs.
4. All 1/4-20 Bolts are to be fastened using a 7/16" socket wrench and an installation torque of 7 Ft.-lbs.

For Technical Support: www.panduit.com/resources/install_maintain.asp

INSTALLATION INSTRUCTIONS T-PMPI-288-PC



<p>For Instructions in Local Languages and Technical Support: http://www.panduit.com/resources/install_maintain.asp</p>	 www.panduit.com	<p>E-mail: cs@panduit.com Fax: (815)485-5839</p>
--	---	---