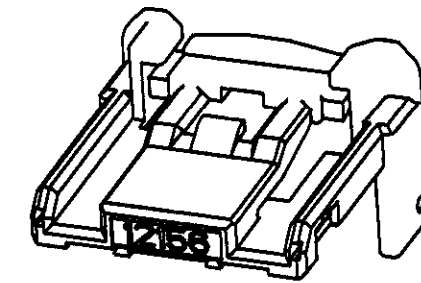
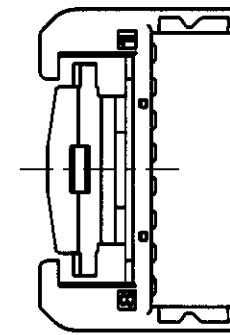
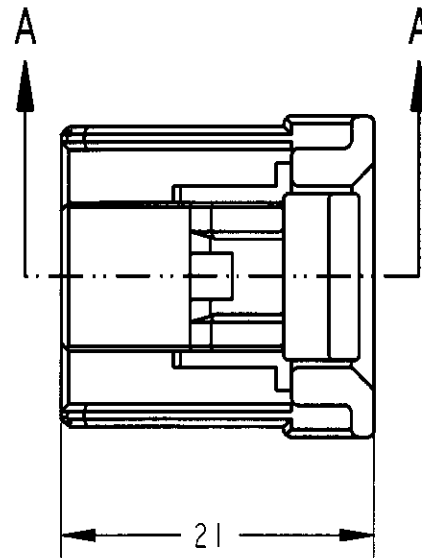
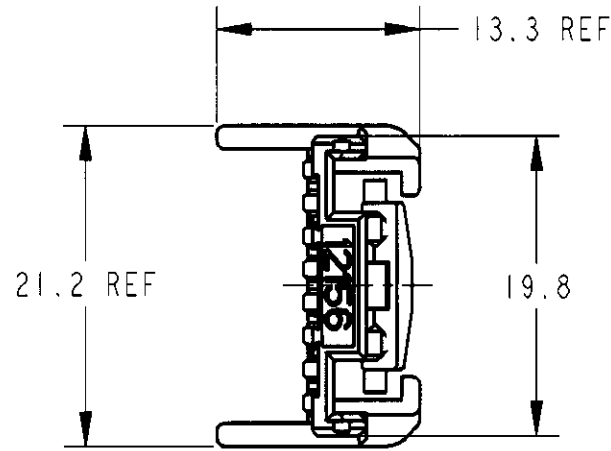
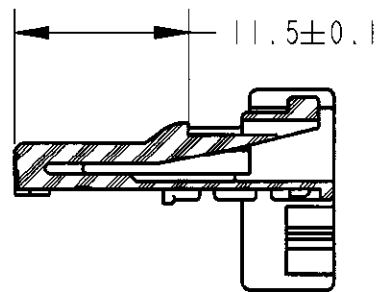


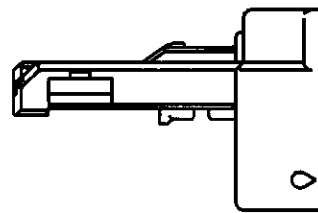
LOC	DIST	REVISIONS					
		P	LTR	DESCRIPTION	DATE	DWN	APVD
J		0		作成 RELEASED (FJ00-0314-00)	22FEB00	S.A	N.S



スケール 2:1



断面 A-A



- 取扱説明書: 411-5912
- 本品はプラグアッセンブリ型番 1318690 を装着して使用する。
- 嵌合相手型番: 1318382

- INSTRUCTION SHEET: 411-5912
- LOCK HOUSING MUST BE USED WITH PLUG ASSEMBLY P/N: 1318690
- PART NUMBER OF HOUSINGS TO BE MATED: 1318382

NATURAL	1318694-1
COLOR	PART NUMBER

THIS DRAWING IS A CONTROLLED DOCUMENT FOR AMP INCORPORATED. IT IS SUBJECT TO CHANGE AND THE CONTROLLING ENGINEERING ORGANIZATION SHOULD BE CONTACTED FOR THE LATEST REVISION.		DWN S. AMEMIYA 22FEB00	AMP Tyco Electronics AMP K.K. Kawasaki, Japan											
DIMENSIONS: 単位: mm		CHK N. SAI 22FEB00												
TOLERANCES UNLESS OTHERWISE SPECIFIED: 一般公差 = ±0.3		APVD N. SAI 22FEB00	NAME 名称											
<table border="1"> <tr><td>1 PLC</td><td>±</td></tr> <tr><td>2 PLC</td><td>±</td></tr> <tr><td>3 PLC</td><td>±</td></tr> <tr><td>4 PLC</td><td>±</td></tr> <tr><td>ANGLES</td><td>±3°</td></tr> </table>		1 PLC	±	2 PLC	±	3 PLC	±	4 PLC	±	ANGLES	±3°	PRODUCT SPEC 製品規格 108-5660	16POSITION LOCK HOUSING 025 IDC CONNECTOR	
1 PLC	±													
2 PLC	±													
3 PLC	±													
4 PLC	±													
ANGLES	±3°													
MATERIAL 材料 PBT		APPLICATION SPEC 取付適用規格 114-5276	SIZE A3	CAGE CODE 番号 00779										
FINISH 仕上 SEE TABLE		WEIGHT 1.5g	DRAWING NO C=1318694											
CUSTOMER DRAWING			SCALE 尺数 2:1	SHEET 1 OF 1 REV 0										