

MATERIAL NUMBER	# OF COLUMNS	# OF DIFF PAIR	DIM "A" MAX	DIM "B"	PTH#
170468-8**	8	24	15.20	13.30	0.46+0.05
170468-16**	10	30	19.00	17.10	0.46+0.05
170468-24**	16	48	30.40	28.50	0.46+0.05
170468-32**	8	24	15.20	13.30	0.39+0.05
170468-40**	10	30	19.00	17.10	0.39+0.05
170468-48**	16	48	30.40	28.50	0.39+0.05

170468-\*\*\*\*

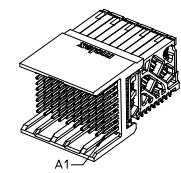
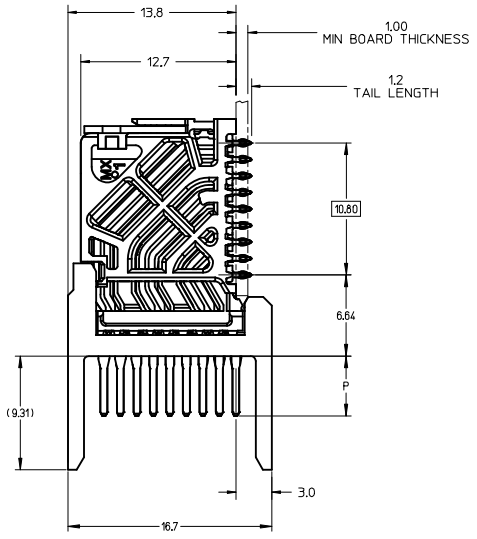
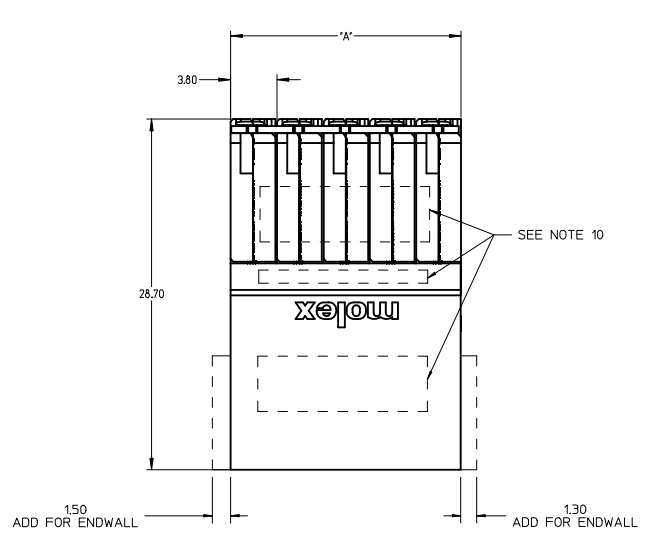
MODULE TYPE  
1 = UNGUIDED, LEAD-FREE

# OF COLUMNS  
1 = 10 COLUMNS  
6 = 16 COLUMNS  
8 = 8 COLUMNS

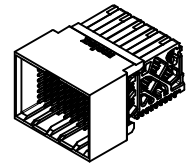
PIN LENGTH (P)  
4 = 4.90 (0.46 PTH)  
5 = 5.50 (0.46 PTH)  
7 = 4.90 (0.39 PTH)  
8 = 5.50 (0.39 PTH)

END WALL OPTIONS  
0 = OPEN ENDS  
1 = LEFT ENDWALL  
2 = DUAL ENDWALL  
3 = RIGHT ENDWALL

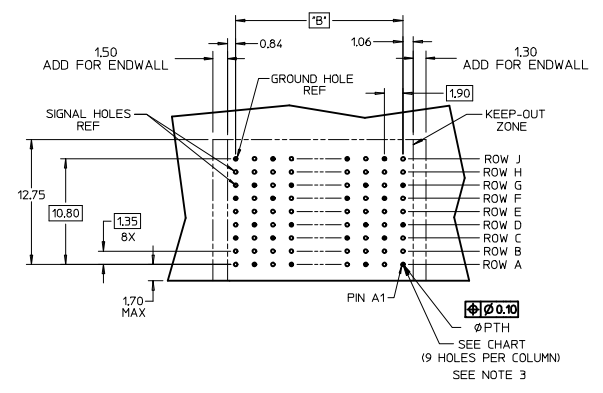
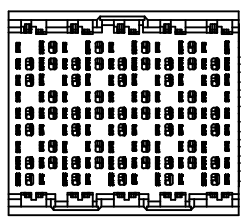
- NOTES:
1. MATERIALS: HOUSING - LIQUID CRYSTAL POLYMER (LCP), GLASS-FILLED, UL94V-0  
TERMINALS - HIGH PERFORMANCE COPPER ALLOY
  2. FINISH: 10µIN SELECTIVE GOLD IN CONTACT AREA, SELECTIVE TIN ON PCB TAILS, NICKEL OVERALL.
  3. REFER TO MOLEX PRODUCT SPECIFICATION PS-76060-999 FOR PERFORMANCE SPECIFICATIONS AND ADDITIONAL PCB INFORMATION.
  4. EACH SIGNAL WAFER CONTAINS 2 COLUMNS OF TERMINALS.
  5. PRODUCT IS PACKAGED PER PK-70873-762.
  6. THIS PART CONFORMS TO CLASS B REQUIREMENTS OF COSMETIC SPEC PS-45499-002.
  7. REFER TO MOLEX SALES DRAWING SD-170467-0001 FOR THE MATING RECEPTACLES, RECOMMENDATIONS.
  8. REFER TO MOLEX PCB ROUTING GUIDE AS-76060-990 FOR ANTIPAD AND ROUTING RECOMMENDATIONS.
  9. OPEN WALL VERSION SHOWN FOR CLARITY.
  10. MARKING: LOCATED APPROXIMATELY AS SHOWN, PART NUMBER AND DATE CODE.



A1- OPEN END OPTION



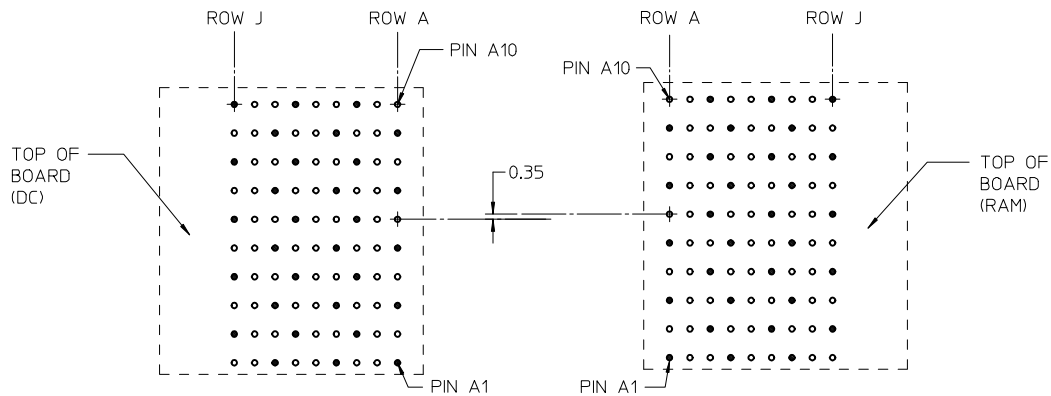
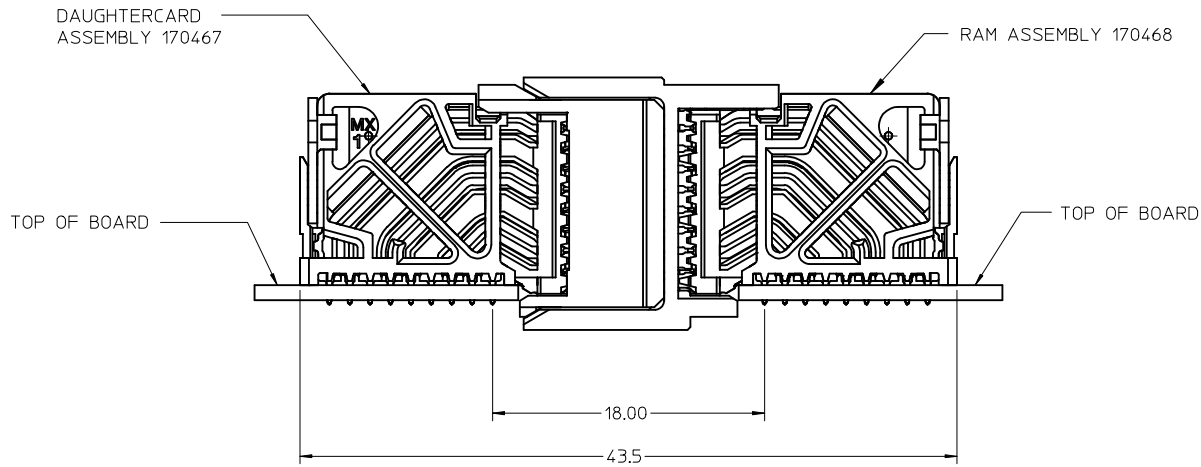
DUAL WALL OPTION



RAM HOLE PATTERN (CONNECTOR SIDE)

<b>ADD LASER MARK INFO</b> IEC NO: UCP2016-3973 DRAWN BY: DVARVARA CHKD: TELO APPR: TELO DATE: 2015/07/29 DATE: 2016/02/22 DATE: 2016/04/20 REV: A2	QUALITY SYMBOLS	GENERAL TOLERANCES (UNLESS SPECIFIED)	DIMENSION STYLE	SCALE	DESIGN UNITS	THIRD ANGLE PROJECTION
	▽=0	mm	MM ONLY	5:1	METRIC	☉
	▽=0	INCH	UNLESS SPECIFIED			
	▽=0	ANGULAR ±1/2°				
		DRAFT WHERE APPLICABLE MUST REMAIN WITHIN DIMENSIONS	MATERIAL NO.	DOCUMENT NO.	TITLE	
			SEE CHART	SD-170468-0001	IMPACT 3-PAIR 100-OHM UNGUIDED RAM SIGNAL SALES DRAWING, MAPS	
			SIZE D		molex	
					SHEET NO. 1 OF 2	

# COPLANAR APPLICATION



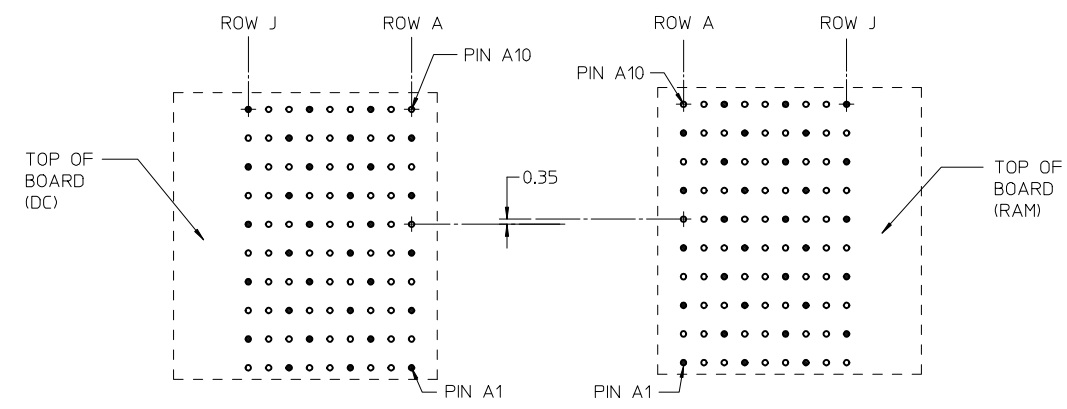
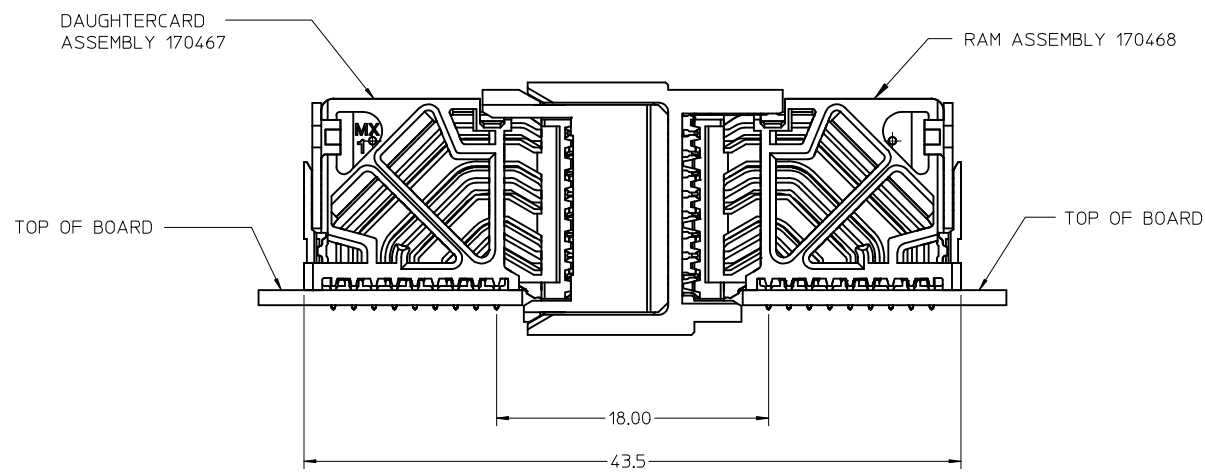
## COPLANAR MATED SIGNAL PATHS



SEE SHEET 1 EC NO: UCP2016-3973 DRW: DVARVARA 2015/07/29 CHKD: TELO 2016/02/22 APPR: TELO 2016/04/20	QUALITY SYMBOLS ▽=0 ▽=0 ▽=0	GENERAL TOLERANCES (UNLESS SPECIFIED)		DIMENSION STYLE <b>MM ONLY</b>	SCALE <b>4:1</b>	DESIGN UNITS <b>METRIC</b>	THIRD ANGLE PROJECTION	
			mm	INCH	DRAWN BY DVARVARA	DATE 2013/06/20	TITLE <b>IMPACT 3-PAIR 100-OHM                  UNGUIDED RAM SIGNAL                  SALES DRAWING, MAPS</b>  <b>molex</b> DOCUMENT NO. <b>SD-170468-0001</b>	
		4 PLACES	± .05	± .001	CHECKED BY TELO	DATE 2013/06/20		
		3 PLACES	± .05	± .001	APPROVED BY TELO	DATE 2013/09/27		
2 PLACES	± 0.13	± .001						
1 PLACE	± 0.25	± .001						
0 PLACE	±	±						
		ANGULAR ±1/2°		MATERIAL NO.		SHEET NO.		
A2		DRAFT WHERE APPLICABLE MUST REMAIN WITHIN DIMENSIONS		SEE TABLE		2 OF 2		
				SIZE C		THIS DRAWING CONTAINS INFORMATION THAT IS PROPRIETARY TO MOLEX. INCORPORATED AND SHOULD NOT BE USED WITHOUT WRITTEN PERMISSION		



# COPLANAR APPLICATION



## COPLANAR MATED SIGNAL PATHS



SEE SHEET 1 EC NO: UCP2016-3973 DRW: DVARVARA 2015/07/29 CHKD: TELO 2016/02/22 APPR: TELO 2016/04/20	QUALITY SYMBOLS ▽=0 ▽=0 ▽=0	GENERAL TOLERANCES (UNLESS SPECIFIED)		DIMENSION STYLE <b>MM ONLY</b>		SCALE <b>4:1</b>	DESIGN UNITS <b>METRIC</b>	THIRD ANGLE PROJECTION	
				DRAWN BY DVARVARA	DATE 2013/06/20		TITLE <b>IMPACT 3-PAIR 100-OHM UNGUIDED RAM SIGNAL SALES DRAWING, MAPS</b>		
				CHECKED BY TELO	DATE 2013/06/20				
				APPROVED BY TELO		DATE 2013/09/27		MATERIAL NO. <b>SD-170468-0001</b>	
		ANGULAR ±1/2° DRAFT WHERE APPLICABLE MUST REMAIN WITHIN DIMENSIONS		SEE TABLE SIZE C		DOCUMENT NO.	SHEET NO. 2 OF 2		