

NOTES:

1. MATERIALS:

- CONNECTOR HOUSING: HIGH TEMPERATURE THERMOPLASTIC GLASS FILLED, UL 94V-0
- EMI CAGE: NICKEL SILVER ALLOY
- EMI FINGERS: COPPER ALLOY
- TERMINALS: COPPER ALLOY
- LIGHT PIPES: HALOGEN FREE, CLEAR POLYCARBONATE

2. FINISHES:

- EMI FINGERS: 0.50μM NICKEL
- CONTACT AREA: 0.76μM MIN GOLD OVER 2.54μM MIN NICKEL
- TAIL AREA: 0.76μM-1.52μM TIN OVER 2.54μM MIN NICKEL

3. PRODUCT SPECIFICATION: PS-76866-001

4. PACKAGING SPECIFICATION: PK-76866-002

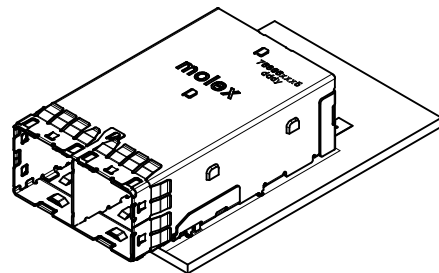
- CONNECTORS WILL BE IN ONE BOX
- LIGHT PIPES ASSEMBLIES WILL BE IN ONE BOX
- BOTH BOXES WILL BE IN A MASTER CARTON

5. MATES WITH: MOLEX CABLE SERIES 111068 & 111073

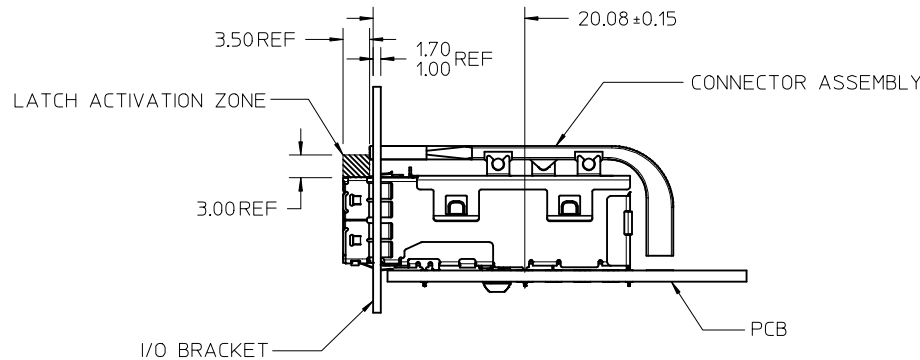
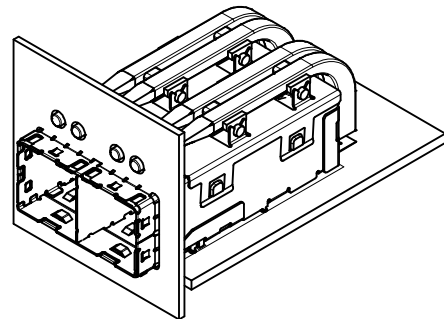
6. RECOMMENDED MOUNTING HARDWARE: REFER TO APPLICATION SPECIFICATION AS-76866-001

7. PLUG MODULE PCB LAYOUT REFER TO SD-76866-9900

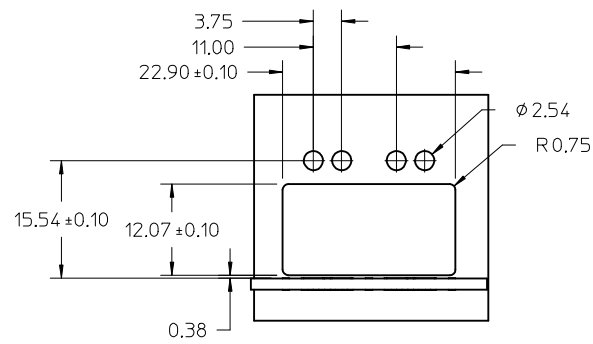
REV'D NOTES IEC NO: UCP2015-5060 DRW: KCALLAGHAN 2015/06/01 CHKD: TMCLELLAND 2015/06/03 APPR: TMCLELL 2015/06/18	QUALITY SYMBOLS	GENERAL TOLERANCES (UNLESS SPECIFIED)		DIMENSION STYLE	SCALE	DESIGN UNITS	THIRD ANGLE PROJECTION
		mm	INCH	MM ONLY	2:1	METRIC	
	▽=0	4 PLACES ± ---	± ---	DRAWN BY	DATE	TITLE	
	▽=0	3 PLACES ± ---	± ---	KLANG	2009/06/02	IPASS PLUS HD 1X2 ASSEMBLY LIGHT PIPE	
▽=0	2 PLACES ± 0.13	± ---	CHECKED BY	DATE	DOCUMENT NO.		
	1 PLACE ± 0.25	± ---	TMCLELLAND	2013/10/16	76866-0125		
	0 PLACE ±	±	APPROVED BY	DATE	SD-76866-025		
			MBANAKIS	2010/01/14	SHEET NO.		
			MATERIAL NO.		1 OF 5		
			ANGULAR ±1/2°		THIS DRAWING CONTAINS INFORMATION THAT IS PROPRIETARY TO MOLEX. INCORPORATED AND SHOULD NOT BE USED WITHOUT WRITTEN PERMISSION		
			DRAFT WHERE APPLICABLE MUST REMAIN WITHIN DIMENSIONS				



AS APPLIED TO PCB

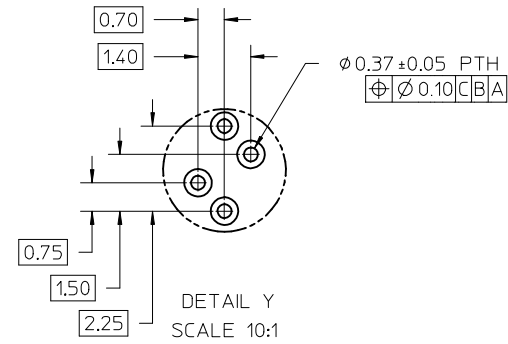
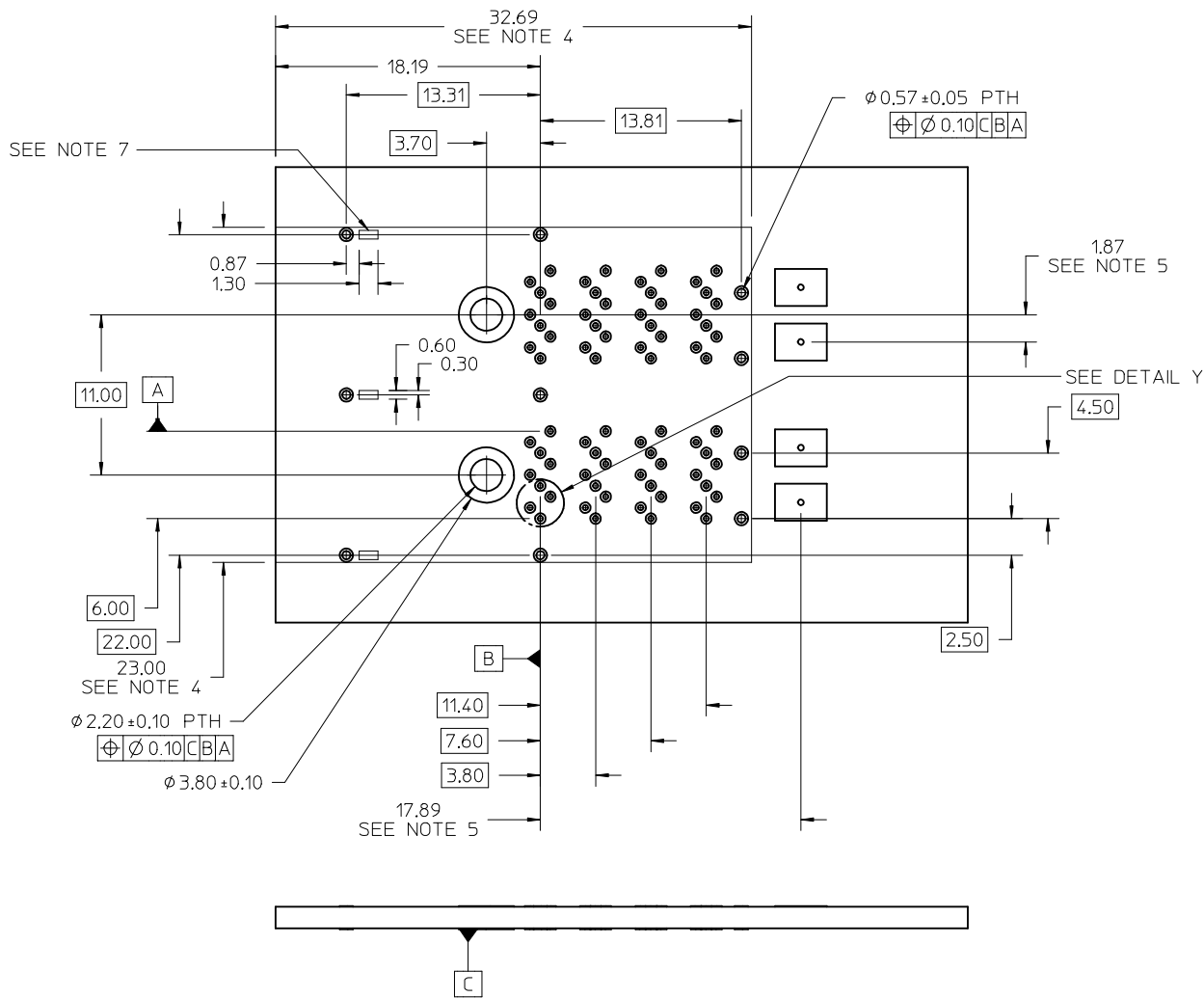


ASSEMBLED VIEW



I/O BRACKET CUT OUT
(BRACKET NOT SUPPLIED)

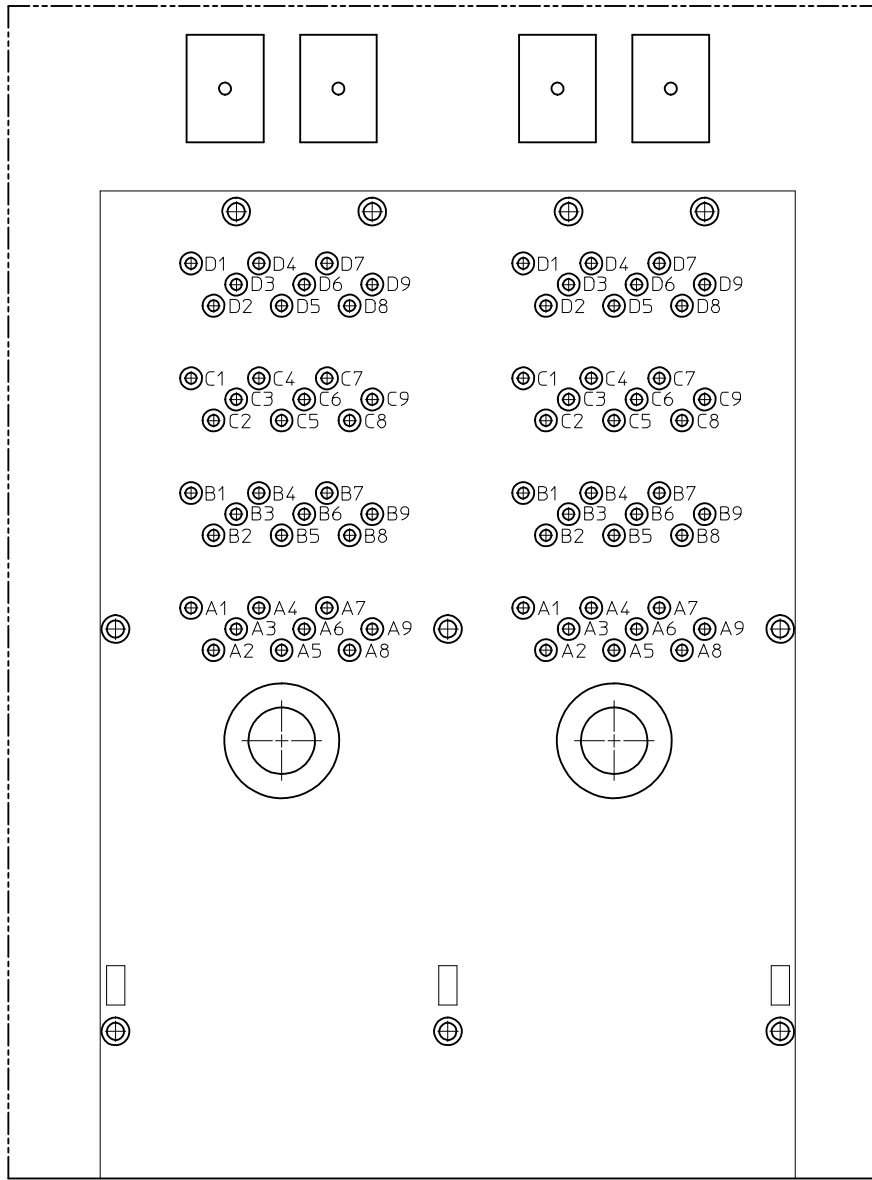
SEE SHEET 1 IEC NO: UCP2015-5060 DRINKKALLAGHAN 2015/06/01 CHKD:TMCCLELLAND 2015/06/03 APPR:TMCCLELL 2015/06/18	QUALITY SYMBOLS	GENERAL TOLERANCES (UNLESS SPECIFIED)	DIMENSION STYLE	SCALE	DESIGN UNITS	THIRD ANGLE PROJECTION
	▽=0	mm INCH	MM ONLY	2:1	METRIC	
	▽=0	4 PLACES ± --- ± ---	DRAWN BY DATE	TITLE	IPASS PLUS HD 1X2 ASSEMBLY LIGHT PIPE moLEX	
	▽=0	3 PLACES ± --- ± ---	KLANG 2009/06/02	SD-76866-025		
	2 PLACES ± 0.13 ± ---	CHECKED BY DATE			SHEET NO.	
	1 PLACE ± 0.25 ± ---	TMCCLELLAND 2013/10/16			2 OF 5	
	0 PLACE ± ±	APPROVED BY DATE				
		MBANAKIS 2010/01/14				
		MATERIAL NO.	SEE SHEET 1			
		ANGULAR ±1/2°				
		DRAFT WHERE APPLICABLE MUST REMAIN WITHIN DIMENSIONS				



- NOTES:
1. RECOMMENDED DRILL SIZE AND ANNULAR RING FOR 0.37 ϕ FINISHED PTH - REFER TO APPLICATION SPECIFICATION AS-76866-001
 2. MINIMUM RECOMMENDED SPACING IS 25.00MM
 3. MINIMUM PCB THICKNESS: 1.57MM
 4. CONNECTOR KEEP OUT AREA
 5. LOCATION OF LED CENTERLINE
 6. RECOMMENDED DRILL SIZE AND ANNULAR RING FOR 0.57 ϕ FINISHED PTH - REFER TO APPLICATION SPECIFICATION AS-76866-001
 7. CAGE STAND OFF AREA, NO TRACES ON SURFACE OF PCB IN THESE AREAS

RECOMMENDED FOOTPRINT

SEE SHEET 1 EC NO: UCP2015-5060 DRINKKALLAGHAN 2015/06/01 CHKD:TMCCLELLAND 2015/06/03 APPR:TMCCLELL 2015/06/18	DESCRIPTION REV:	QUALITY SYMBOLS	GENERAL TOLERANCES (UNLESS SPECIFIED)	DIMENSION STYLE MM ONLY	SCALE 4:1	DESIGN UNITS METRIC	THIRD ANGLE PROJECTION
		▽=0	mm INCH	DRAWN BY DATE KLANG 2009/06/02	TITLE IPASS PLUS HD 1X2 ASSEMBLY LIGHT PIPE		
		▽=0	4 PLACES ± --- ± ---	CHECKED BY DATE TMCCLELLAND 2013/10/16	molex		
		▽=0	3 PLACES ± --- ± ---	APPROVED BY DATE MBANAKIS 2010/01/14			
		ANGULAR ±1/2°	MATERIAL NO.	DOCUMENT NO.	SHEET NO.		
D6		DRAFT WHERE APPLICABLE MUST REMAIN WITHIN DIMENSIONS	SEE SHEET 1	SD-76866-025	3 OF 5		
THIS DRAWING CONTAINS INFORMATION THAT IS PROPRIETARY TO MOLEX INCORPORATED AND SHOULD NOT BE USED WITHOUT WRITTEN PERMISSION							



CIRCUIT IDENTIFICATION

Partial1
SCALE 8:1

SEE SHEET 1 EC NO: UCP2015-5060 DRINKCALLAGHAN 2015/06/01 CHKD: TMCLELLAND 2015/06/03 APPR: TMCLELL 2015/06/18	QUALITY SYMBOLS ▽=0 ▽=0 ▽=0	GENERAL TOLERANCES (UNLESS SPECIFIED) mm INCH 4 PLACES ± --- ± --- 3 PLACES ± --- ± --- 2 PLACES ± 0.13 ± --- 1 PLACE ± 0.25 ± --- 0 PLACE ± ±	DIMENSION STYLE MM ONLY DRAWN BY DATE KLANG 2009/06/02 CHECKED BY DATE TMCLELLAND 2013/10/16 APPROVED BY DATE MBANAKIS 2010/01/14	SCALE 8:1 DESIGN UNITS METRIC THIRD ANGLE PROJECTION	TITLE IPASS PLUS HD 1X2 ASSEMBLY LIGHT PIPE molex	MATERIAL NO. SEE SHEET 1 DOCUMENT NO. SD-76866-025	SHEET NO. 5 OF 5	
	REV D6	DESCRIPTION	ANGULAR ±1/2° DRAFT WHERE APPLICABLE MUST REMAIN WITHIN DIMENSIONS	SIZE C	THIS DRAWING CONTAINS INFORMATION THAT IS PROPRIETARY TO MOLEX INCORPORATED AND SHOULD NOT BE USED WITHOUT WRITTEN PERMISSION			