

5207953-3 ✓ ACTIVE

AMPLIMITE | AMPLIMITE Kit

TE Internal #: 5207953-3

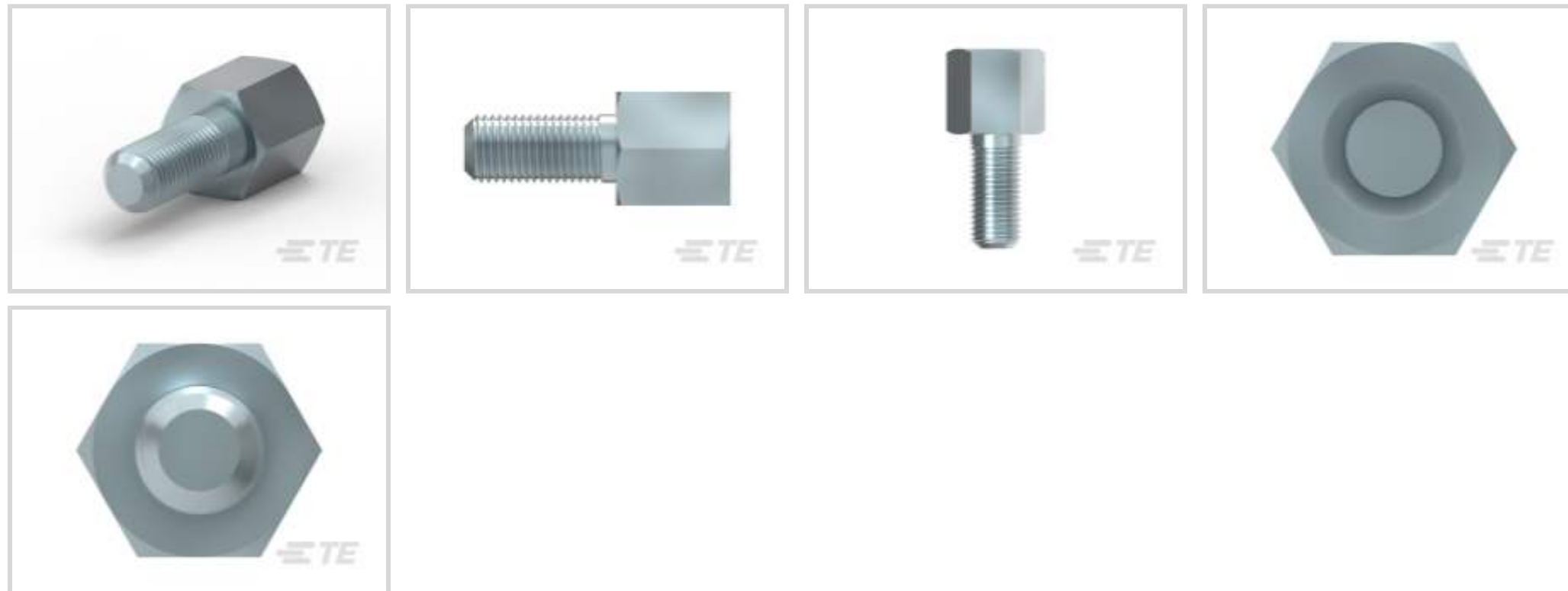
D-Sub Locking & Mounting, Female Screwlocks, Screw Length

11.13 mm [.438 in], AMPLIMITE Kit

[View on TE.com >](#)



Connectors > D-Shaped Connectors > D-Sub Accessories > D-Sub Locking & Mounting



Connector Mounting Accessory Type: **Female Screwlocks**

Screw Length: **11.13 mm [.438 in]**

Features

Product Type Features

Connector Mounting Accessory Type	Female Screwlocks
-----------------------------------	-------------------

Mechanical Attachment

Screw Plating Material	Zinc
Screwlock Style	Screwlock Only
Screw Material	Cold Rolled Steel
Screw Finish	Clear Chromate
Thread Size	4-40 UNC
Screw Length	11.13 mm[.438 in]

Dimensions

Thread Length	6.35 mm[.25 in]
---------------	-----------------

Packaging Features

Packaging Quantity	1
Packaging Method	Package

Product Compliance

[For compliance documentation, visit the product page on TE.com>](#)

EU RoHS Directive 2011/65/EU

Compliant with Exemptions

EU ELV Directive 2000/53/EC

Compliant with Exemptions

China RoHS 2 Directive MIIT Order No 32, 2016

Restricted Materials Above Threshold

EU REACH Regulation (EC) No. 1907/2006

Current ECHA Candidate List: JUNE 2023
(235)Candidate List Declared Against: JUNE
2023 (235)

SVHC > Threshold:

Pb (.35% in Component Part)

Article Safe Usage Statements:Do not eat, drink or smoke when using this product. Wash thoroughly after
handling. Recycle if possible and dispose of the article by following all applicable
governmental regulations relevant to your geographic location.

Halogen Content

Low Halogen - Br, Cl, F, I < 900 ppm per
homogenous material. Also BFR/CFR/PVC
Free

Solder Process Capability

Not applicable for solder process capability

Product Compliance Disclaimer

This information is provided based on reasonable inquiry of our suppliers and represents our current actual knowledge based on the information they provided. This information is subject to change. The part numbers that TE has identified as EU RoHS compliant have a maximum concentration of 0.1% by weight in homogenous materials for lead, hexavalent chromium, mercury, PBB, PBDE, DBP, BBP, DEHP, DIBP, and 0.01% for cadmium, or qualify for an exemption to these limits as defined in the Annexes of Directive 2011/65/EU (RoHS2). Finished electrical and electronic equipment products will be CE marked as required by Directive 2011/65/EU. Components may not be CE marked. Additionally, the part numbers that TE has identified as EU ELV compliant have a maximum concentration of 0.1% by weight in homogenous materials for lead, hexavalent chromium, and mercury, and 0.01% for cadmium, or qualify for an exemption to these limits as defined in the Annexes of Directive 2000/53/EC (ELV). Regarding the REACH Regulation, the information TE provides on SVHC in articles for this part number is based on the latest European Chemicals Agency (ECHA) 'Guidance on requirements for substances in articles' posted at this URL: <https://echa.europa.eu/guidance-documents/guidance-on-reach>

Compatible Parts

Also in the Series | **AMPLIMITE Kit**



Connector Backshells(102)



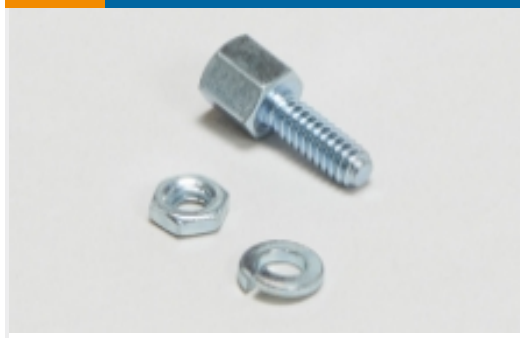
Connector Strain Relief(30)



D-Sub Contact Accessories(1)



D-Sub Covers(3)



D-Sub Locking & Mounting(119)

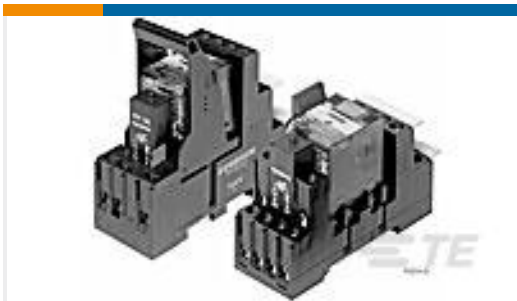
Customers Also Bought



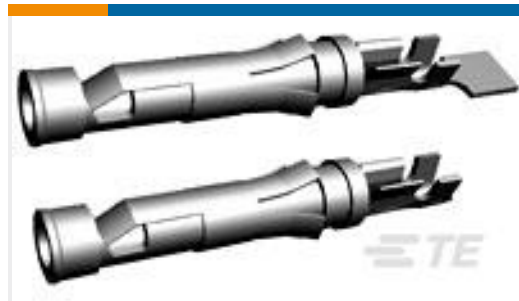
TE Part #6609031-3
2ER1 M0=F7179



TE Part #2-2176092-8
RP 2A 0.25W 1K33 0.1% 25PPM 1K RL



TE Part #1415366-1
PT5S7SB5



TE Part #1-66563-1
III+ SKT,24-20,TIN,STRIP



TE Part #3-1623728-7
BCHE 11 W 15R 10%



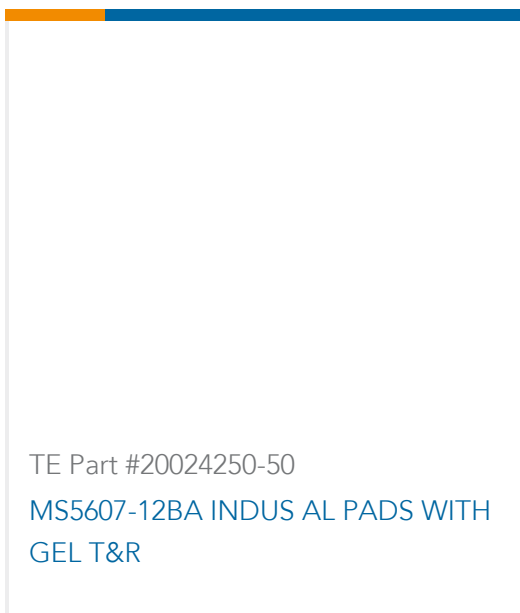
TE Part #2-87175-0
09 LOCKING CLIP HSG SR .100CL



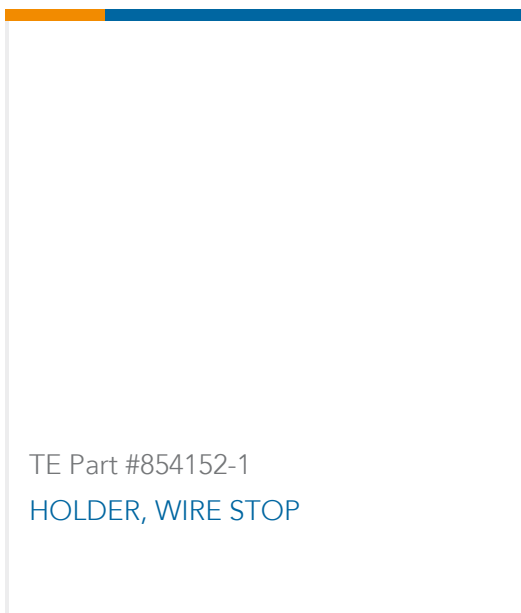
TE Part #456402-2
CRIMPER, WIRE .055 "F"



TE Part #3-2176375-5
RQ 0805 2K61 0.1% 10PPM 1K RL



TE Part #20024250-50
MS5607-12BA INDUS AL PADS WITH GEL T&R



TE Part #854152-1
HOLDER, WIRE STOP

Documents



Product Drawings

FEMALE SCREWLOCK, SHORT, ZN

English

CAD Files

3D PDF

3D

Customer View Model

[ENG_CVM_CVM_5207953-3_O.2d_dxf.zip](#)

English

Customer View Model

[ENG_CVM_CVM_5207953-3_O.3d_igs.zip](#)

English

Customer View Model

[ENG_CVM_CVM_5207953-3_O.3d_stp.zip](#)

English

By downloading the CAD file I accept and agree to the [Terms and Conditions](#) of use.

Datasheets & Catalog Pages

AMPLIMITE Subminiature D Connectors - Cable Connectors

English

AMPLIMITE Cable Connectors and Shielding Hardware Kits QRG

English

Product Environmental Compliance

Product Compliance Document

English

Product Compliance Document

English