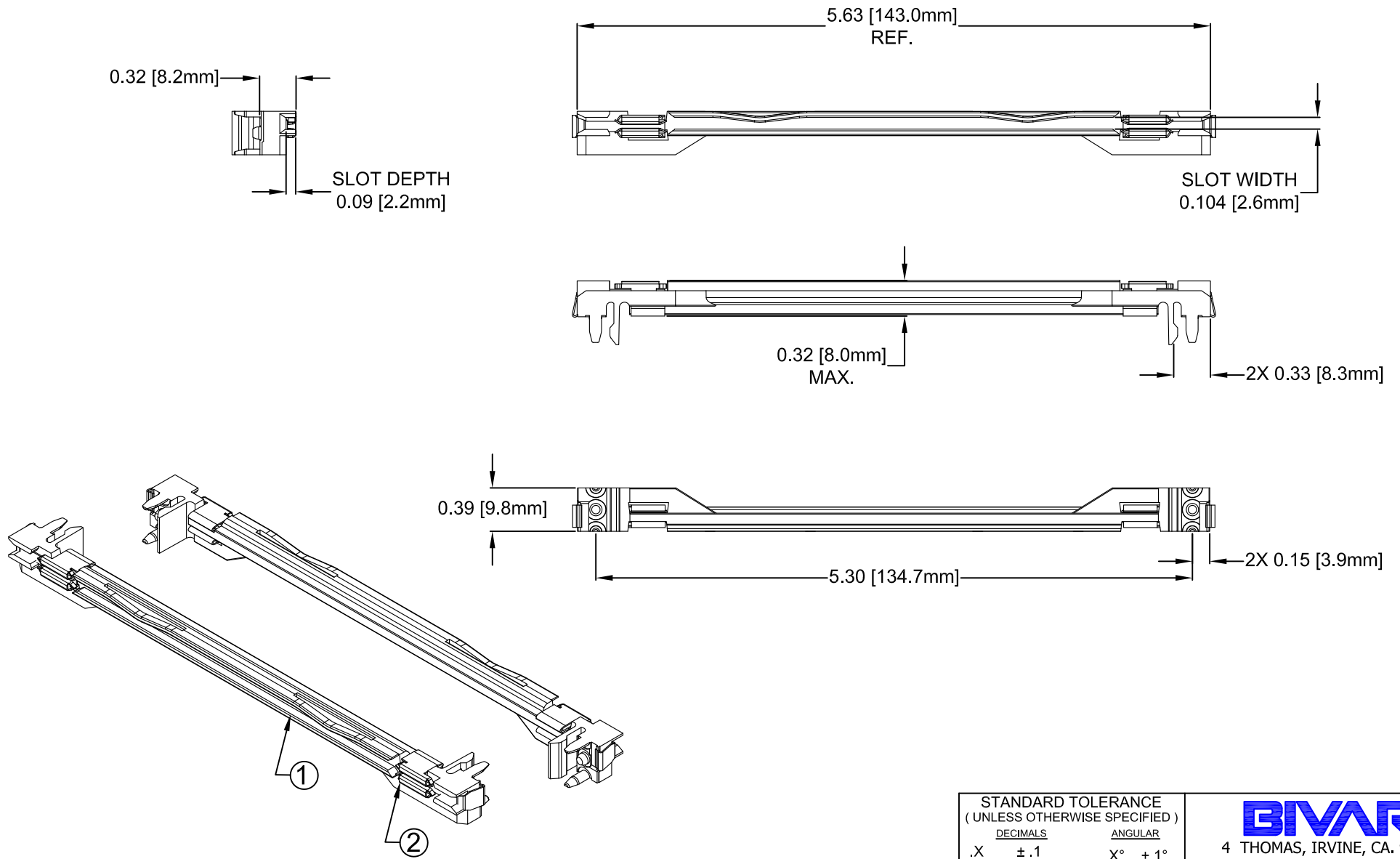




ITEM	Q'TY	PART NUMBER	PART DESCRIPTION
1	1	CPCI-MV160	Card Guide, Pre-Assembled with Aluminum Body
2	2	CPCI-ESD3	CPCI ESD Clips, PCB Grounding

REV.	DESCRIPTION	DATE	APPROVED
B	Engineering Release.	11/19/14	J. C.



3. ESD CLIPS COME PRE-ASSEMBLED
2. MATERIAL: POLYCARBONATE, 20% GLASS FILLED & ALUMINUM BODY
1. GENERAL SPECIFICATIONS: BIVAR MOLDED COMPONENT SPECIFICATION BV00-E101.

STANDARD TOLERANCE (UNLESS OTHERWISE SPECIFIED)		 <b>BIVAR</b> <sup>®</sup> 4 THOMAS, IRVINE, CA. 92618 TEL: (949) 951-8808 FAX: (949) 951-3974	
DECIMALS	ANGULAR		
.X ±.1	X° ± 1°	 <b>TITLE:</b> VME CARD GUIDE WITH ESD CLIP	
.XX ±.01			
.XXX ±.005			
DESIGNED: <b>Alex Wright</b>	DATE: <b>08/21/14</b>	<b>PART NO:</b> CPCI-MV160-ESD3	REVISION: <b>B</b>
CHECKED: <b>Brian Oliver</b>	DATE: <b>08/21/14</b>	<b>CAGE CODE :</b> 32559	<b>SHEET #</b> 1 OF 1
CAD GENERATED DOCUMENT, DO NOT MEASURE DRAWING.			