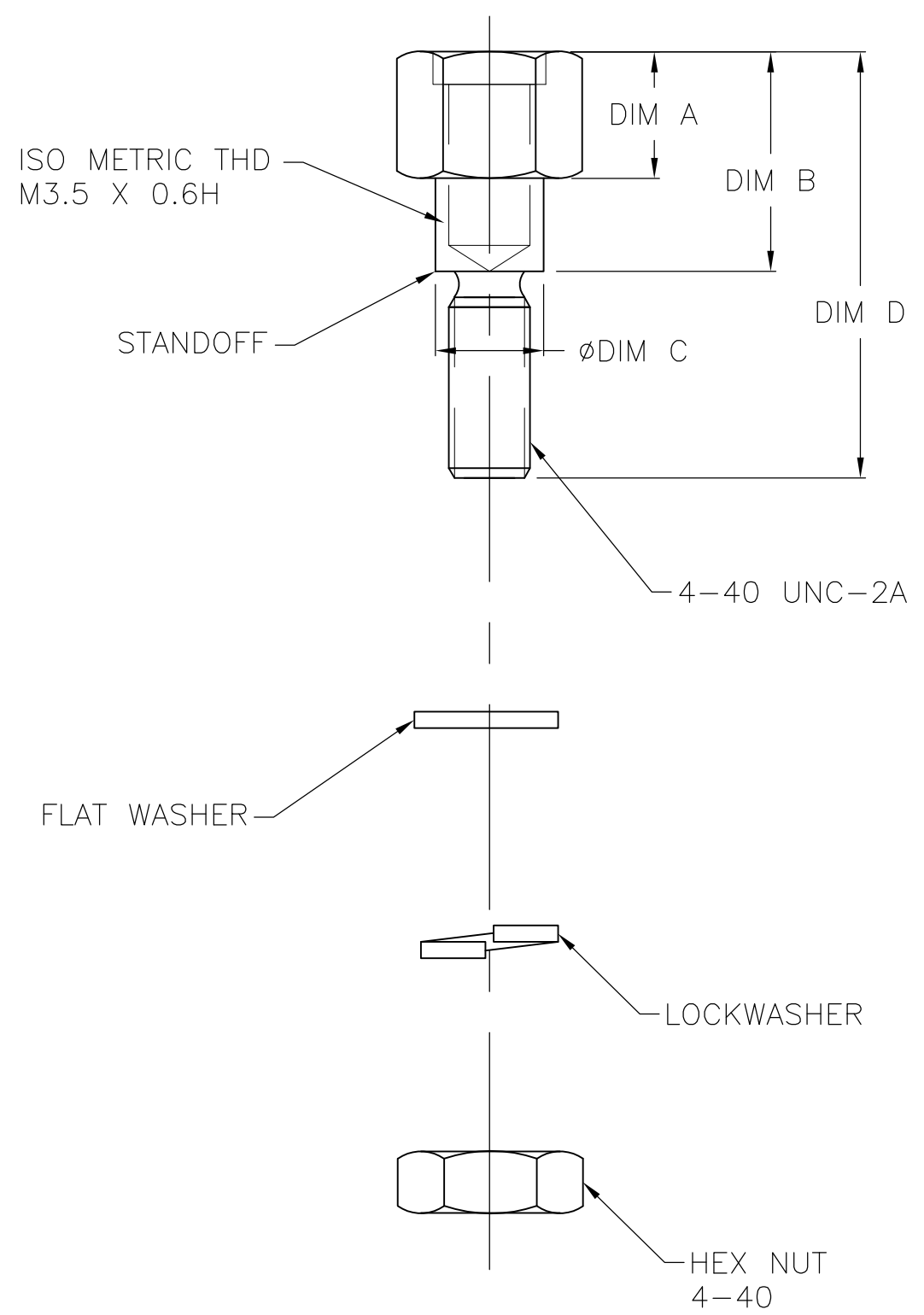


THIS DRAWING IS UNPUBLISHED. RELEASED FOR PUBLICATION
 © COPYRIGHT - By - ALL RIGHTS RESERVED.

LOC	DIST	REVISIONS			
P	LTR	DESCRIPTION	DATE	DWN	APVD
GP	00	P			
		P	REVISED PER ECO-11-004835	11MAR11	RK HMR



1. ALL DIMENSIONS SHOWN ARE FOR REFERENCE ONLY.
 2. 2 REQUIRED OF EACH COMPONENT PER KIT.
- △3 MATERIAL:
 STANDOFF: BLACK ZINC PLATED CARBON STEEL.
 NUT, FLAT WASHER & LOCKWASHER: ZINC PLATED CARBON STEEL.

16.51[.650]	4.7[.185]	8.5[.335]	4.9[.193]	5552633-4
16.51[.650]	4.2[.165]	8.6[.339]	6.5[.256]	5552633-3
DIM D	DIM C	DIM B	DIM A	PART NUMBER

THIS DRAWING IS A CONTROLLED DOCUMENT.		DWN B. MCMASTER 030CT05	STE TE Connectivity		
DIMENSIONS: mm [INCHES]		CHK W. MILLHIMES 030CT05			
TOLERANCES UNLESS OTHERWISE SPECIFIED:		APVD W. MILLHIMES 030CT05	NAME		
0 PLC ± -		PRODUCT SPEC	HARDWARE KIT, STANDOFF, STUD MOUNT, METRIC		
1 PLC ± -		APPLICATION SPEC	SIZE	CAGE CODE	DRAWING NO
2 PLC ± -		WEIGHT	A3	00779	C-5552633
3 PLC ± -		MATERIAL	RESTRICTED TO		
4 PLC ± -			-		
ANGLES ± -		CUSTOMER DRAWING		SCALE	SHEET
FINISH		4:1		1 OF 1	REV P
△3		△3			