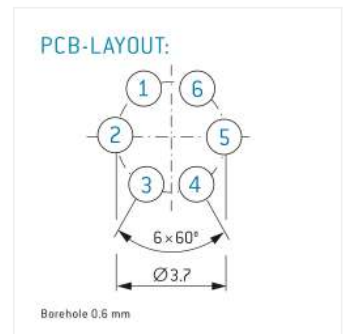
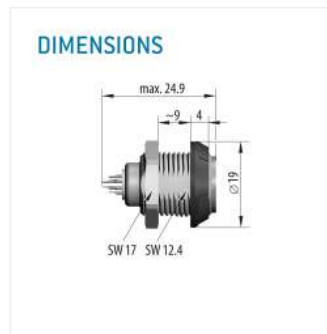
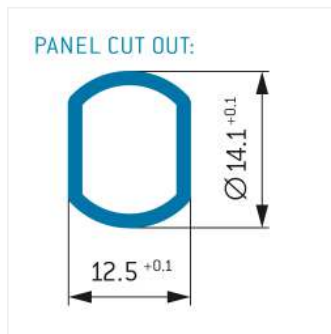
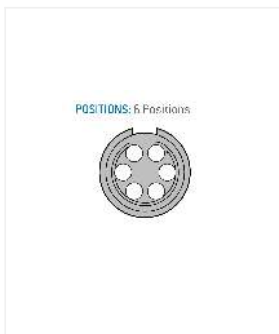


G51ME7-P06QF00-0060
medi_snap, type_g5



General information

| | |
|--------------------------|---------------------|
| Part number | G51ME7-P06QF00-0060 |
| Termination | pcb |
| Size | 1 |
| Locking principle | break , push |
| Coding | e_key_medi |



Contact insert description

| | |
|-----------------------------|---------|
| Number of contacts | 6 |
| Contact type | sockets |
| Contact diameter | 07mm |
| Insulator material | peek |
| Termination | pcb |
| Termination diameter | 05mm |

reverse_gender_on_request

Technical information

| | | |
|---|----------|---------------|
| Max. creepage and air clearance distance | 085 mm | |
| Nominal current single contact | 06_a | iec_60512_5_2 |
| Nominal current insert | 4,5 A | vde_0298_4 |
| Test voltage | 16 kv_dc | sae_13441 |

safety_text

Mechanical and environmental data

| | |
|------------------------------|----------|
| Degree of protection* | ip50 |
| Operating temperature | 50_120_c |
| Mating cycles | 5000 |

mated_unmated

Insulator materials MEDI-SNAP®

psu_peek

Material and surface treatments

| | |
|---------------------|---------------|
| Housing | psu_gray |
| Color option | blue |
| Contact | cu_alloy_gold |

safety_text_2
ul_text
illustrative_text