



REED SWITCH DEVELOPMENTS CORP.

2524 Norwood Court

Racine, WI 53403

Ph: (262)883-9060

sales@reedswitchdevelopments.com

SPECIFICATION SHEET

2451-1965-100

Alternate Part Number:

AM2451-1965-10-01

Active / Equivalent Part Numbers:

2451-1965-100 - Magnetic Reed Sensor Only

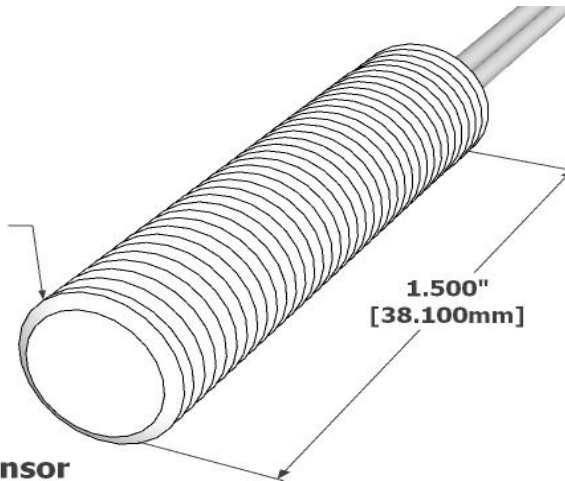
AM2451-1965-10-01 - Magnetic Reed Sensor Only

Sensor (Reed) - Specifications		1965	
Physical	Configuration	SPST	
	Form	A	
	Contact Position	CENTER	
	Glass L	19.00	mm
	Glass D	2.60	mm
	Total L*	55.00	mm
	Wire D	0.70	mm
	Gap Location	CENTER	
	Mount Spec*	THRU	
	Contact Material	RHODIUM	
	Max Vibration Resistance	35	G
	Max Shock Resistance (11ms)	50	G
	Lead Tensile Strength	N/A	KG
	Operating	Pull in (+/- 2AT)*	20 - 25
Drop out*		15	AT
Operate Time		2.00	ms
Bounce Time		0.50	ms
Release Time		0.10	µs
Resonant Frequency		4200	Hz
Max Operating Frequency		300	Hz
Operating Temperature Range		-40 - 105	°C
Storage Temperature		N/A	°C
Electrical		DC Contact Rating	40
	AC Contact Rating	40	VA
	DC Switching Voltage	400	VDC
	AC Switching Voltage	400	VAC
	DC Switching Current	2.00	A
	AC Switching Current	2.00	A
	DC Max Carry Current	3.00	A
	AC Max Carry Current	3.00	A
	Min Breakdown Voltage	1000	VDC
	Max Initial Contact Resistance	80	mOhm
	Typical Initial Contact Resistance	N/A	mOhm
	Max Contact Capacitance	0.50	pF
	Min Insulation Resistance	10 ¹¹	Ohm

* Pre-processed, bare reed element

DISCLAIMER NOTICE: INFORMATION FURNISHED IS PROPRIETARY, AND IS BELIEVED TO BE ACCURATE AND RELIABLE, AND IS SUBJECT TO CHANGE WITHOUT NOTICE. IT SHALL BE THE RESPONSIBILITY OF THE BUYER TO ENSURE THAT THE GOODS ARE SUFFICIENT AND SUITABLE FOR THE PURPOSE OR PURPOSES INTENDED (WHETHER BY THE BUYER OR BY ANY THIRD PARTY) AND THAT THEIR CAPACITY AND PERFORMANCE IS NOT ADVERSELY AFFECTED BY ANY ITEMS USED IN THEIR INSTALLATION (WHERE RELEVANT) AND/OR IN CONNECTION WITH THEM.

DIA 0.313" [7.950mm]
5/16 - 24 THREAD



**2451-1965-100
Magnetic Reed Sensor**

All measurements are in Inches [millimeters]

Sensor - Wire/Cable Characteristics (cont.)

Type	Wire
Conductor Count	2
Length	6.0"/152.4mm
Colors	BLK
Insulation Material	PVC
Gauge	24 AWG
Stranded Copper	7 STR-TC
Maximum Temp	105°C

Housing Characteristics 2451

Cylindrical Threaded (5/16-24)	
Length	1.500"/38.140mm
Diameter	0.313"/7.95mm
Material	Aluminum

Standard Sensor/Actuator - Min. Actuation Distance

2451-4006-000	0.19"/4.8mm
---------------	-------------

Assembly Certifications

UL Recognized (File #: E102207)	Y
RoHS / Reach Compliant	Y
Conflict Free Material	Y

REV DATE: 10/06/2021

WBE Certified - State of Wisconsin - MFR CAGE CODE: 32604

www.reedswitchdevelopments.com