



Connectors > Pluggable IO Connectors & Cages > SFP, SFP+ & zSFP+



Pluggable I/O Product Type: **Accessory**

Data Rate (Max): **4 Gb/s**

Lightpipe Options: **Not Optional**

Port Matrix Configuration: **1 x 1**

Number of Ports: **1**

Features

Product Type Features

Form Factor	SFP
Pluggable I/O Accessory Type	Dust Cover
Pluggable I/O Product Type	Accessory
Lightpipe Options	Not Optional
Sealable	No

Configuration Features

Port Matrix Configuration	1 x 1
Number of Ports	1

Electrical Characteristics

Data Rate (Max)	4 Gb/s
-----------------	--------

Operation/Application

For Use With Pluggable I/O Products	SFP Cage
-------------------------------------	----------

Industry Standards

UL Flammability Rating	UL 94V-0
------------------------	----------

Packaging Features



Packaging Method	Bag
------------------	-----

Other

Pluggable I/O Connectors Comment	Without AMP logo.
----------------------------------	-------------------

Product Compliance

[For compliance documentation, visit the product page on TE.com>](#)

EU RoHS Directive 2011/65/EU	Compliant
EU ELV Directive 2000/53/EC	Compliant
China RoHS 2 Directive MIIT Order No 32, 2016	No Restricted Materials Above Threshold
EU REACH Regulation (EC) No. 1907/2006	Current ECHA Candidate List: JUNE 2023 (235) Candidate List Declared Against: JAN 2023 (233) Does not contain REACH SVHC
Halogen Content	Not Low Halogen - contains Br or Cl > 900 ppm.
Solder Process Capability	Not applicable for solder process capability

Product Compliance Disclaimer

This information is provided based on reasonable inquiry of our suppliers and represents our current actual knowledge based on the information they provided. This information is subject to change. The part numbers that TE has identified as EU RoHS compliant have a maximum concentration of 0.1% by weight in homogenous materials for lead, hexavalent chromium, mercury, PBB, PBDE, DBP, BBP, DEHP, DIBP, and 0.01% for cadmium, or qualify for an exemption to these limits as defined in the Annexes of Directive 2011/65/EU (RoHS2). Finished electrical and electronic equipment products will be CE marked as required by Directive 2011/65/EU. Components may not be CE marked. Additionally, the part numbers that TE has identified as EU ELV compliant have a maximum concentration of 0.1% by weight in homogenous materials for lead, hexavalent chromium, and mercury, and 0.01% for cadmium, or qualify for an exemption to these limits as defined in the Annexes of Directive 2000/53/EC (ELV). Regarding the REACH Regulation, the information TE provides on SVHC in articles for this part number is based on the latest European Chemicals Agency (ECHA) 'Guidance on requirements for substances in articles' posted at this URL: <https://echa.europa.eu/guidance-documents/guidance-on-reach>

Compatible Parts



TE Part # CAT-SF59-C76264
SFP Connectors



TE Part # CAT-SF59-C117ST123
SFP+ Stacked Cage Assemblies



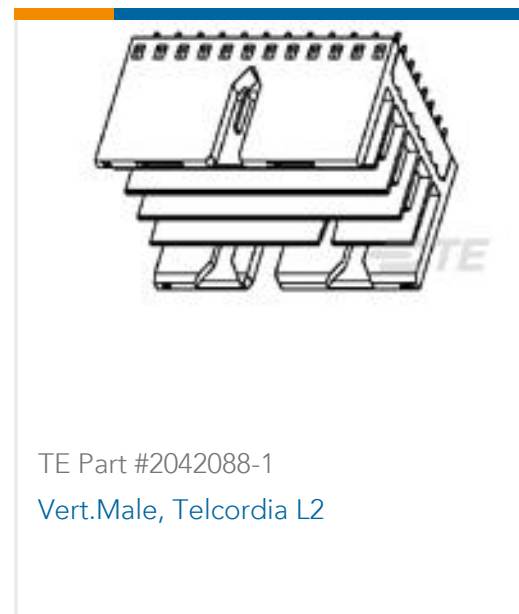
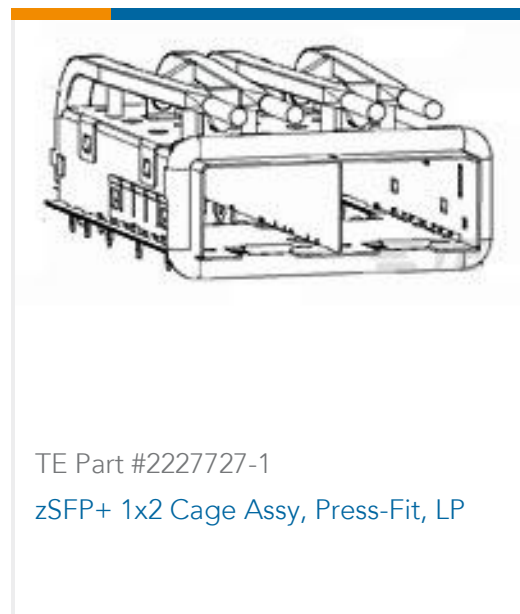
TE Part # 1367629-2
cage assy, 20 press fit, sfp w



TE Part # 2007194-1
SFP+ 1x1 Cage Assembly, PCI, Solder Tail



Customers Also Bought





Documents

Product Drawings

[SFP COVER, UNPL, NO LOGO](#)

English

CAD Files

Customer View Model

[ENG_CVM_1367147-3_C.2d_dxf.zip](#)

English

Customer View Model

[ENG_CVM_1367147-3_C.3d_igs.zip](#)

English

Customer View Model

[ENG_CVM_1367147-3_C.3d_stp.zip](#)

English

3D PDF

English

By downloading the CAD file I accept and agree to the [Terms and Conditions](#) of use.

Datasheets & Catalog Pages

[1773408-1 Pluggable Input/Output Solutions catalog - SFP section](#)

English

[4-1773455-3 - Quick Reference Guide SFP+ Solutions](#)

English

[4-1773455-4 Quick Reference Guide SFP Solutions](#)

English

Product Specifications



Application Specification

English

Product Environmental Compliance

Product Compliance Document

English

Product Compliance Document

English

Instruction Sheets

Instruction Sheet (U.S.)

English