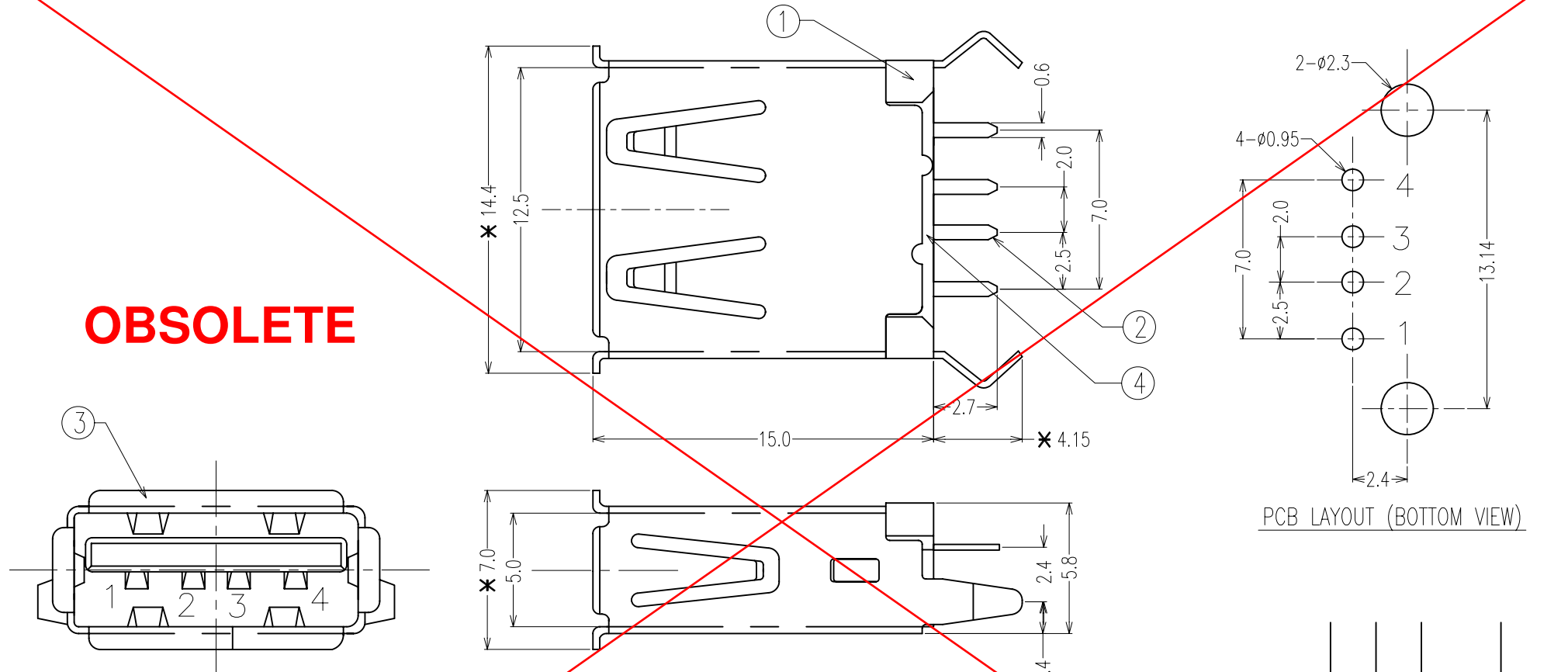


**OBSOLETE**



PCB LAYOUT (BOTTOM VIEW)

SPECIFICATIONS:

MATERIAL:-

- ① HOUSING: P.B.T G.F, WHITE, QTY:1
  - ② PIN TERMINAL: PHOSPHOR BRONZE, T=0.25mm, QTY: 4
  - ③ SHELL: BRASS, T=0.3mm, QTY: 1
  - ④ BOTTOM COVER: P.B.T G.F, WHITE, QTY: 1
- FINISH:-
- ② PIN TERMINAL: GOLD/TIN PLATED OVER NICKEL
  - ③ SHELL: TIN PLATED

NOTES: ALL DIMENSIONS AND NOTES MARKED \* ARE CRITICAL AND MUST BE CHECKED IN ACCORDANCE WITH QUALITY DOC. Q1-02A

TOLERANCES  
X.X = ±0.20mm  
X.XX = ±0.10mm

NAME	Allan	ISS.	1	DATE	01.08.06	C/NOTE	-
APPROVED:	_____						
CHECKED:	_____ <i>Boon</i>						
DRAWN:	Allan						
CUSTOMER REF.:	_____						
ASSEMBLY DRG:	_____						

**HARWIN**

HARWIN USA  
TEL: 603 893 5376  
FAX: 603 893 5396  
mis@harwin.com

HARWIN Europe (UK)  
TEL: 023 9231 4545  
FAX: 023 9231 4590  
mis@harwin.co.uk

HARWIN Asia  
TEL: +65 6 779 4909  
FAX: +65 6 779 3868  
mis@harwin.com.sg

THIS DRAWING AND ANY INFORMATION OR DESCRIPTIVE MATTER SET OUT HEREON ARE CONFIDENTIAL AND COPYRIGHT PROPERTY OF THE HARWIN GROUP AND MUST NOT BE DISCLOSED, LOANED, COPIED OR USED FOR MANUFACTURING, TENDERING OR FOR ANY OTHER PURPOSE WITHOUT THEIR WRITTEN PERMISSION.

TOLERANCES  
X. = ±1mm  
X.X = ±0.25mm  
X.XX = ±0.10mm  
X.XXX = ±0.01mm  
ANGLES = ±5°  
UNLESS STATED

MATERIAL: SEE NOTES  
FINISH: SEE NOTES  
S/AREA: mm<sup>2</sup>

TITLE: USB A TYPE FEMALE DIP 180°  
DRAWING NUMBER: M701-240442