

SMD VCTCXO

ASVTX-11-121-19.200MHz-T



3.2 X 2.5 X 0.9mm



RoHS/RoHS II compliant



ESD Sensitive

MSL = N/A

* No Last Time Buy*

Alternative is other ASVTX-11 series parts.

FEATURES:

- 3.2 x 2.5 x 0.9mm miniature package
- Low current consumption: 1.8mA max
- Vc function corresponds to PLL circuits
- Suitable for RoHS reflow profile

APPLICATIONS:

- Cellular and cordless phones
- Standard OSC for test equipment
- Mobile communication equipment
- Portable radio equipment and music player
- PLL

STANDARD SPECIFICATIONS:

Parameters		Minimum	Typical	Maximum	Units	Notes
Center Frequency		19.200			MHz	
Operating Temperature		-40		+85	°C	
Storage Temperature		-40		+85	°C	
Frequency Stability $\Delta f/f_0$ vs						
Tolerance (@+25°C) after reflow		-2.0		+2.0	ppm	@Vc = 2.0±0.2V
Temperature (ref. to +25°C)		-2.0		+2.0	ppm	
Supply Voltage Change (Vdd±5%)		-0.2		+0.2	ppm	
Load Change (ZL±10%)		-0.2		+0.2	ppm	
Supply Voltage (Vdd)		+3.135	+3.3	+3.465	V	
Aging (first year @+25°C)		-1.0		+1.0	ppm	
Supply Current (Icc)				1.8	mA	
Voltage Control Function	Control Voltage (Vc)	+1.0	+2.0	+3.0	Vdc	
	Frequency Tuning Range	±8			ppm	
	Frequency Tuning Transition	Positive				
	Input Impedance	500	650		kΩ	
Output	Voltage	0.8			Vp-p	
	Load	10kΩ//10pF				
	Waveform	Clipped Sine Wave				
Phase Noise			-135		dBc	@1kHz

SMD VCTCXO

ASVTX-11-121-19.200MHz-T



ESD Sensitive

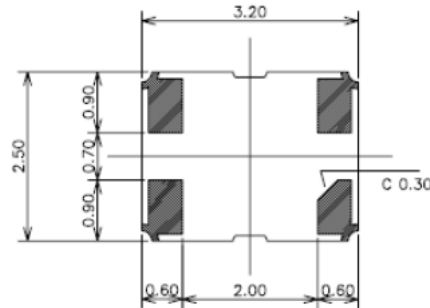
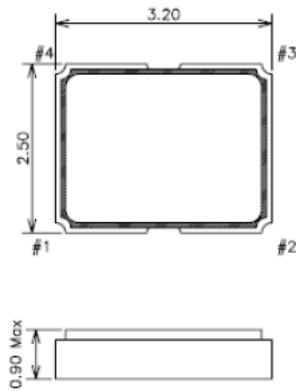


RoHS/RoHS II compliant

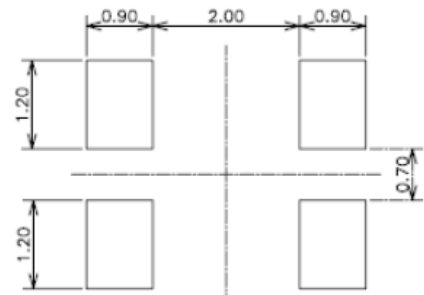


3.2 X 2.5 X 0.9mm

OUTLINE DIMENSION:



Recommended Land Pattern



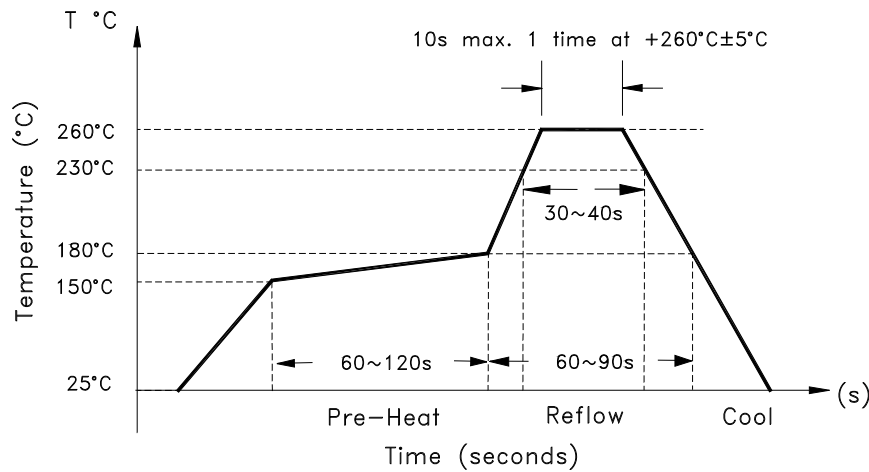
Pin	Function
1	Vc
2	GND
3	Output
4	Vdd

Note 1: It is not recommended that paths go underneath the oscillator. If needed, please use multi-layer PCB board or resist coating.

Note 2: Recommend using an approximately 0.01μF bypass capacitor between Pin 2 and 4.

Dimensions: mm

REFLOW PROFILE:



SMD VCTCXO

ASVTX-11-121-19.200MHz-T



ESD Sensitive



RoHS/RoHS II compliant

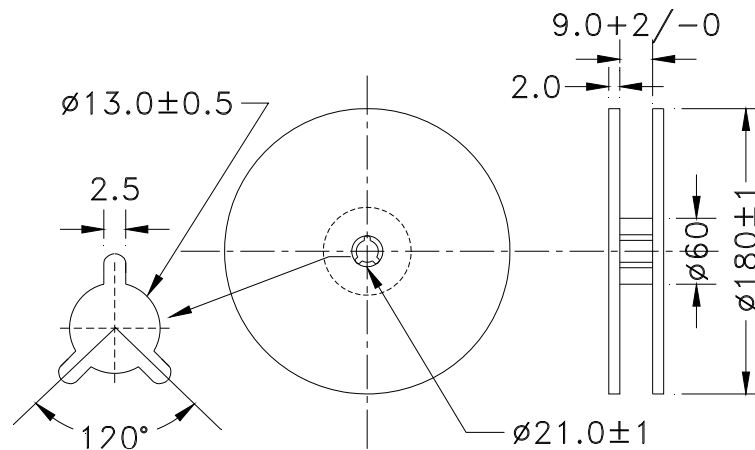
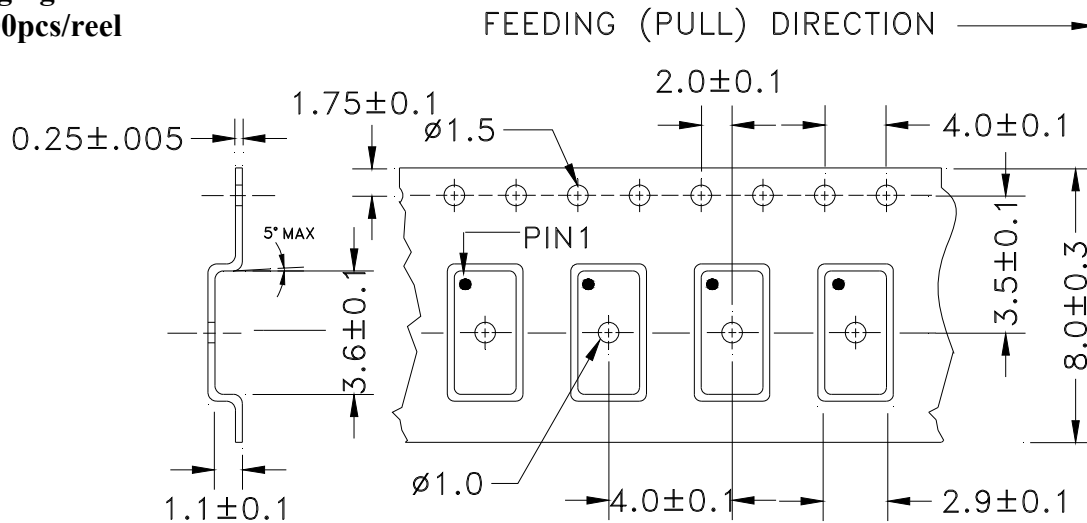


3.2 X 2.5 X 0.9mm

TAPE & REEL:

Packaging:

T: 2000pcs/reel



Dimensions: mm

ATTENTION: Abracon Corporation's products are COTS – Commercial-Off-The-Shelf products; suitable for Commercial, Industrial and, where designated, Automotive Applications. Abracon's products are not specifically designed for Military, Aviation, Aerospace, Life-dependant Medical applications or any application requiring high reliability where component failure could result in loss of life and/or property. For applications requiring high reliability and/or presenting an extreme operating environment, written consent and authorization from Abracon Corporation is required. Please contact Abracon Corporation for more information.

ABRACON IS
ISO9001:2008
CERTIFIED



2 Faraday, Suite# B | Irvine | CA 92618 **Revised: 10.19.15**
Ph. 949.546.8000 | Fax. 949.546.8001

Visit www.abracon.com for Terms and Conditions of Sale