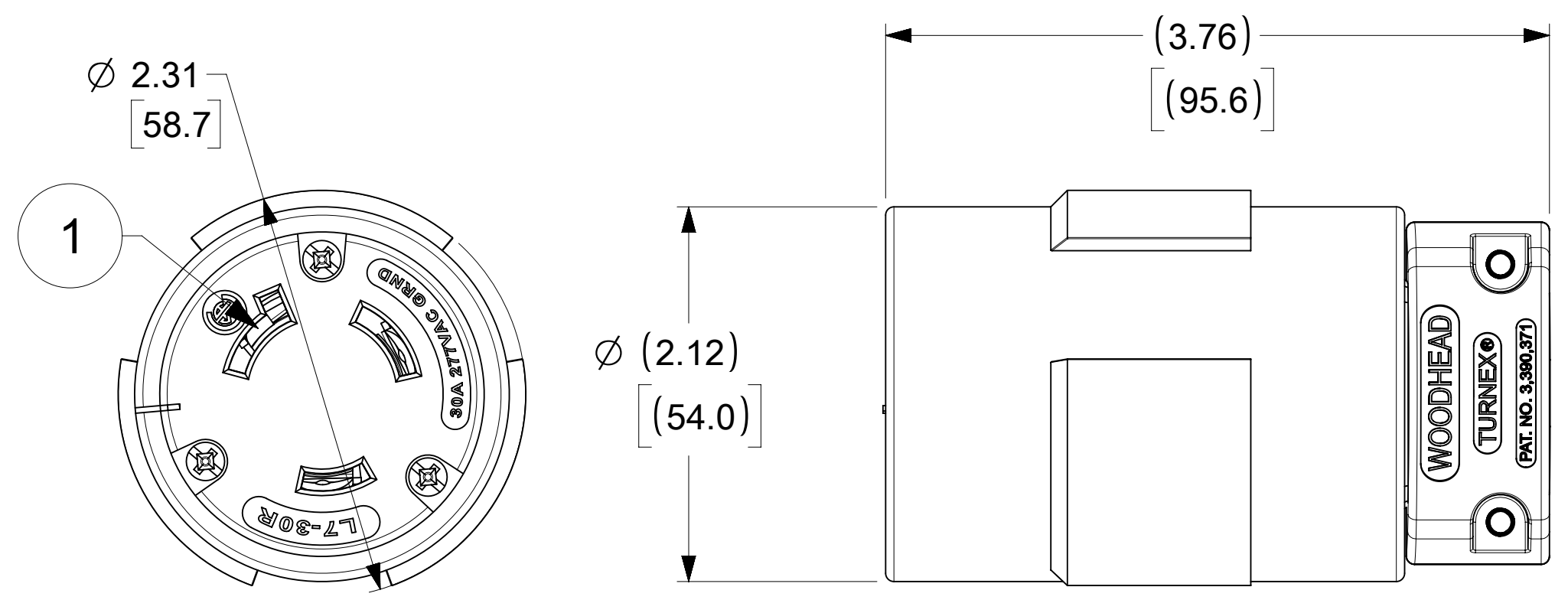
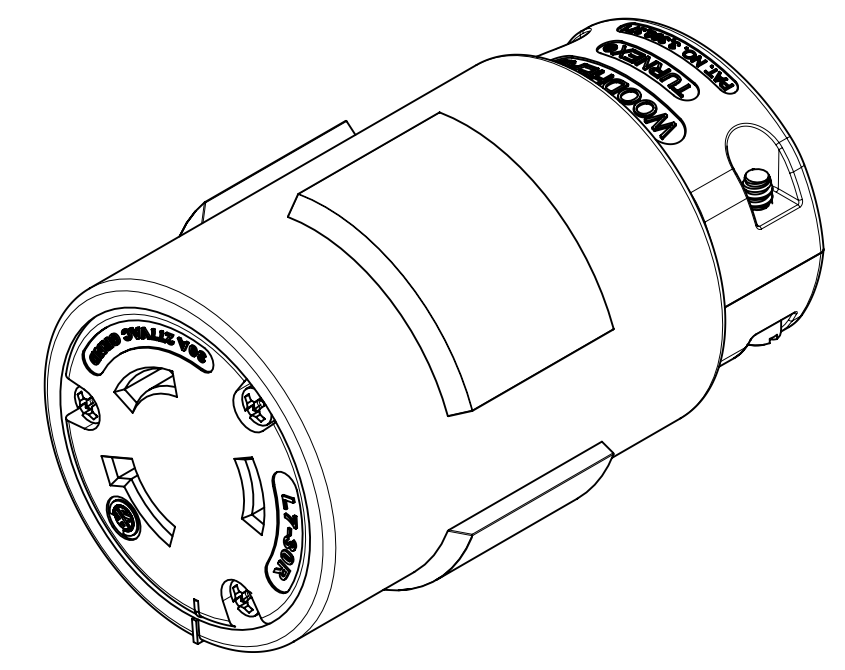
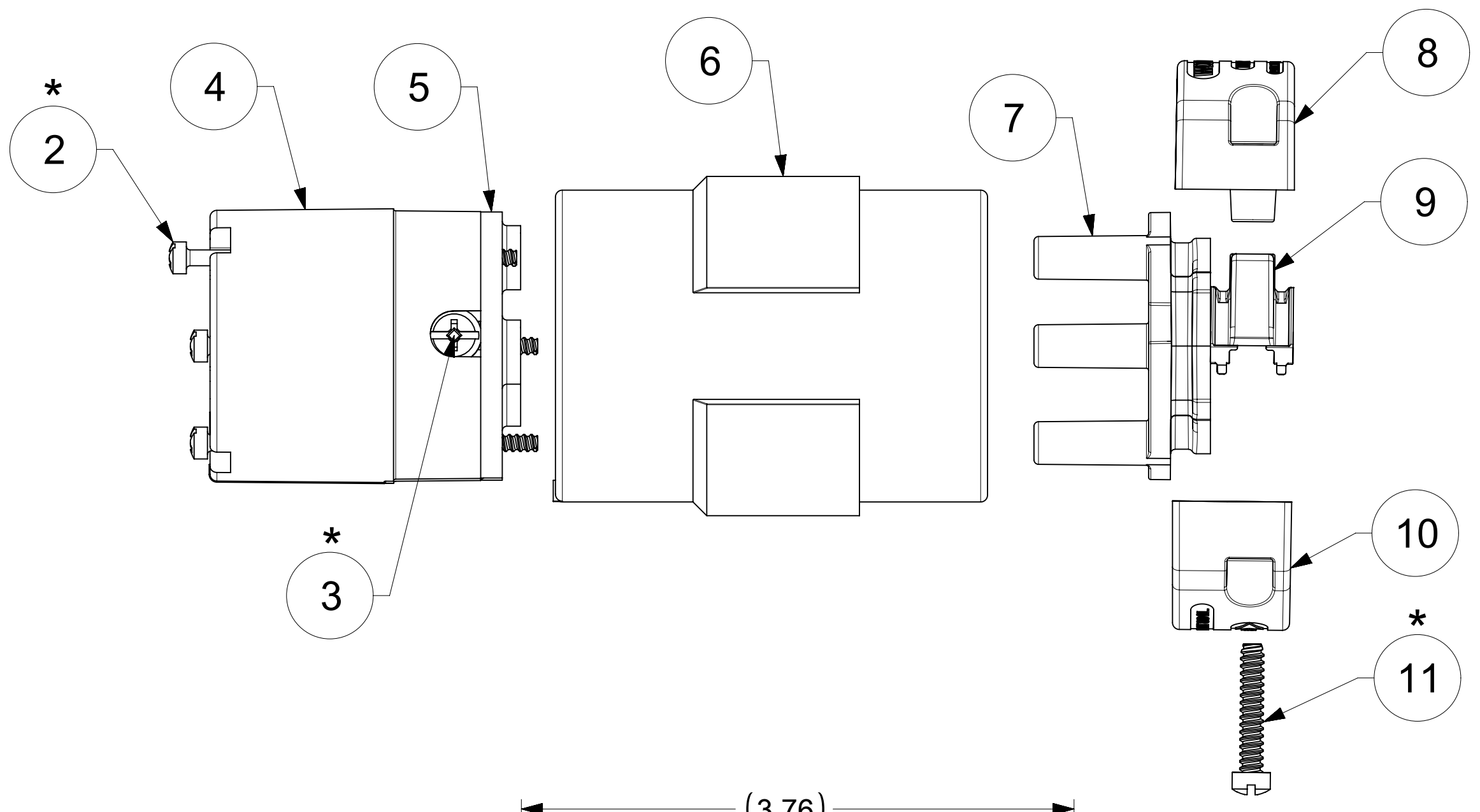
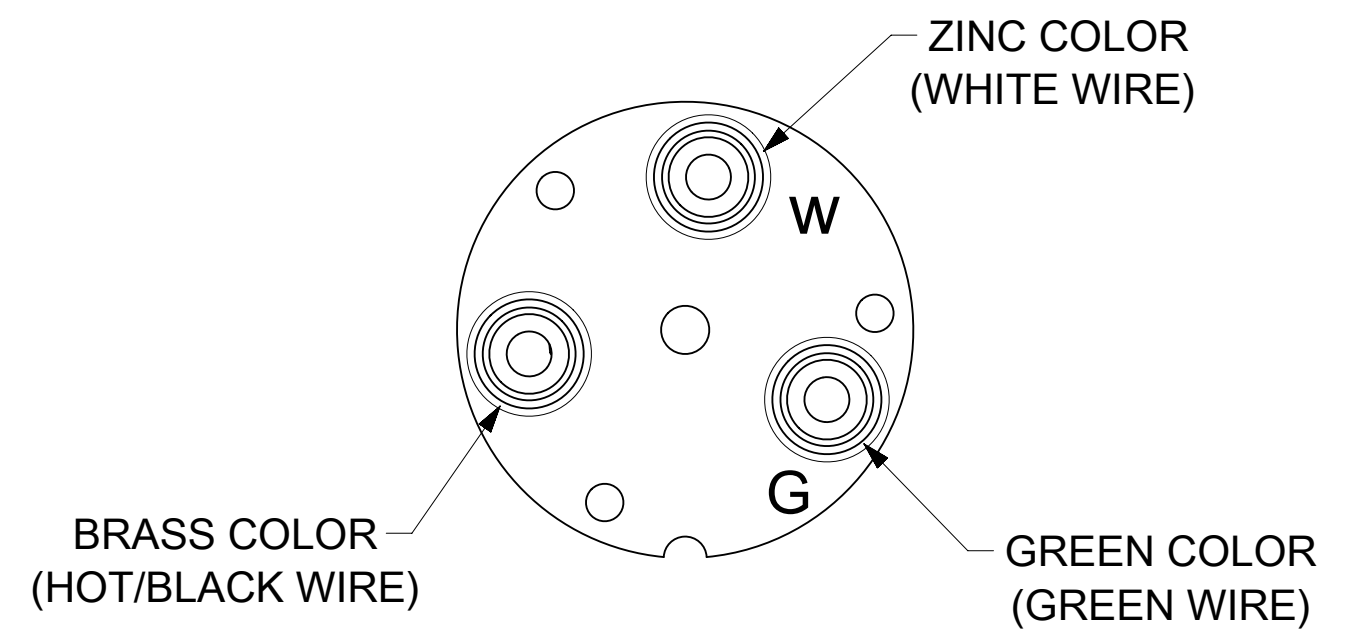


ORDER NO.	WOODHEAD NO.	COLOR
130141-0069	2949	YELLOW



**WIRING TERMINATION**



\* FOR SCREW TORQUE, SEE ASSEMBLY INSTRUCTIONS

ITEM NO.	DESCRIPTIONS	MATERIAL	QTY.
1	CLIPS	BRASS, NICKEL PLATED	3
2	RETAINING SCREWS	STAINLESS STEEL	3
3	TERMINAL SCREWS/CLAMP ASSEMBLY	BRASS, ZINC PLATED	3
4	INSERT	NYLON	1
5	TERMINAL COVER	POLYCARBONATE	1
6	CONNECTOR HOUSING	RUBBER	1
7	CLAMP SUPPORT	NYLON	1
8	CLAMP CORD MALE	NYLON	1
9	CLAMP CORD INSERT	NYLON	1
10	CLAMP CORD FEMALE	NYLON	1
11	RETAINING SCREWS	STEEL	2

SYMBOLS DIMENSION UNITS: INCH/MM SCALE: NTS CURRENT REV DESC: NEW RELEASE		EC NO: 628225 DRWN: VHANDI 2019/06/21 CHK'D: DNGUYEN62 2019/12/13 APPR: HKNEELAND 2020/06/01			
GENERAL TOLERANCES (UNLESS SPECIFIED) 4 PLACES ± 3 PLACES ± 2 PLACES ± 1 PLACE ± 0 PLACES ±		INITIAL REVISION: DRWN: VHANDI 2019/06/21 APPR: HKNEELAND 2020/06/01		PRODUCT CUSTOMER DRAWING DOCUMENT NUMBER: 1301410069 DOC TYPE: PSD DOC PART: 000 REVISION: A	
ANGULAR TOL ± ° DRAFT WHERE APPLICABLE MUST REMAIN WITHIN DIMENSIONS		THIRD ANGLE PROJECTION DRAWING SERIES: C-SIZE 130141		MATERIAL NUMBER: SEE TABLE CUSTOMER: GENERAL MARKET SHEET NUMBER: 1 OF 1	