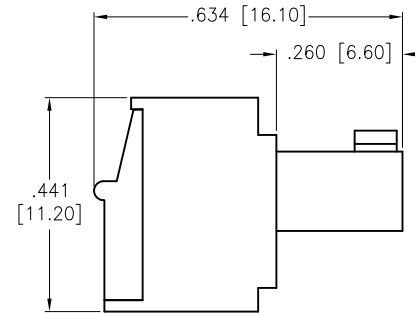
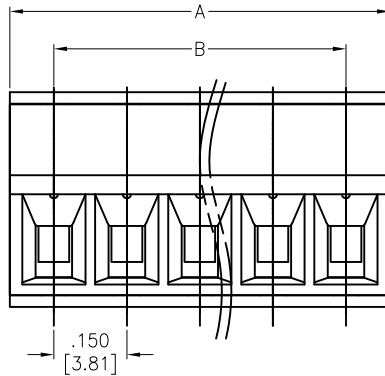
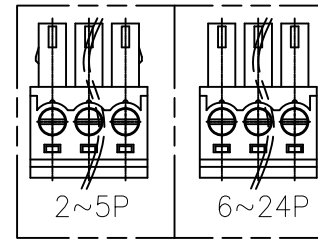
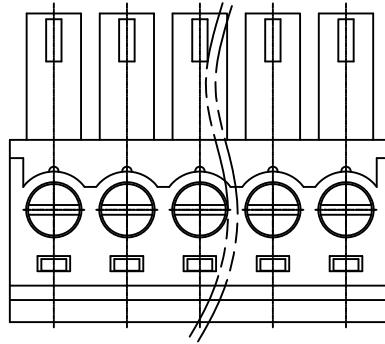


APPROVED: _____
 DATE: _____ TITLE: _____

| Rev | AWO # | Description | Date | Appr |
|-----|-------|----------------|---------|-------|
| - | | RELEASED | 5/2/14 | |
| A | | REVISED DIM. | 6/4/14 | HR/VY |
| B | | UPDATE SPEC. | 8/27/15 | AY |
| C | | UPDATE DRAWING | 4/11/17 | AY |
| D | | UPDATE SPEC. | 7/28/20 | AY/EY |



SPECIFICATIONS:
 Material:
 Insulator: PA66, rated UL 94V-0
 Insulator color: Green
 Screws: M2
 Contactor Material: Copper Alloy, Nickel plated
Electrical:
 Voltage rating: 300 V
 Current rating: 8 A
 Dielectric withstanding voltage: 1,600 V for 1 minute
Mechanical:
 Wire range: 28-16 AWG
 Torque: 0.2 N.m max
 Wire strip length: 6-7mm
 Temperature Rating:
 Operating temperature: -40°C to +105°C
Environmental:
 Lead free, RoHS compliant.



Positions: 02 thru 24
 A = .150 [3.81] x No. of Spaces + .181 [4.60]
 B = .150 [3.81] x No. of Spaces

| | | |
|---|--------------|--------|
| UNLESS OTHERWISE SPECIFIED ALL DIMENSIONS ARE INCHES [MM] TOLERANCES: EXCEPT AS NOTED | | |
| INCHES | | HOLES |
| .X ± .10 | Ø.X ± .10 | |
| .XX ± .020 | Ø.XX ± .015 | |
| .XXX ± .015 | Ø.XXX ± .010 | |
| APPROVALS | | DATE |
| DRAWN | HR | 5/2/14 |
| CHECKED | SY | 5/2/14 |
| APPROVED | | |

ADAM TECH INTERCONNECTS
 909 Rahway Avenue,
 Union, NJ 07083
 Phone: 908-687-5000
 Fax: 908-687-5710

| | | |
|--|------------------------------|------------------|
| TITLE PLUGGABLE BLOCK, PITCH .150 [3.81] | | |
| SIZE X | PART NO. EBKA-XX-B | REV. D |
| REF: S00067C | SCALE: NTS | SHEET 1 OF 1 |