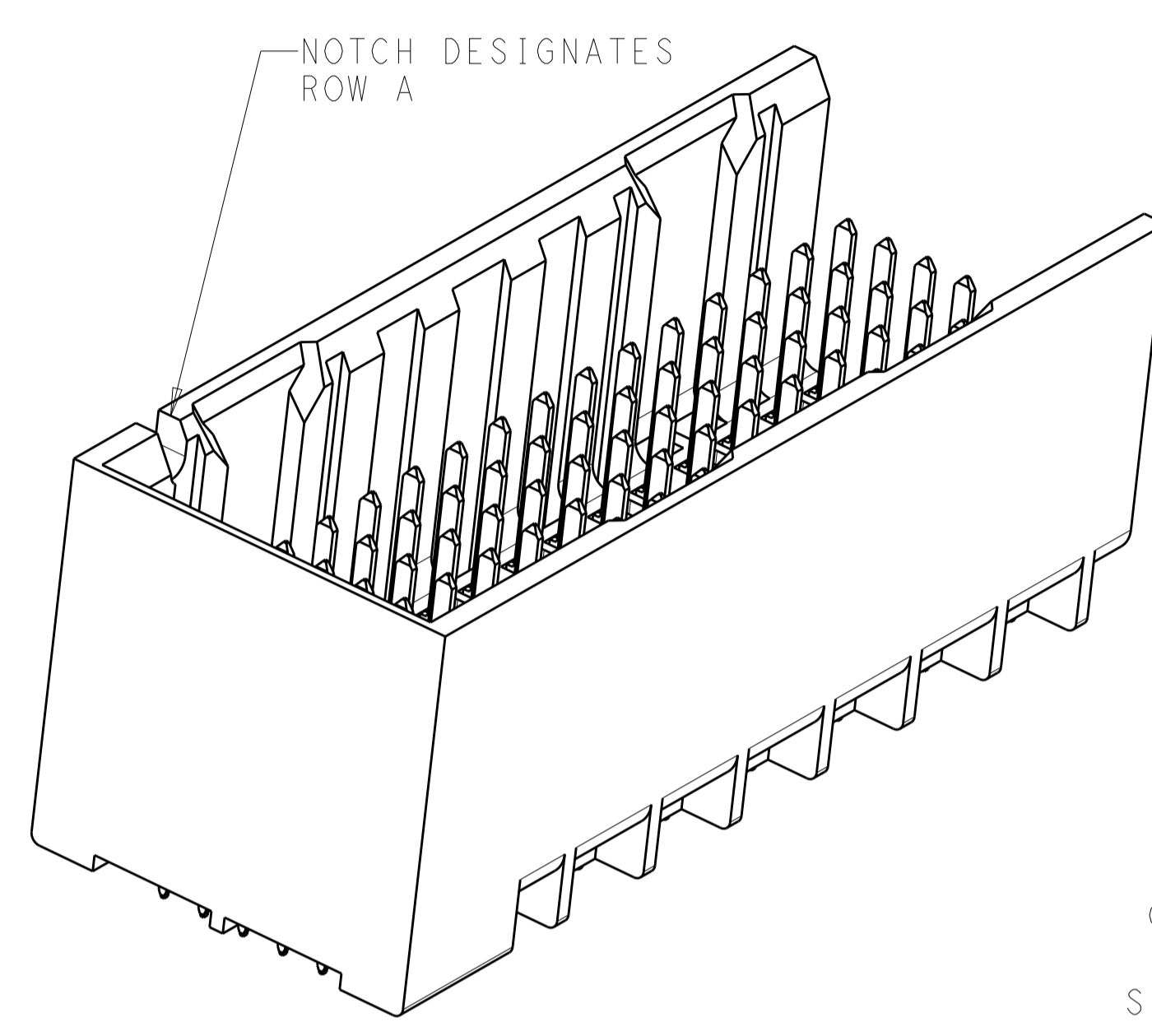
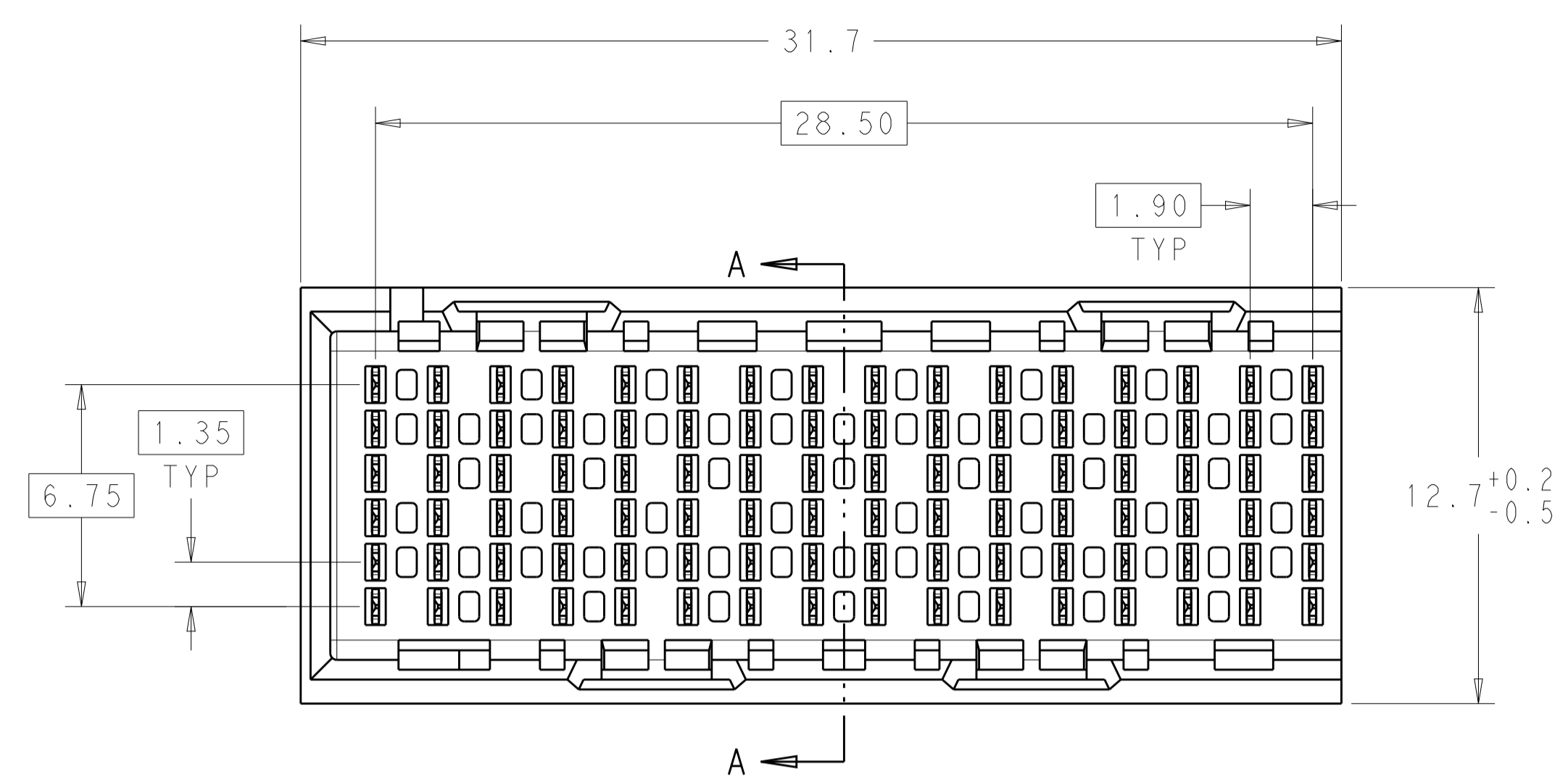
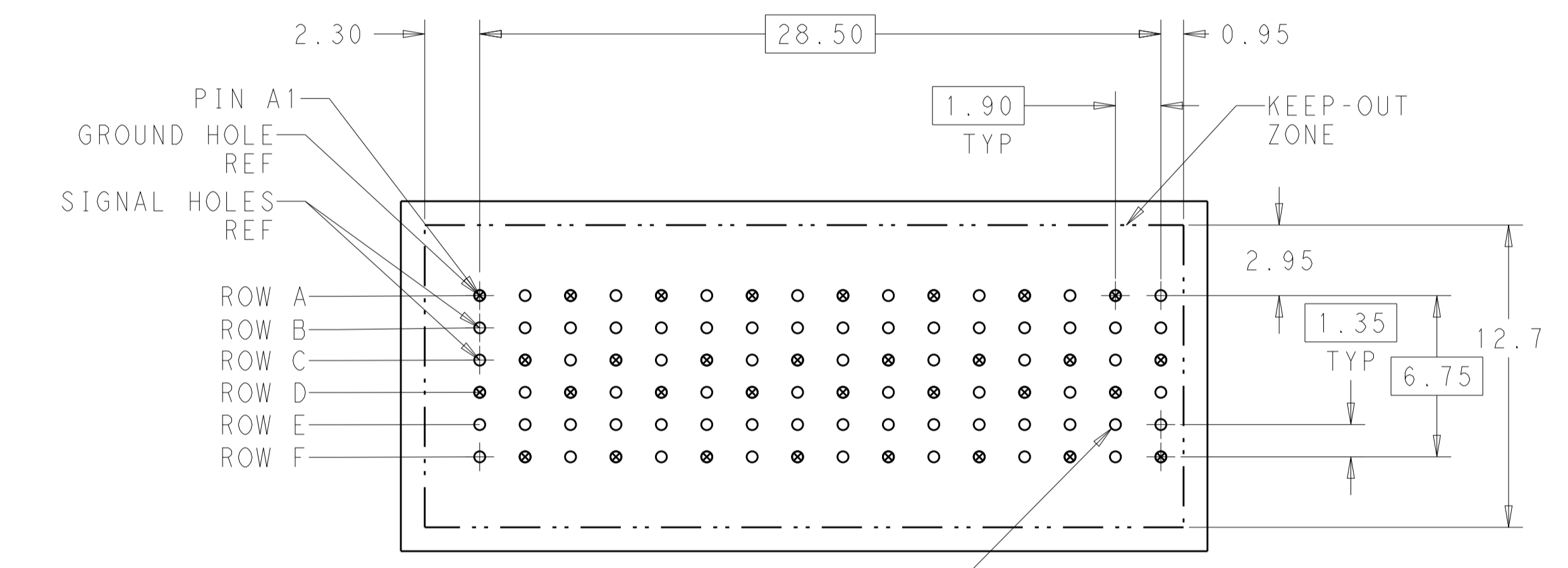


LOC	DIST	REVISIONS			
P	LTN	DESCRIPTION	DATE	DWN	APVD
B1		REVISED PER ECO-15-001498	02FEB2015	AP	DD



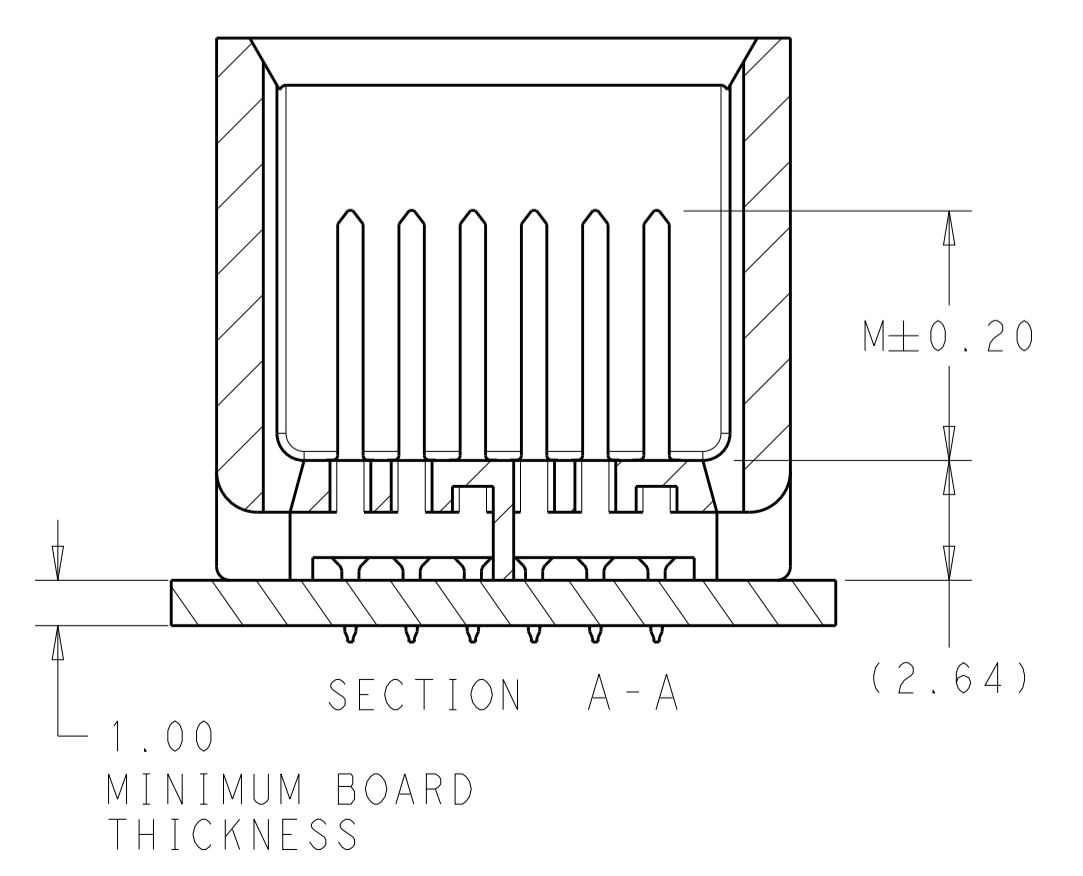
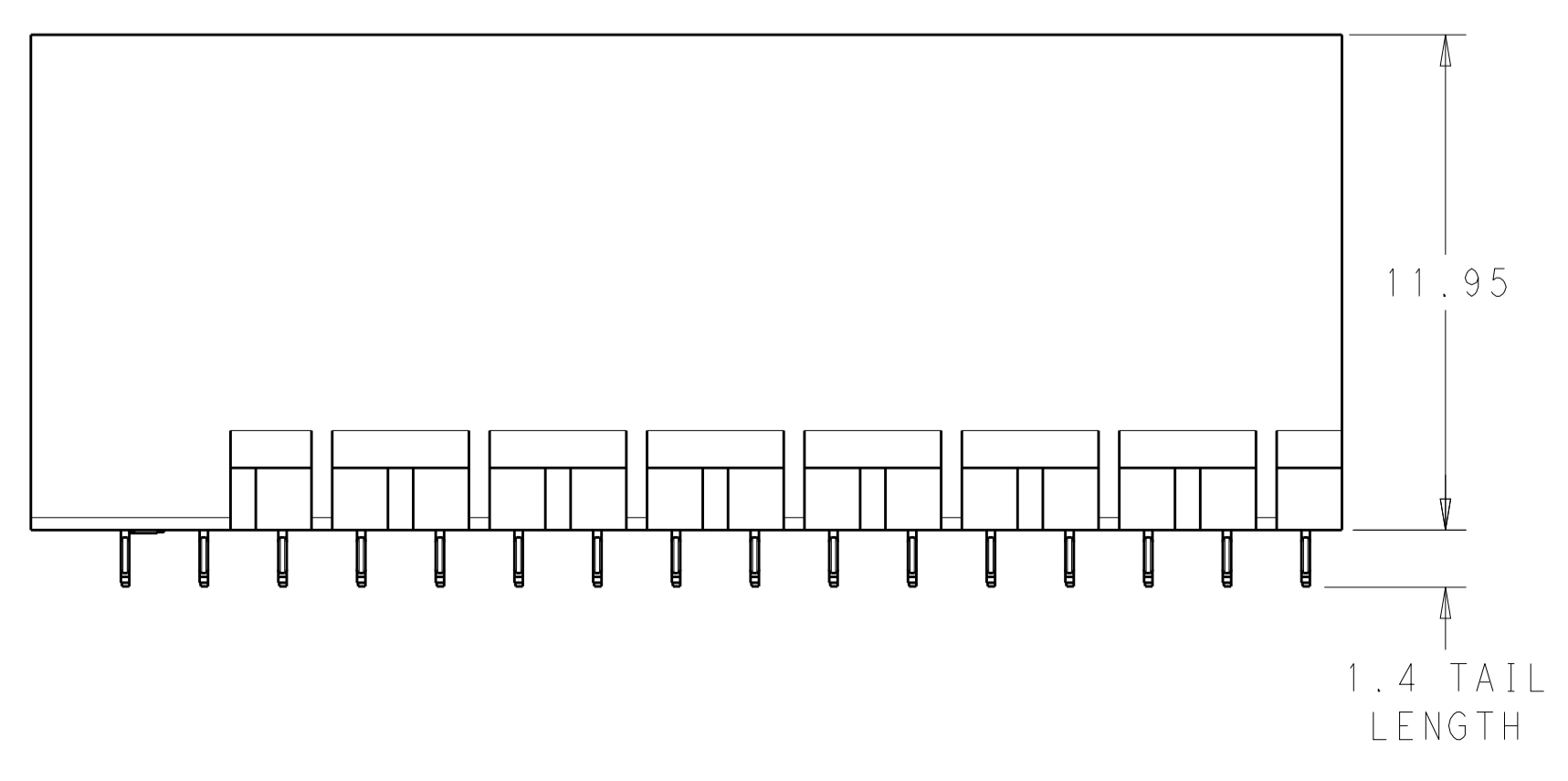
⚠ MATERIAL:
HOUSING: LCP, GLASS FILLED, UL94V-0.
TERMINALS: HIGH PERFORMANCE COPPER ALLOY.

⚠ FINISH:
30μ" MIN GOLD IN CONTACT AREA. SELECTIVE TIN ON PCB TAILS, NICKEL OVERALL.



96X $\varnothing 0.46 \pm 0.05$ PLATED THRU HOLE
 96X $\varnothing 0.55 \pm 0.013$ DRILL HOLE
 $\varnothing 0.10$

UNGUIDED BACKPLANE HOLE PATTERN (CONNECTOR SIDE)



THIS DRAWING IS A CONTROLLED DOCUMENT.		DWN: R. COELLO 27APR2011	TE Connectivity
DIMENSIONS: mm		CHK: J. EARY 27APR2011	
TOLERANCES UNLESS OTHERWISE SPECIFIED:		APVD: J. EARY 27APR2011	NAME: IMPACT, 2 PAIR, 16 COLUMN, HEADER
0 PLC	±	PRODUCT SPEC	UNGUIDED, LEFT END WALL
1 PLC	±0.25	APPLICATION SPEC	SIGNAL MODULE, 0.46 PTH
2 PLC	±0.13	SIZE	A100779C=2057745
3 PLC	±	WEIGHT	Customer Drawing
4 PLC	±	SCALE	6:1
ANGLES	±	SHEET	1 OF 2
FINISH	SEE TABLE	REV	B1

THIS DRAWING IS UNPUBLISHED. RELEASED FOR PUBLICATION 20
 © COPYRIGHT 20 BY - ALL RIGHTS RESERVED.

LOC	DIST	REVISIONS					
		P	LTN	DESCRIPTION	DATE	DWN	APVD
AD	00	-	-	SEE SHEET 1	-	-	-

	5.5	2057745-3
	4.9	2057745-2
	4.5	2057745-1
FINISH	DIM M	PART NUMBER

REFER TO WWW.TE.COM
FOR PRODUCT AVAILABILITY

THIS DRAWING IS A CONTROLLED DOCUMENT.		DWN	27APR2011		TE Connectivity
DIMENSIONS:		CHK	27APR2011		
mm	TOLERANCES UNLESS OTHERWISE SPECIFIED:	APVD	J. EARY 27APR2011	NAME	
0 PLC ±	0 PLC ±0.25	PRODUCT SPEC		IMPACT, 2 PAIR, 16 COLUMN, HEADER	
1 PLC ±	1 PLC ±0.13	APPLICATION SPEC		UNGUIDED, LEFT END WALL	
2 PLC ±	2 PLC ±	WEIGHT		SIGNAL MODULE, 0.46 PTH	
3 PLC ±	3 PLC ±	MATERIAL		SIZE CAGE CODE DRAWING NO RESTRICTED TO	
4 PLC ±	4 PLC ±	FINISH		A100779C=2057745	
ANGLES	SEE TABLE	Customer Drawing		SCALE	5:1 SHEET 2 OF 2 REV B1