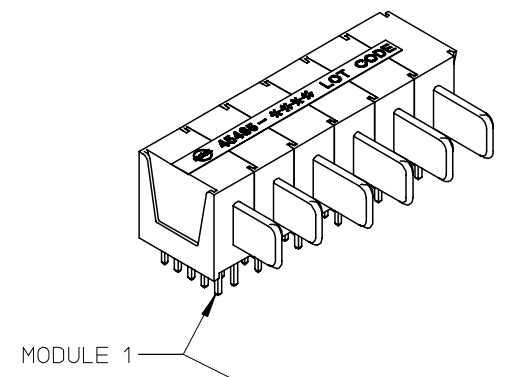
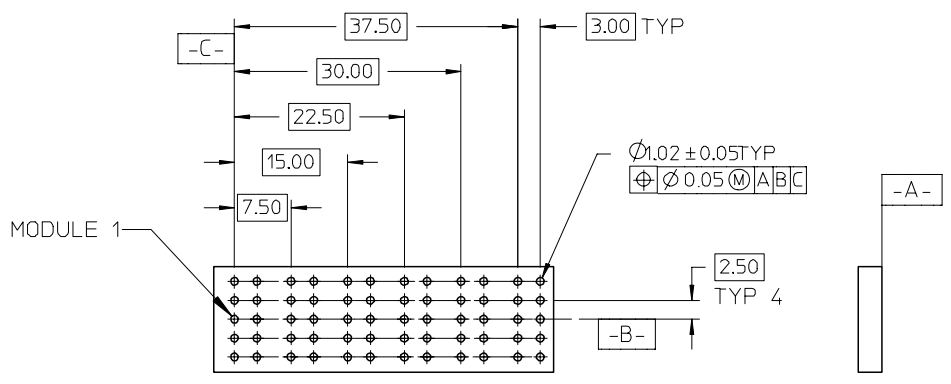
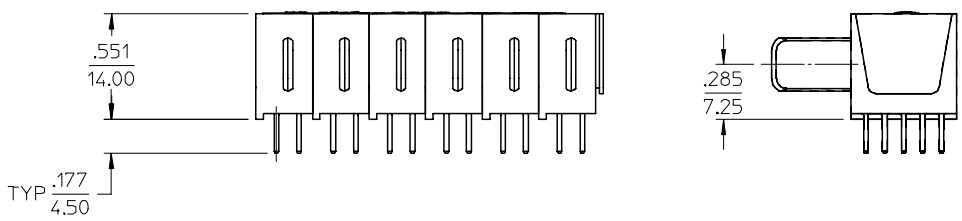
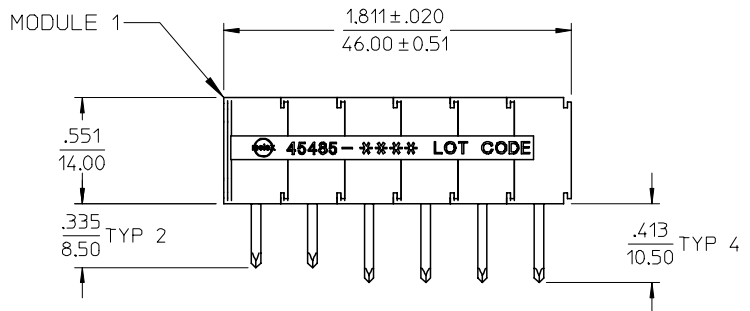


- NOTES:
1. MATERIAL: LCP, GLASS FILLED, UL94V-0, BLACK.
CONTACTS: COPPER ALLOY
 2. FINISH: SELECT GOLD: 30 MI MIN.
SELECT TIN: 100 MI MIN.
BOTH OVER NICKEL
 3. PRODUCT SPECIFICATION: PS-45424-001.
 4. PACKAGING SPECIFICATION: PK-45485-001.



| | | | | | |
|--------|--------|--------|--------|--------|--------|
| PD 107 | PD 107 | PD 105 | PD 105 | PD 105 | PD 105 |
|--------|--------|--------|--------|--------|--------|

PCB LAYOUT: COMPONENT SIDE
PCB THICKNESS: .125/3.18
PCB TOLERANCE: ±.002/0.05

| | |
|-------------------------|-------------|
| EC NO: UCP2005-2491 | DESCRIPTION |
| DRWN: ADRATND2005/07/07 | |
| CHKD: SAMEC 2005/07/08 | |
| APPR: APATEL 2005/07/19 | |
| A1 | REV |

| | |
|---------------------------------------|--------|
| GENERAL TOLERANCES (UNLESS SPECIFIED) | |
| mm | INCH |
| 4 PLACES ± --- | ± --- |
| 3 PLACES ± --- | ± .010 |
| 2 PLACES ± 0.25 | ± .015 |
| 1 PLACE ± 0.38 | ± --- |
| ANGULAR ± 1/2° | |
| DRAFT WHERE APPLICABLE | |
| MUST REMAIN WITHIN DIMENSIONS | |

| | |
|-----------------------|---------------------|
| SCALE 1:1 | DESIGN UNITS METRIC |
| DIMENSION STYLE IN/MM | |
| DRAWN BY JSCHAFFER | DATE 2004/07/30 |
| CHECKED BY KSAMIEC | DATE 2004/07/30 |
| APPROVED BY MARGULIS | DATE 2004/08/02 |

| | | |
|---|---------------------------|------------------|
| THIRD ANGLE PROJECTION | REVISE ON CAD ONLY | |
| TITLE POWER DOCK ASSEMBLY POWER RIGHT ANGLE SOLDER TAIL | | |
| MOLEX INCORPORATED | | |
| MATERIAL NO. 454850167 | DOCUMENT NO. SD-45485-167 | SHEET NO. 1 OF 1 |
| THIS DRAWING CONTAINS INFORMATION THAT IS PROPRIETARY TO MOLEX INCORPORATED AND SHOULD NOT BE USED WITHOUT WRITTEN PERMISSION | | |