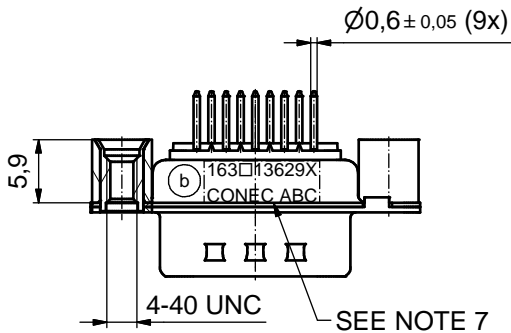
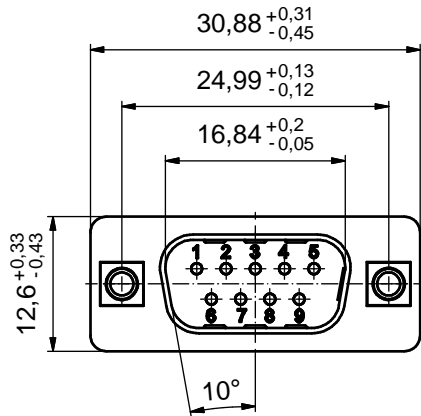
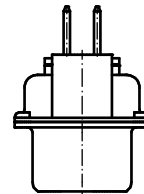
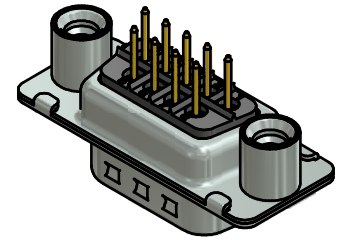
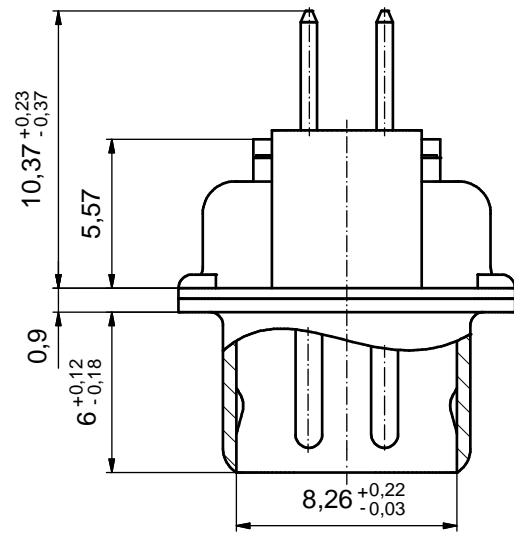


P.C.B. HOLE DRILLINGS
(P.C.B. TOP SIDE)



(5:1)



NOTES:

- METALSHELLS: STEEL; min. 315µm TIN over 40-80µm NICKEL
- INSULATORS: PBT GF UL 94 V-0; BLACK
- CONTACTS: COPPER ALLOY; PLATING (SEE PART NO.):
 - PLEASE ADD A for GOLD FLASH over NICKEL (PREFERRED TYPE)
 - PLEASE ADD B for 20µm HARD GOLD over min. 50µm NICKEL
 - PLEASE ADD C for 30µm HARD GOLD over min. 50µm NICKEL
- THREADED REAR SPACERS: COPPER ALLOY; min. 200µm TIN over 80µm NICKEL
- SLEEVES: COPPER ALLOY; min. 200µm TIN over 80µm NICKEL
- MAXIMUM TORQUE VALUE FOR THREAD: 6 in.LB
- CONNECTOR IS PART MARKED: 163□13629X CONEC ABC (see note 3)

(b)

THIS DRAWING MAY NOT BE COPIED OR REPRODUCED IN ANY WAY, AND MAY NOT BE PASSED ON TO A THIRD PARTY WITHOUT WRITTEN PERMISSION. OWNERSHIP AND COPYRIGHT OF CONEC GmbH DO NOT ALTER CAD DRAWING BY HAND					tolerance		scale: 2:1 (5:1)
					date	name	material: SEE NOTES
					drawn	20.11.2002	Parei
					appd.	20.11.2002	Kühle
					norm		
					d-old	16K1A906	
					3 x b	A5058	31.01.2014
				a	Original		
				rev.	description	date	name
				CONEC			title: D-SUB MALE 9pos. SOLDER PIN STRAIGHT with threaded rear spacer
							dwg no: 16K1A801
							DIN-A3
							sh: 1
							part no: (b) 163□13629X (see note 3)

Directive 2002/95/EC RoHS compliant