



specifications

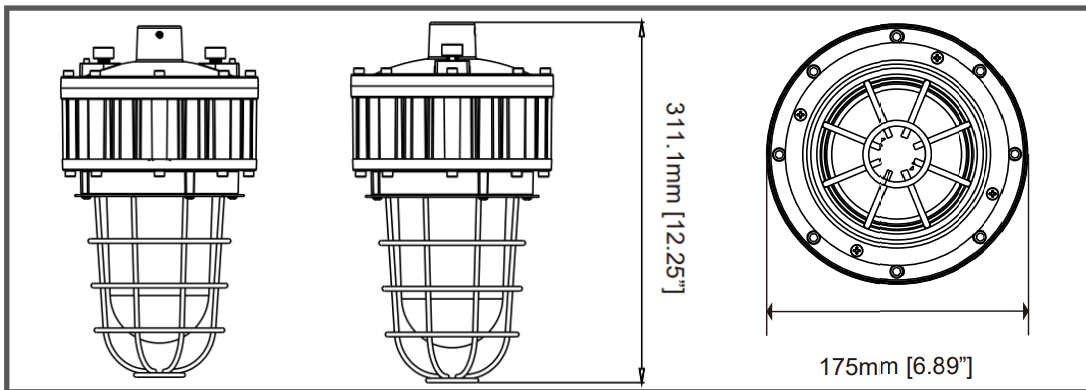
CRI	Voltage	Ambient Temp (F)	Color Temp	Material	IP Rating	Gross Weight	Beam Angle	Dimensions	Warranty	Case QTY
80	347 - 480 V	-40° - 149°	5000K	copper free aluminum housing	IP 66	11.90 lbs	120°	6.8" x 6.8" x 16.1"	6 years	1 pcs

select your fixture

Part Number	Color Temp	Consumption	Lumen Output	Efficacy
GI-EPG-C150-G4	5000K	30W	4,200	140 LM / W

add your accessories*

Accessories Part Number	Description
1.) GI-ACC-EPsMA	Surface Mounting Arm
2.) GI-ACC-EPJB	Junction Box
3.) GI-ACC-EPsSP	Straight Swing Pipe



Features

- Rated for high temperatures, humidity, dust and vapor locations
- Built for a variety of purposes such as spot light, tunnel light, and general illumination in hazardous locations
- Light weight design
- Heavy duty and high impact resistance



Not all product variations listed on this page may be DLC qualified. Visit www.designlights.org/search to confirm qualification.

