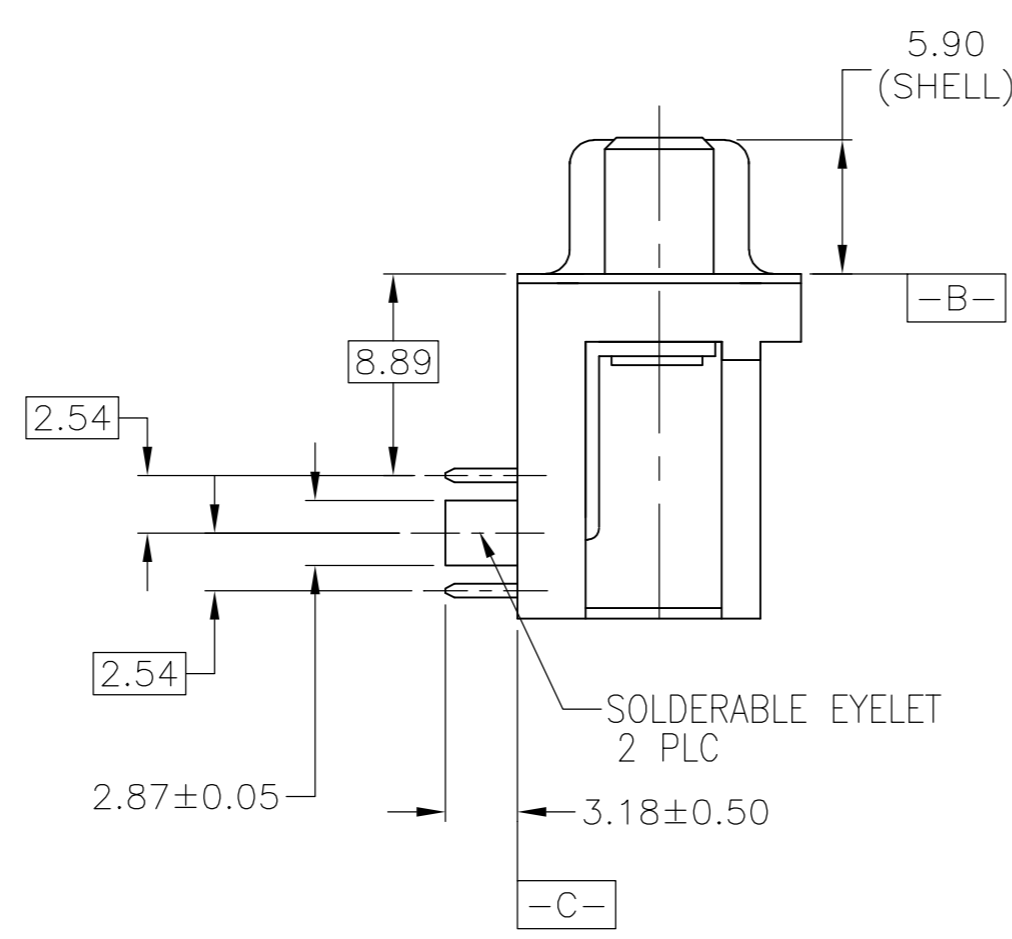
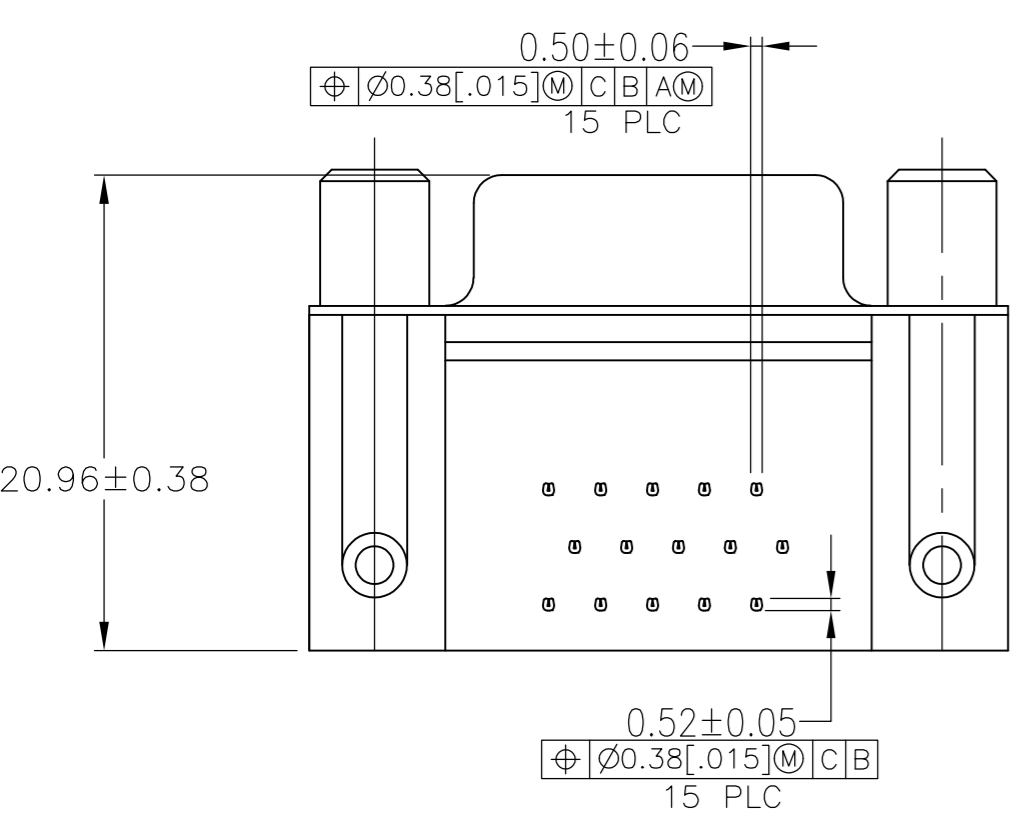
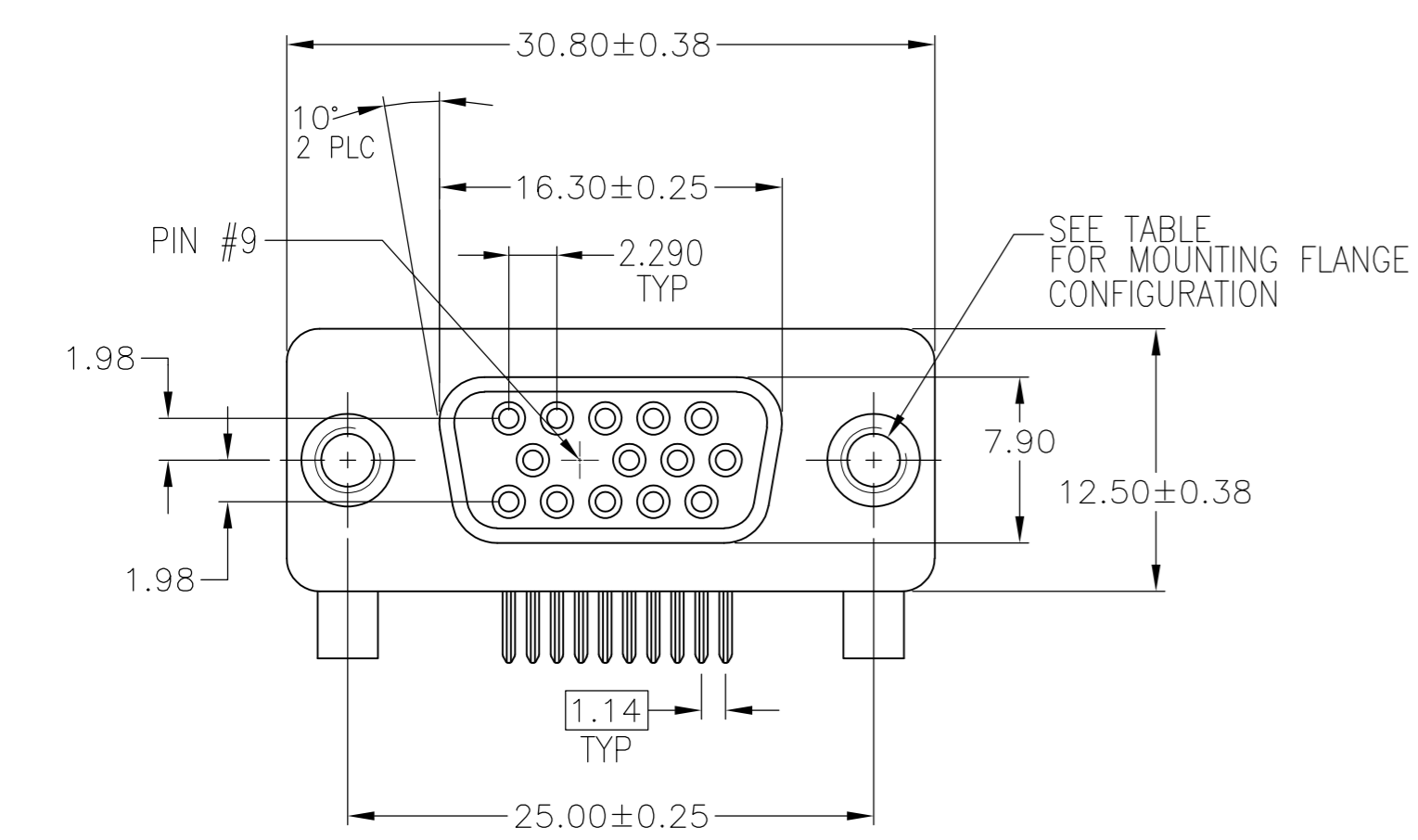
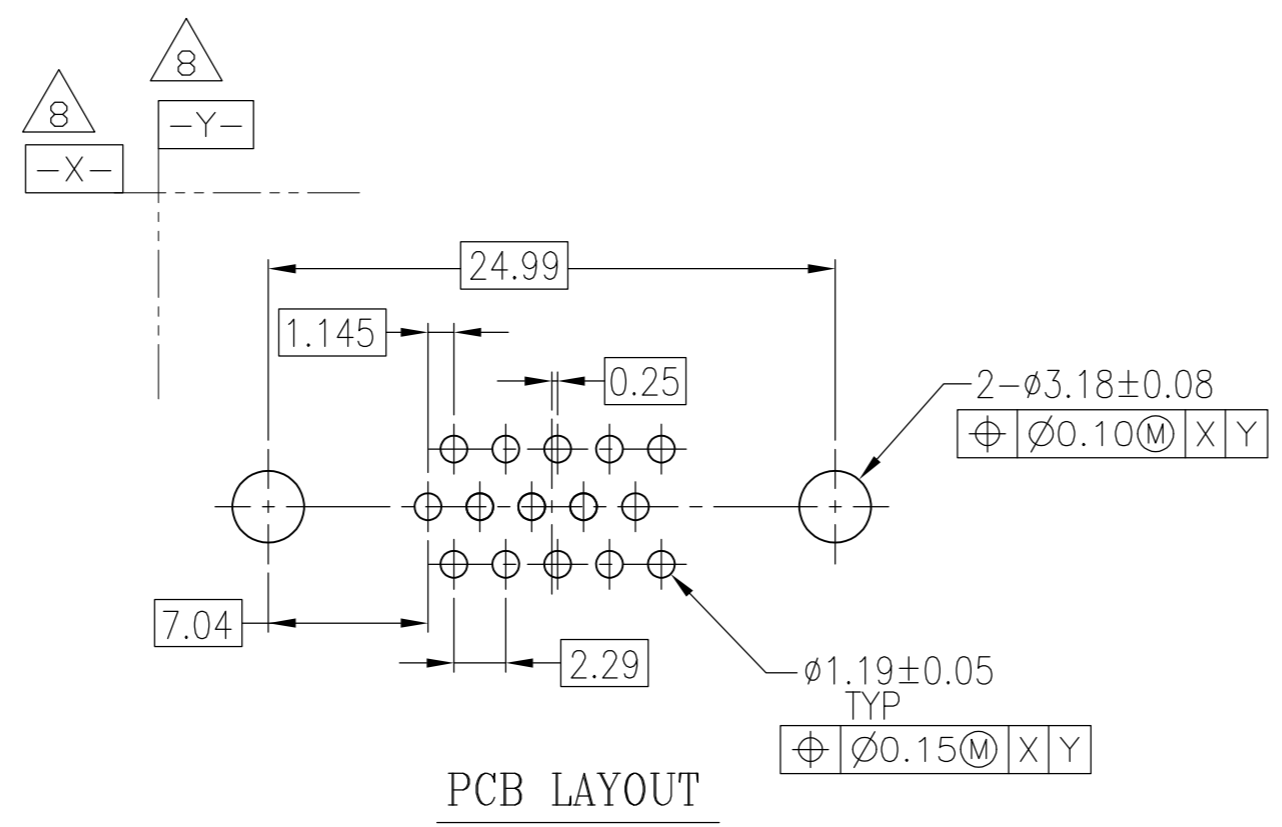
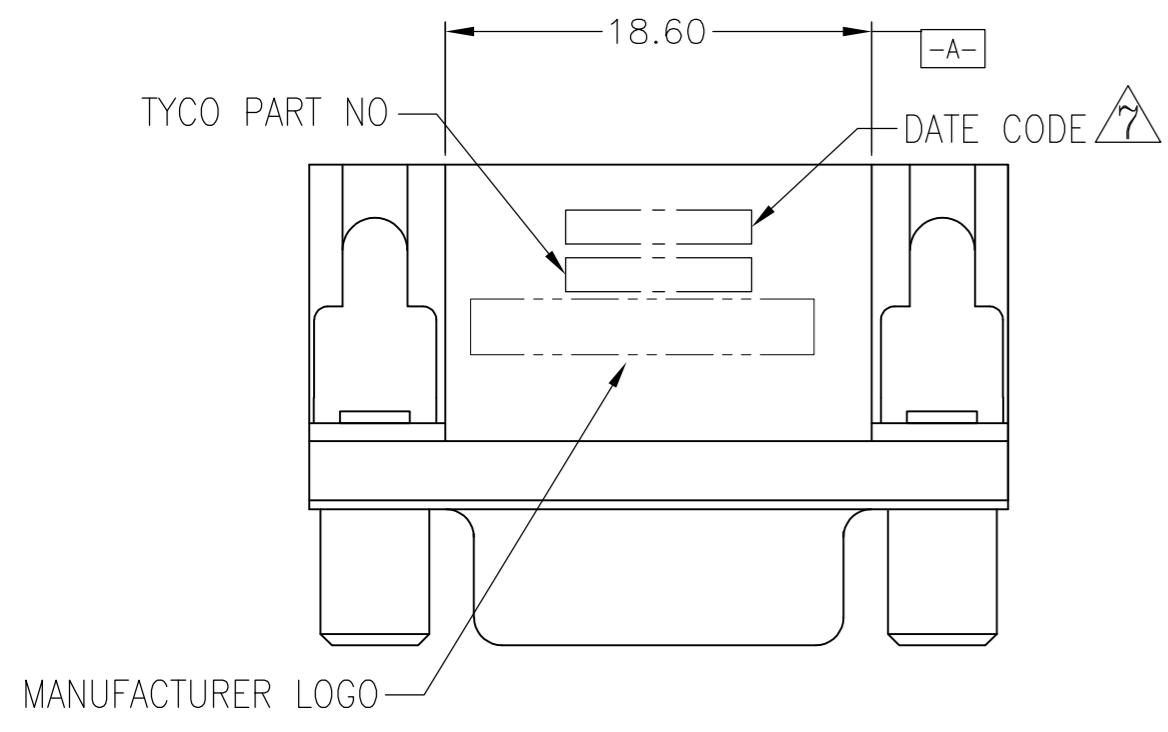


THIS DRAWING IS UNPUBLISHED. RELEASED FOR PUBLICATION  
 © COPYRIGHT BY TYCO ELECTRONICS CORPORATION. ALL RIGHTS RESERVED.

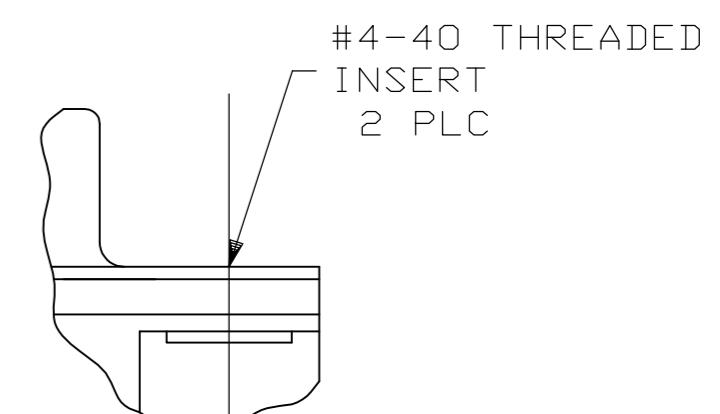
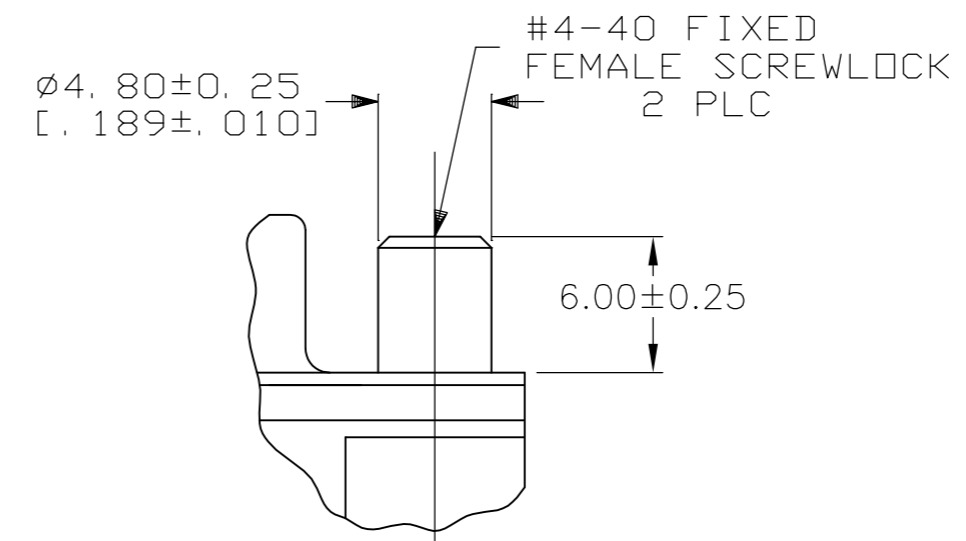
LOC		DIST		REVISIONS			
GP	00	P	LTR	DESCRIPTION	DATE	DWN	APVD
		C		REVISED PER ECO-07-030018	18DEC07	JDP	SLB



- HOUSING MATERIAL: PBT, GLASS FILLED, BLACK, UL 94V-0 RATED.
- CONTACT MATERIAL: PHOSPHOR BRONZE.
- CONTACT FINISH: GOLD PLATE IN MATING AREA (SEE TABLE), 120µ" MIN TIN PLATE ON SOLDER TAIL, BOTH OVER 50µ" MIN NICKEL UNDERPLATE.
- SHELL: STEEL, NICKEL PLATE.
- BOARDLOCK: BRASS, 100µ" MIN TIN PLATE.
- FEMALE SCREWLOCKS/ THREADED INSERTS: BRASS, NICKEL PLATE.

△ FOUR DIGIT DATE CODE IN THIS FORMAT.  
 Year 01 45 Manufacturing Week

△ DATUMS [-X-] & [-Y-] TO BE ESTABLISHED BY CUSTOMER.



Detail A

Detail B

Yes	No	Tray	Detail B	Gold flash	3-5748389-7
Yes	No	Tray	Detail B	15µ" MIN	3-5748389-6
No	Yes	Tray	Detail A	Gold flash	3-5748389-5
No	Yes	Tray	Detail A	15µ" MIN	3-5748389-4
Yes	No	Tray	Detail B	30µ" MIN	5748389-7
Boardlock	Solderable Eyelet	Packaging	Mounting Flange Configuration	Contact Mating Area Finish	Part Number

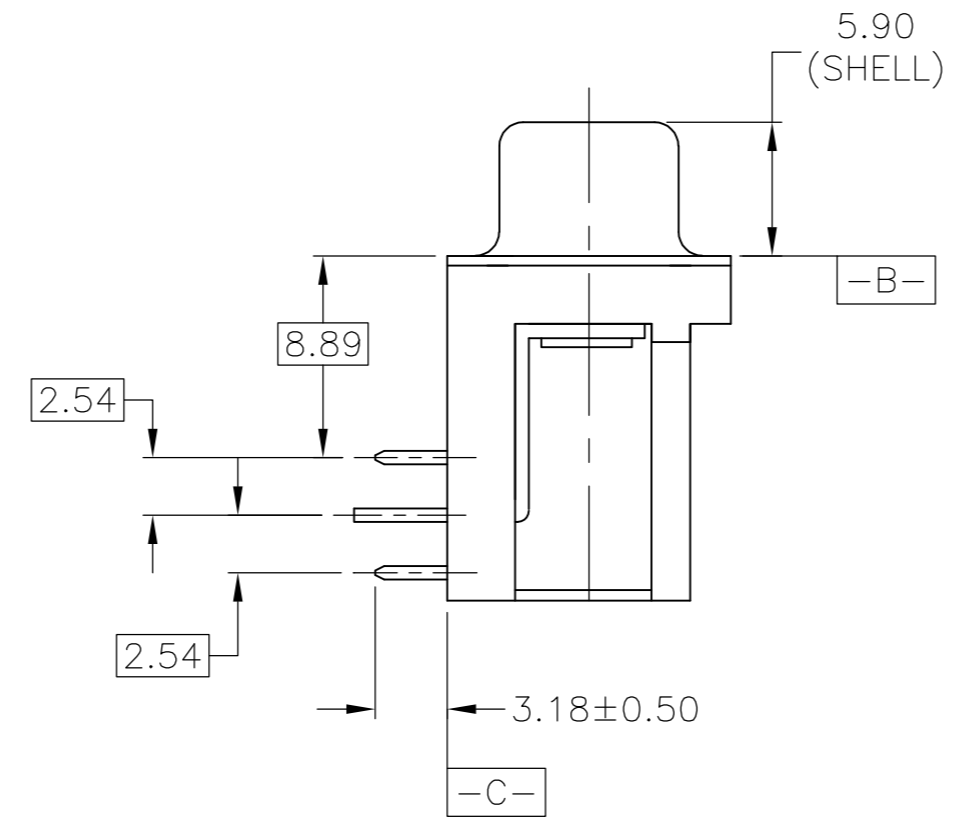
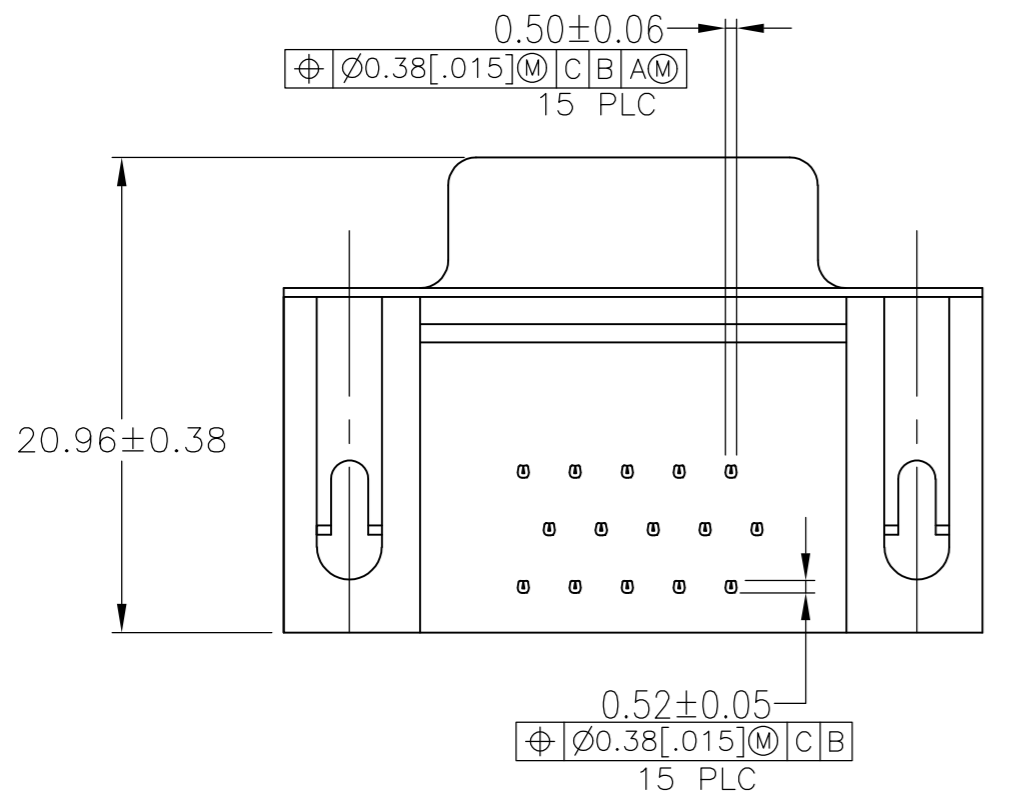
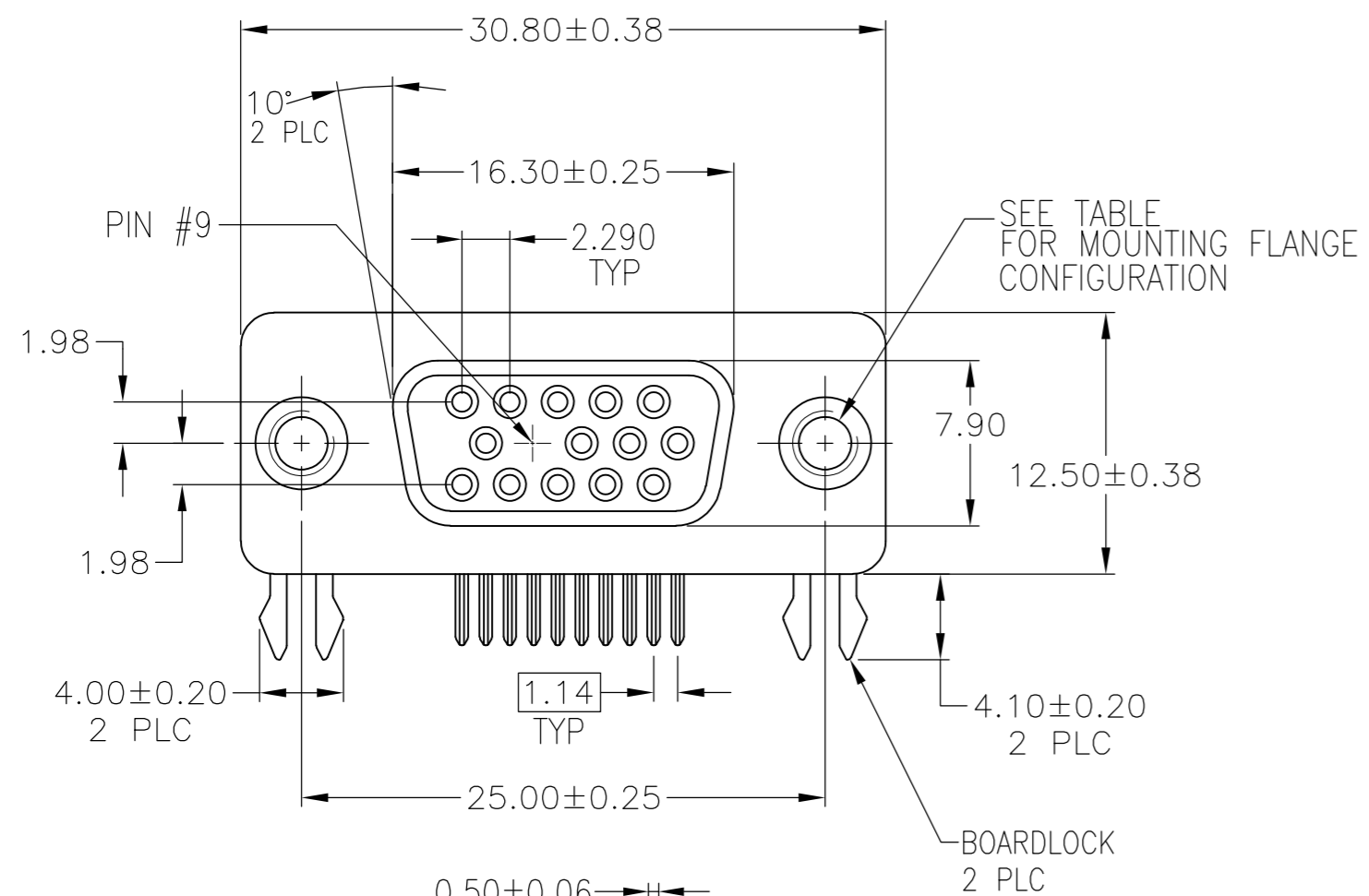
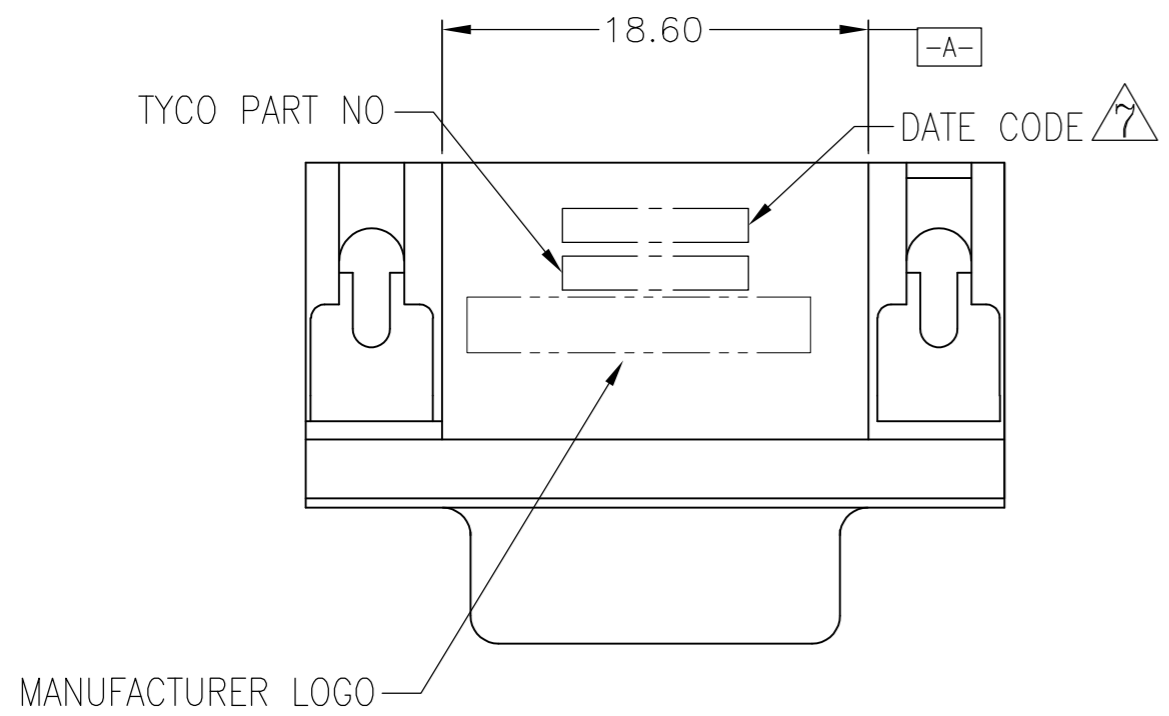
3-5748389-4, & 3--5 SHOWN

THIS DRAWING IS A CONTROLLED DOCUMENT.

DWN	B. MCMASTER	14SEP05	Tyco Electronics Corporation Harrisburg, PA 17105-3608
CHK	S. BOLASH	14SEP05	
APVD	M. WALMSLEY	14SEP05	
PRODUCT SPEC	108-1092		
APPLICATION SPEC	114-13198		NAME AMPLIMITE HD-22, 15 POSITION RECEPTACLE, RIGHT ANGLE CAVITY #9 MOLDED
MATERIAL			SIZE A2
FINISH			CAGE CODE 00779
			DRAWING NO C=5748389
			RESTRICTED TO -
CUSTOMER DRAWING			SCALE 3:1
			SHEET 1 OF 2
			REV C

THIS DRAWING IS UNPUBLISHED. RELEASED FOR PUBLICATION  
 © COPYRIGHT BY TYCO ELECTRONICS CORPORATION. ALL RIGHTS RESERVED.

LOC	DIST	REVISIONS			
P	LTR	DESCRIPTION	DATE	DWN	APVD
GP	00	SEE SHEET 1	-	-	-



5748389-7, 3-5748389-6, & 3--7 SHOWN

THIS DRAWING IS A CONTROLLED DOCUMENT.		DWN B. MCMASTER 14SEP05	Tyco Electronics Corporation Harrisburg, PA 17105-3608	
DIMENSIONS: mm		CHK S. BOLASH 14SEP05	NAME	
TOLERANCES UNLESS OTHERWISE SPECIFIED:		APVD M. WALMSLEY 14SEP05	AMPLITE HD-22, 15 POSITION RECEPTACLE, RIGHT ANGLE CAVITY #9 MOLDED	
0 PLC ± - 1 PLC ± 0.30 2 PLC ± 0.20 3 PLC ± 0.10 4 PLC ± - ANGLES ± 2°		PRODUCT SPEC 108-1092	SIZE A2	RESTRICTED TO
MATERIAL -		APPLICATION SPEC 114-13198	CAGE CODE 00779	DRAWING NO C=5748389
FINISH -		WEIGHT -	SCALE 3:1	SHEET 2 OF 2
		CUSTOMER DRAWING	REV C	