

MATERIALS AND FINISHES:

734153640 AND 734153642

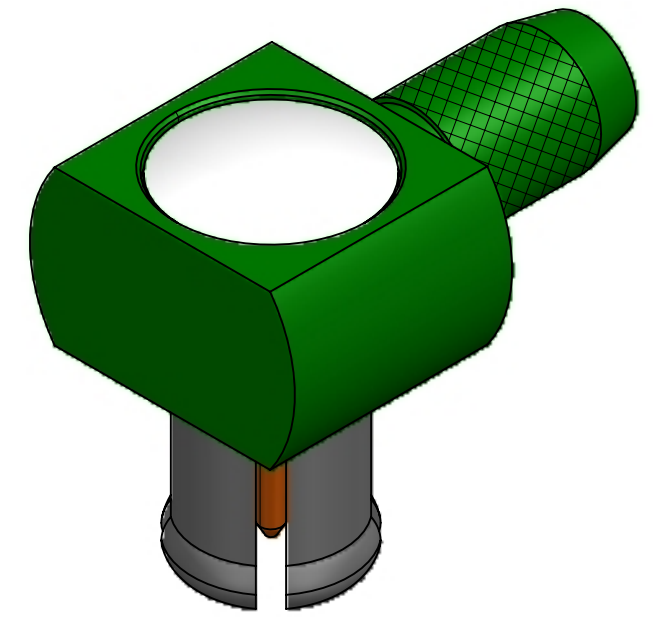
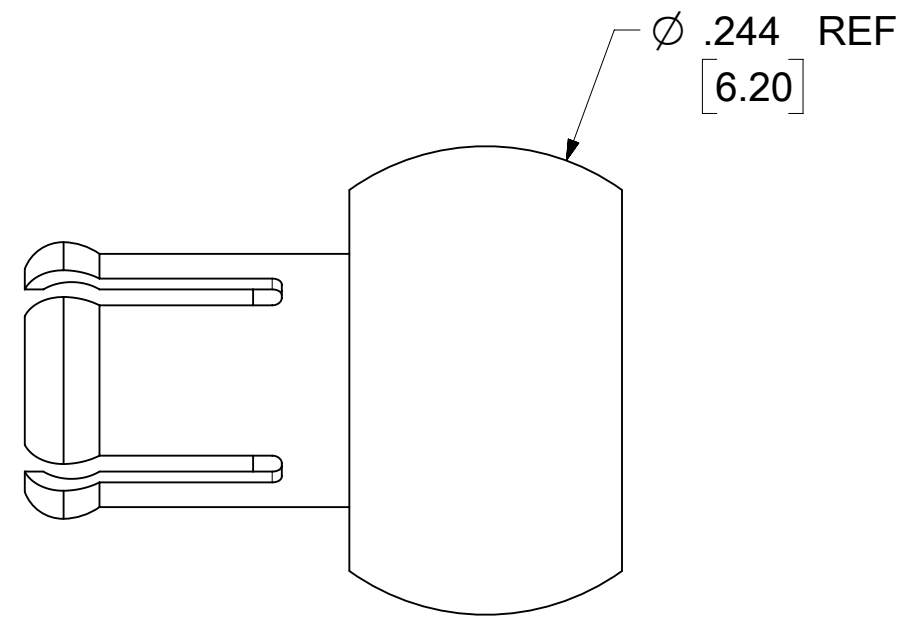
BODY, CAP & CRIMP TUBE: BRASS
 PLATED: GOLD (10µ-in MIN) OVER NICKEL (100µ-in MIN)

CONTACT: BRASS
 PLATED: GOLD (30µ-in MIN) OVER NICKEL (100µ-in MIN)

CRIMP TUBE: COPPER
 PLATED: NICKEL (100µ-in MIN).

OUTER CONTACT: BERYLLIUM COPPER
 PLATED: GOLD (10µ-in MIN)

INSULATOR, SPACER: PTFE



MATERIALS AND FINISHES:

734153641

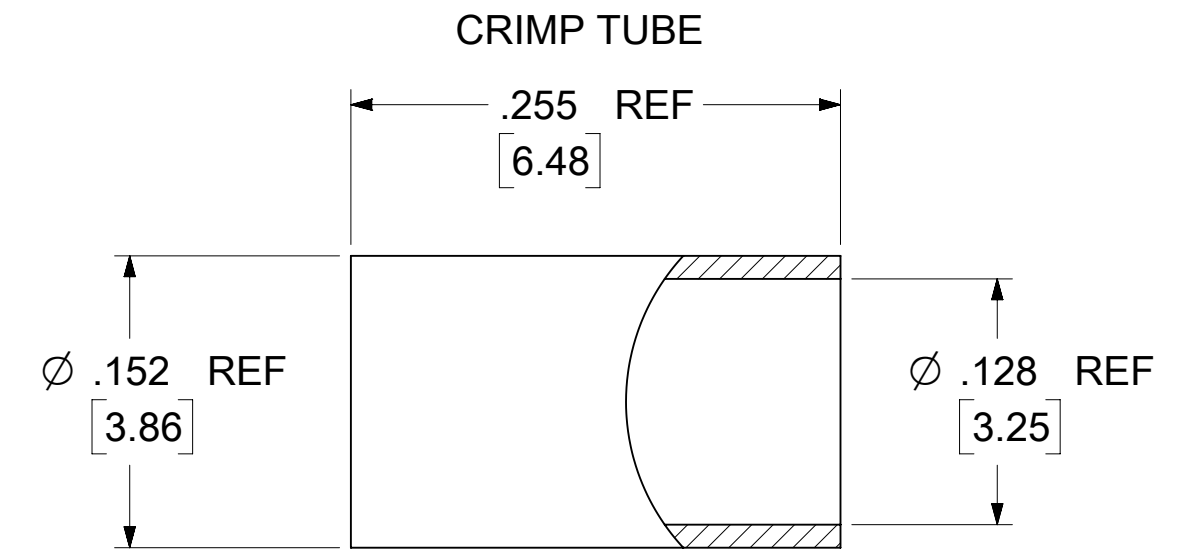
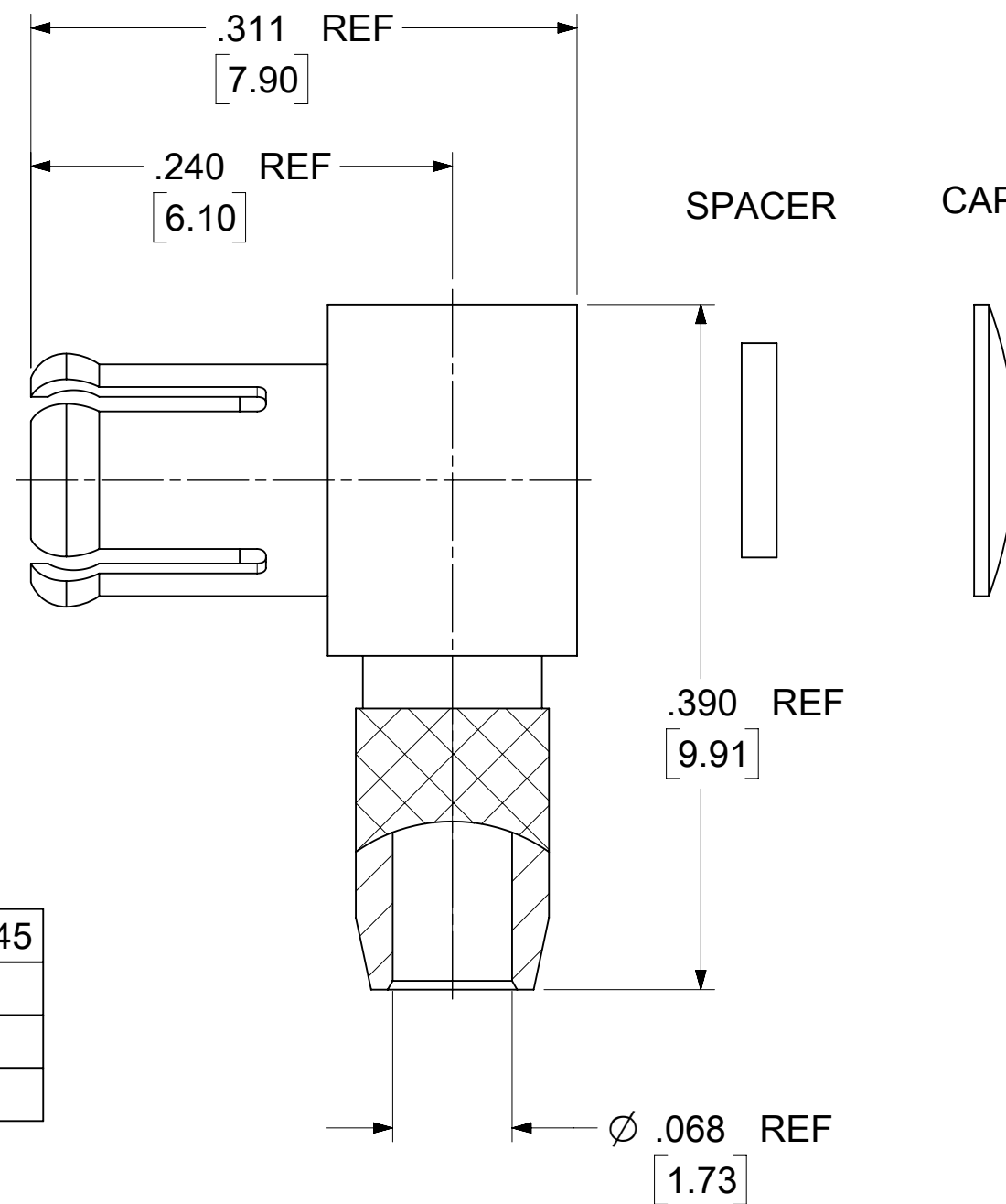
BODY & CRIMP TUBE: BRASS
 PLATED: NICKEL (70µ-in MIN)

CONTACT: BRASS
 PLATED: GOLD (5µ-in MIN) OVER NICKEL (50µ-in MIN)

OUTER CONTACT: BERYLLIUM COPPER
 PLATED: NICKEL (70µ-in MIN)

CAP: BRASS
 PLATED: NICKEL (100µ-in MIN)

INSULATOR, SPACER: PTFE

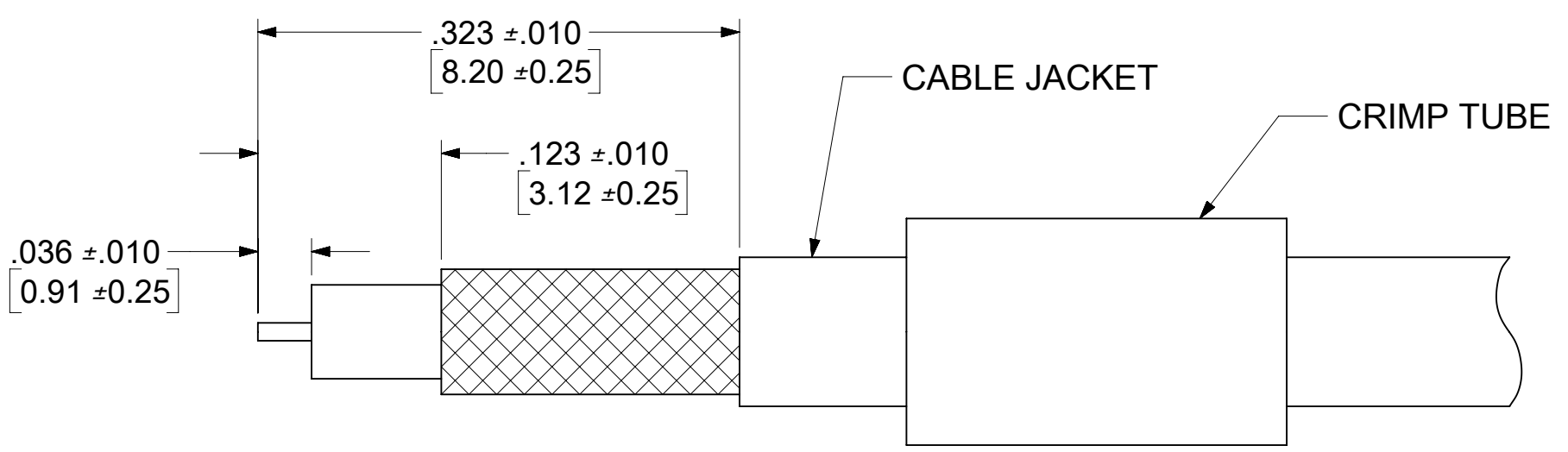


73415-3642	73415-3640 FOR TRAY SMALL QTY, PER P/N 89542-0045
73415-3641	TRAY PER P/N 89542-0040
73415-3640	TRAY PER P/N 89542-0040
PART NO.	PACKAGING

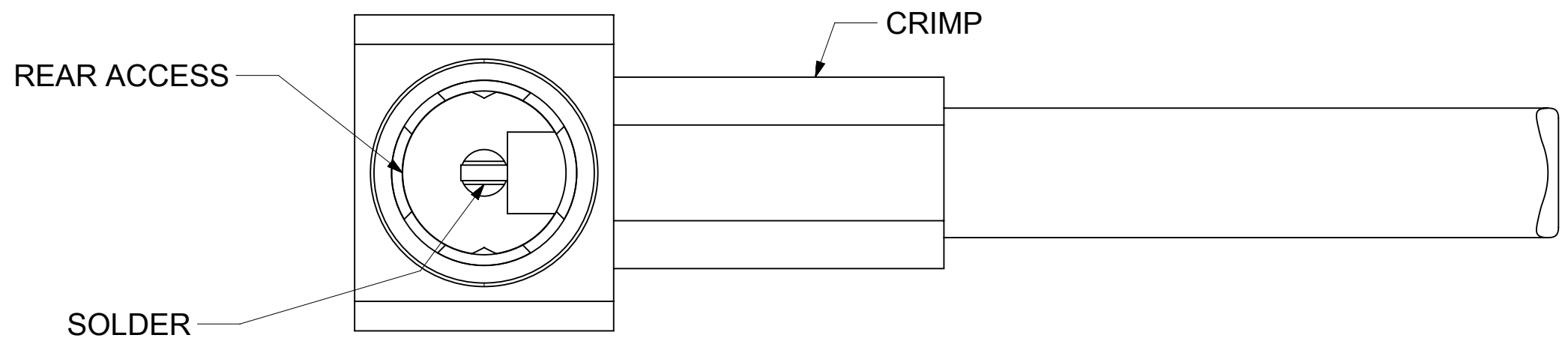
AS-89678-8590	ASSY INSTRUCTIONS
PS-89675-1830	PRODUCT SPEC.
IEC 61169-36	INTERFACE
SPECIFICATION	DESCRIPTION

FUNCTIONAL SYMBOLS $\nabla_A = 0$ $\nabla_C = 0$ $\nabla_P = 0$	THIS DRAWING CONTAINS INFORMATION THAT IS PROPRIETARY TO MOLEX ELECTRONIC TECHNOLOGIES, LLC AND SHOULD NOT BE USED WITHOUT WRITTEN PERMISSION	SCALE		CURRENT REV DESC: ADD PN 73415-3642 PER EWR14242-C EC NO: 654526 DRWN: CWEI02 2021/01/13 CHK'D: YCHENG 2021/02/08 APPR: YCHENG 2021/02/08						
	DIMENSION UNITS	IN/MM	NTS							
	GENERAL TOLERANCES (UNLESS SPECIFIED)				INITIAL REVISION:		DOCUMENT NUMBER	DOC TYPE	DOC PART	REVISION
	ANGULAR TOL $\pm 2.0^\circ$				DRWN: RFC_PLMIMP 2017/12/28		SD-73415-364	PSD	001	A5
DIVISIONAL SYMBOLS			APPR: YCHENG 2014/09/12		MATERIAL NUMBER	CUSTOMER		SHEET NUMBER		
4 PLACES \pm			DRAFT WHERE APPLICABLE MUST REMAIN WITHIN DIMENSIONS		SEE TABLE			1 OF 2		
3 PLACES \pm			THIRD ANGLE PROJECTION							
2 PLACES \pm			DRAWING		C-SIZE					
1 PLACE \pm			SERIES		73415					
0 PLACES \pm										

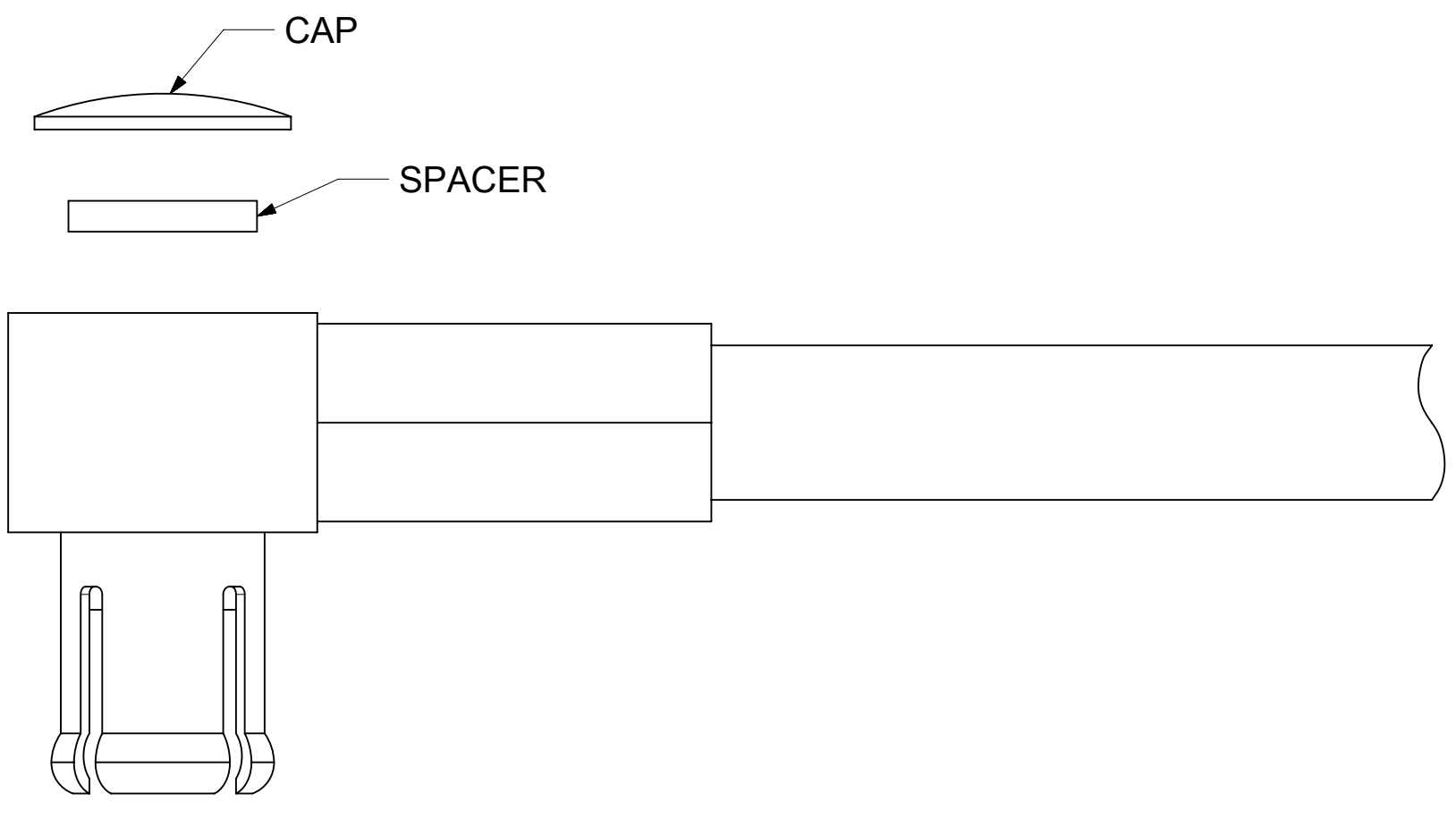
DOCUMENT STATUS	P1	RELEASE DATE	2021/02/08	10:05:44
-----------------	----	--------------	------------	----------



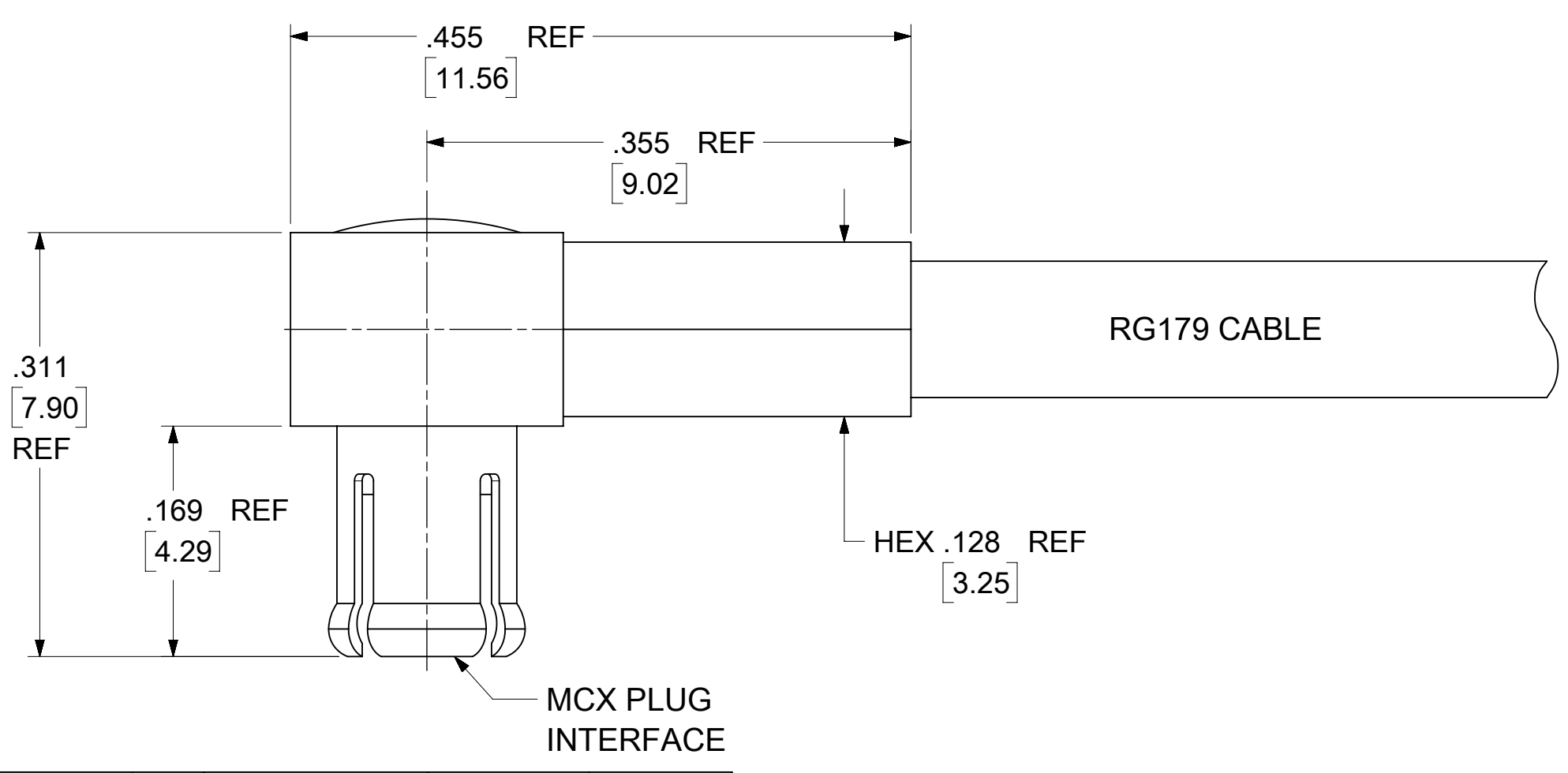
1. STRIP CABLE TO DIMENSIONS SHOWN. DO NOT NICK BRAID OR CENTER CONDUCTOR. SLIDE CRIMP TUBE ONTO CABLE.



2. FLARE CABLE BRAID AND SLIDE CABLE INTO BODY. MAKE SURE CABLE INSULATOR BOTTOMS ON CONNECTOR CONTACT. SOLDER CABLE CONDUCTOR TO CONTACT. ARRANGE BRAID UNIFORMLY AROUND STEM. SLIDE CRIMP TUBE OVER BRAID FLUSH TO BODY AND CRIMP USING .128 [3.25MM] "HEX" DIE.



3. PLACE SPACER AND CAP INTO ACCESS PORT AND SEAL WITH A Ø.156[3.96MM] FLAT PUNCH.



FUNCTIONAL SYMBOLS	THIS DRAWING CONTAINS INFORMATION THAT IS PROPRIETARY TO MOLEX ELECTRONIC TECHNOLOGIES, LLC AND SHOULD NOT BE USED WITHOUT WRITTEN PERMISSION													
	DIMENSION UNITS	SCALE	CURRENT REV DESC: ADD PN 73415-3642 PER EWR14242-C							molex				
	IN/MM	NTS												
	GENERAL TOLERANCES (UNLESS SPECIFIED)													
ANGULAR TOL	±	2.0°	EC NO: 654526							MCX, PLUG R/A FOR RG179 CABLE 75? MCX-PC/RA, EWR # 14077				
4 PLACES	±		DRWN: CWEI02 2021/01/13							PRODUCT CUSTOMER DRAWING				
3 PLACES	±		CHK'D: YCHENG 2021/02/08							DOCUMENT NUMBER				
2 PLACES	±		APPR: YCHENG 2021/02/08							SD-73415-364				
1 PLACE	±		INITIAL REVISION:							DOC TYPE				
0 PLACES	±		DRWN: RFC_PLMIMP 2017/12/28							PSD				
DRAFT WHERE APPLICABLE MUST REMAIN WITHIN DIMENSIONS			THIRD ANGLE PROJECTION		DRAWING		SERIES		MATERIAL NUMBER		CUSTOMER		SHEET NUMBER	
			C-SIZE		73415		SEE TABLE				001		A5	
													2 OF 2	