

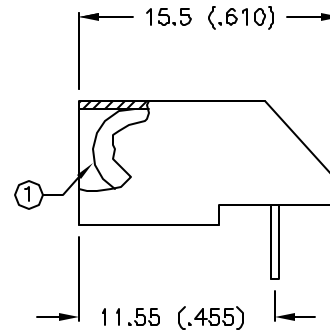
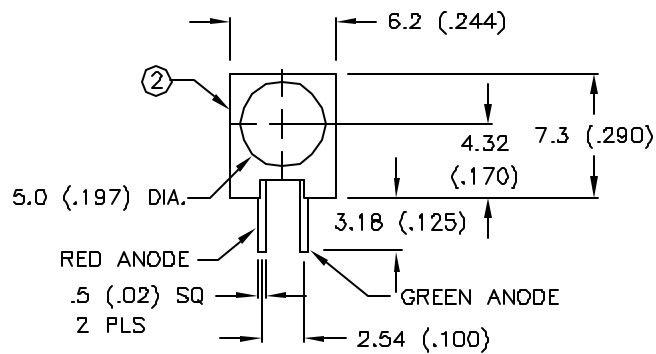
DATE

REVISIONS

REV

DRAWING NUMBER  
SSF-LXH1071HGW

REV

ELECTRO-OPTICAL CHARACTERISTICS TA=25 °C I<sub>f</sub>=20mA

PARAMETER	MIN	TYP	MAX	UNITS	TEST COND
PEAK WAVELENGTH		700 (RED)		nm	
		565 (GREEN)		nm	
FORWARD VOLTAGE (R/G)		2.1	2.8	V <sub>f</sub>	
REVERSE VOLTAGE	5.0			V <sub>r</sub>	I <sub>r</sub> =100uA
AXIAL INTENSITY (R/G)		5/B		mcd	I <sub>f</sub> =20mA
VIEWING ANGLE		80		2x theta	
EMITTED COLOR:		RED/GREEN			
EPOXY LENS FINISH:		MILKY WHITE DIFFUSED			

## LIMITS OF SAFE OPERATION AT 25 DEG. C

PARAMETER	MAX	UNITS
PEAK FORWARD CURRENT (R/G)*	155/155	mA
STEADY CURRENT	30/30	mA
POWER DISSIPATION	110/110	mW
DERATE FROM 25 °C	-1.1	mW/°C
OPERATING, STORAGE TEMP.	-55 TO +100	°C
LEAD SOLDERING TEMP.	+230	°C
1.6mm FROM BODY		5 SEC. MAX

\*t&lt;10uS

## NOTES:

- SSL-LX509F3HGW LED.
- SSH-LXH1071 WHITE HOLDER.
- TOLERANCE: +/-0.25 (+/-0.010).

## RELIABILITY NOTE:

OUR MANY YEARS OF EXPERIENCE DATA ACCUMULATION INDICATE THAT SOLDER HEAT IS A MAJOR CAUSE OF EARLY AND FUTURE FAILURE. PLEASE PAY ATTENTION TO YOUR SOLDERING PROCESS.

FXH107AC

**LUMEX**  
OPTO COMPONENTS INC.

292 E. HELLEN ROAD  
PALATINE, ILLINOIS 60067  
(708) 359-2790

DATE: 9-1-93

APPROVED BY:

DRAWN BY:

SCALE: N/A

T-5 (T-1 3/4) RIGHT ANGLE FAULT INDICATOR,  
BI-COLOR, RED/GREEN, MILKY WHITE DIFFUSED

PAGE 1 OF 1

DRAWING NUMBER

SSF-LXH1071HGW

REV