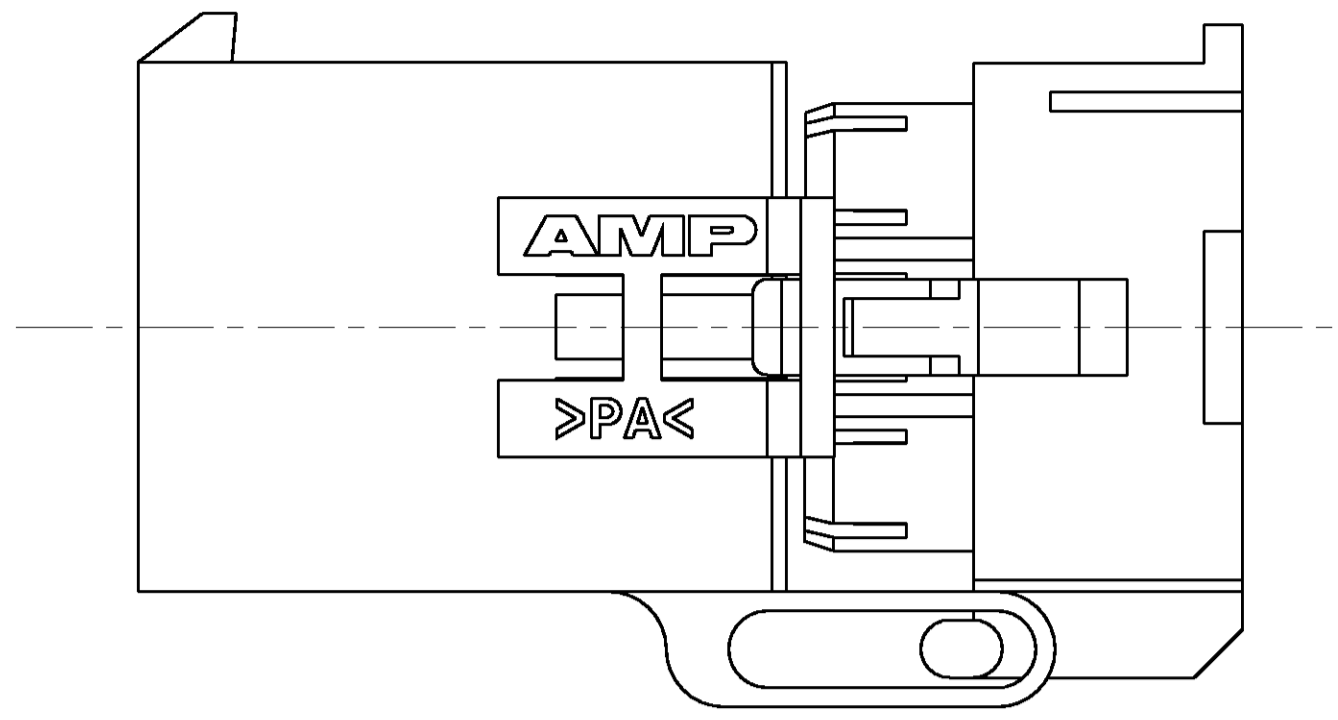
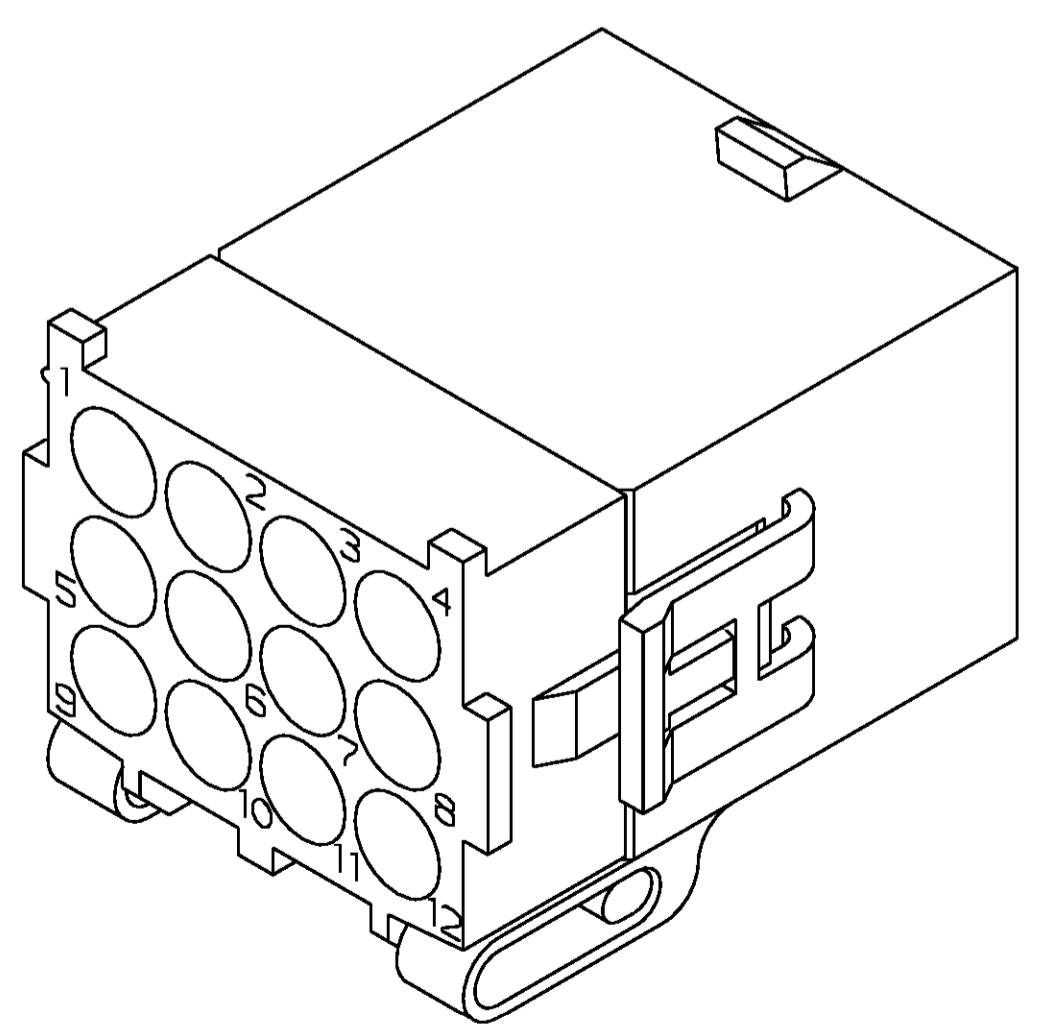
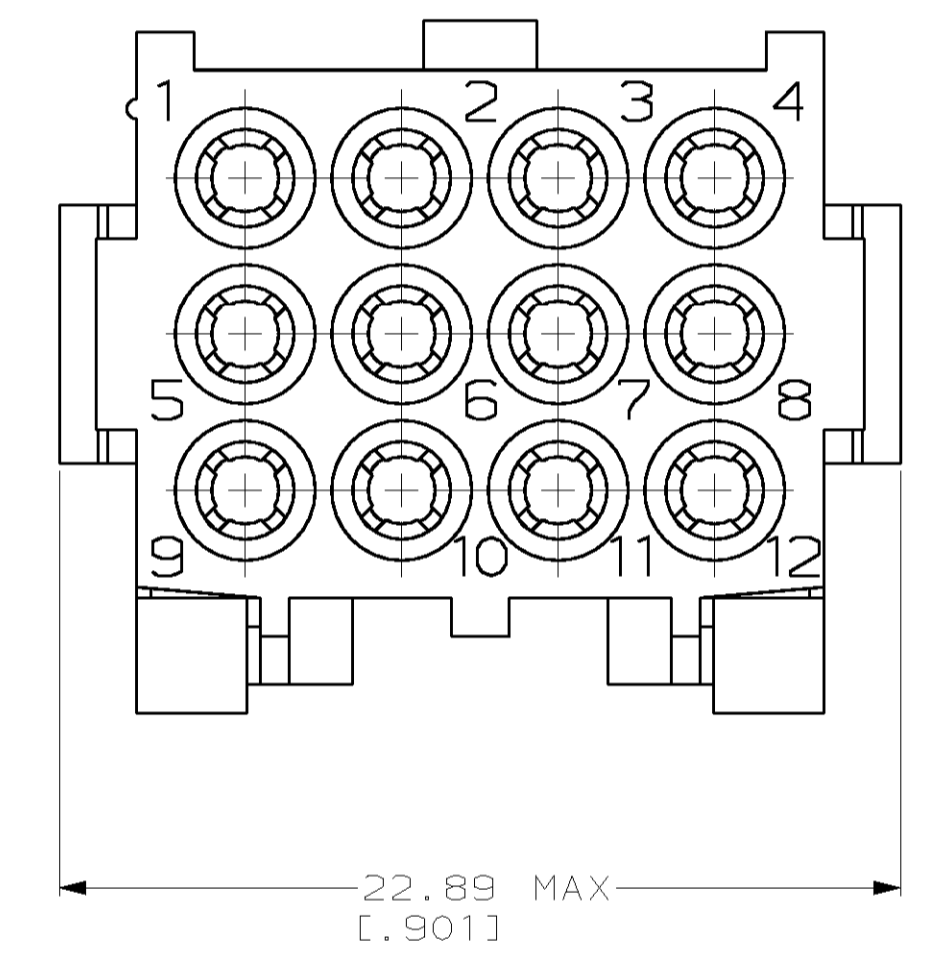
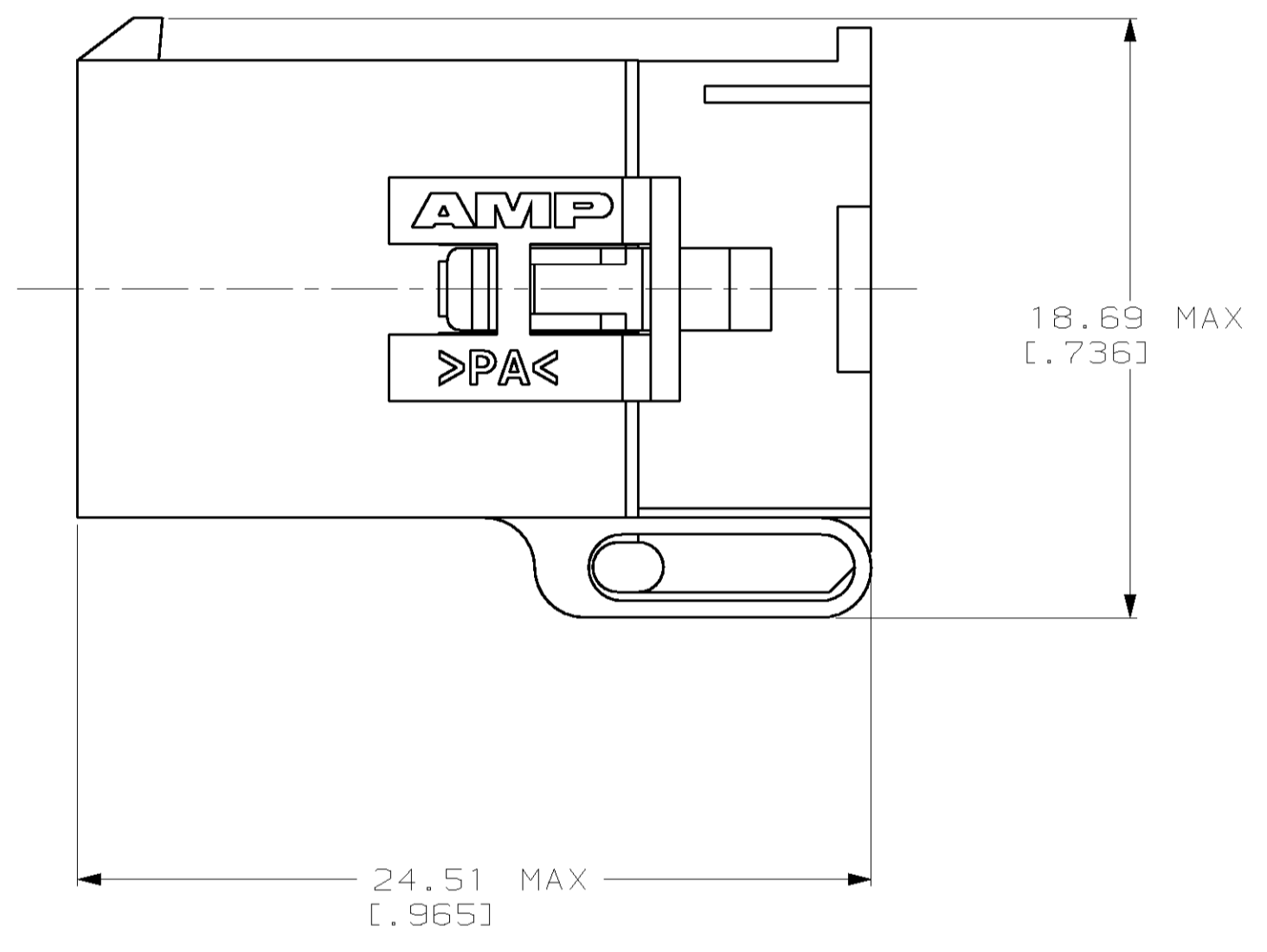
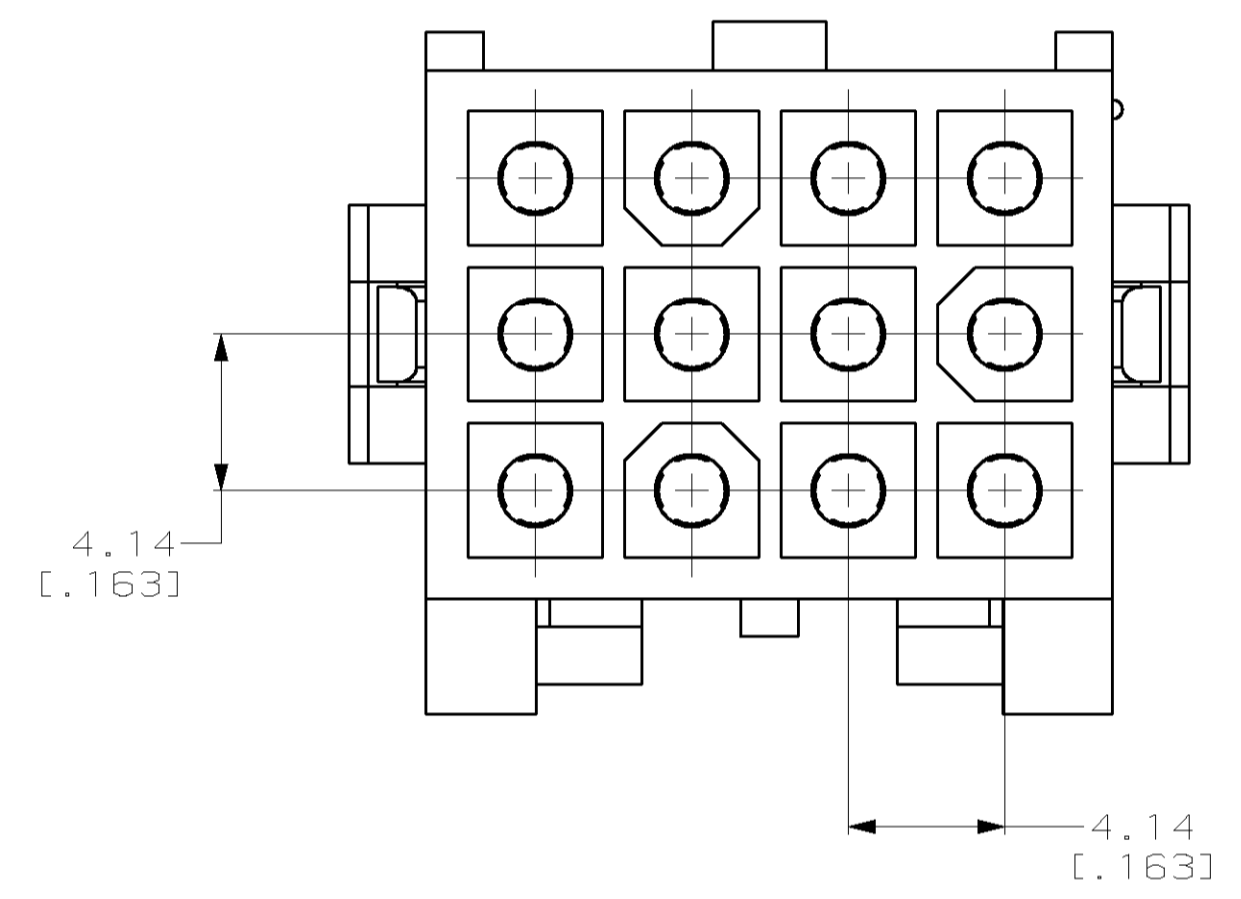


REV. NO.		REVISIONS							
LOC	DIST	REV	PER	EC	DATE	OWN	APVD		
CM	53	B	REV	PER	EC	061B-0094-99	23-SEP-99	KW	KC



PRE-STAGED CONDITION

1. DIMENSIONS IN BRACKETS ARE IN INCHES.



3-DIMENSIONAL MODEL
NTS

794201-1
PART NUMBER



THIS DRAWING IS A CONTROLLED DOCUMENT.		DWN K. WHITAKER	5-15-97	AMP Incorporated Harrisburg, PA 17105-3608
DIMENSIONS:		CHK R. SWING	5-15-97	
TOLERANCES UNLESS OTHERWISE SPECIFIED:		APVD S. ORSTAD	5-15-97	
0 PLC ± 1 PLC ± 2 PLC ±0.13 [0.005] 3 PLC ± 4 PLC ± ANGLES 40°±30°		NAME	CAP, 12 CIRCUIT MATRIX, MINI UNIVERSAL MATE-N-LOK™ 2	
MATERIAL NYLON, UL 94V-0, NATURAL	FINISH -	PRODUCT SPEC	APPLICATION SPEC	SIZE A1
CUSTOMER DRAWING		WEIGHT	-	SCALE 5:1
		RESTRICTED TO	-	SHEET 1 OF 1
		REV	B	