

Thermofit[®] Molded Parts

Specification Control Drawing

Limited Distribution

Part Number : 234A153-3S
 Description : Boot, Rectangular
 D-Subminiature, 90°. Side Entry,
 with Heat Recoverable Screen

NOTES

- All dimensions are in $\frac{\text{inches}}{\text{[millimeters]}}$
- Dimensions appearing in table are as follows:
 a - As Supplied
 b - After Unrestricted Recovery
- Coating is optional. As supplied dimensions appearing in table are for uncoated parts. When coating is added, entry diameters will be reduced by .06 max.

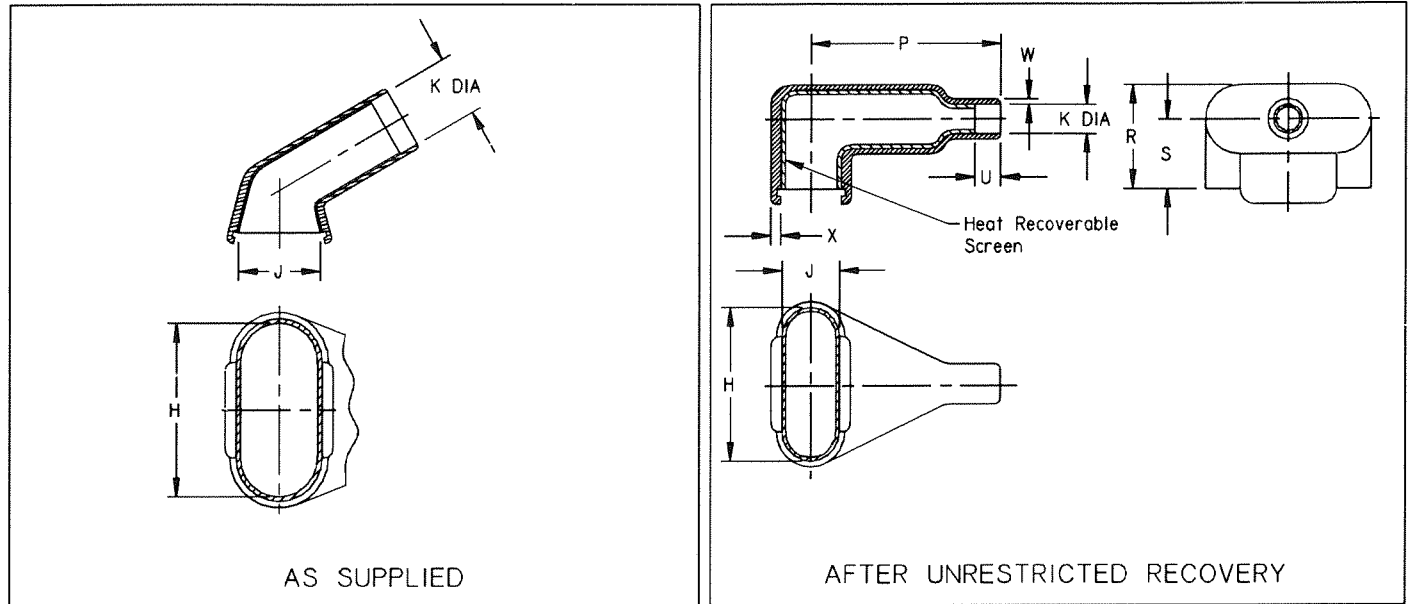


TABLE OF DIMENSIONS												
PART NUMBER	H		J		K		P	R	S	U	W	X
	Min a	Max b	Min a	Max b	Min a	Max b						
234A 153-3S	$\frac{2.29}{[58.1]}$	$\frac{2.28}{[57.9]}$	$\frac{.63}{[16.0]}$	$\frac{.54}{[13.7]}$	$\frac{.95}{[24.1]}$	$\frac{.55}{[14.0]}$	$\frac{2.49}{[63.2]}$	$\frac{1.04}{[26.4]}$	$\frac{.69}{[17.5]}$	$\frac{.39}{[9.9]}$	$\frac{.04}{[1.0]}$	$\frac{.12}{[18.0]}$

If this document is printed it becomes uncontrolled.
 Check for the latest revision.

Raychem
 RAYCHEM CORPORATION
 300 CONSTITUTION DRIVE
 MENLO PARK, CALIFORNIA 94025
 (415) 361-6055

Revision : B
 Date : 10/10/91

Part Number : 234A153-3S
 Description : Boot, Rectangular
 D-Subminiature, 90°. Side Entry,
 with Heat Recoverable Screen

®

Thermofit Molded Parts

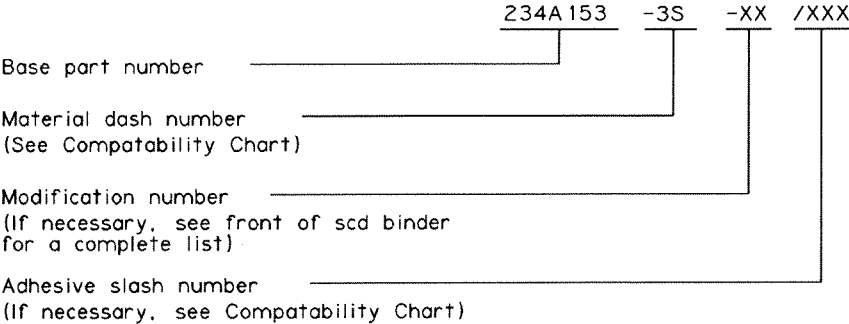
Specification Control Drawing

Limited Distribution

Part Number : 234A153-3S
 Description : Boot, Rectangular
 D-Subminiature, 90°, Side Entry,
 with Heat Recoverable Screen

COMPATABILITY CHART					
MATERIAL DASH NO.	MATERIAL DESCRIPTION	RT SPEC	COATING SLASH NO.	COATING S NO.	COATING DESCRIPTION
-3S	Polyolefin/Copper Composite	RT-1370			

ORDERING INFORMATION



THIS DRAWING IS SUBJECT TO CHANGE WITHOUT NOTICE: CONSULT YOUR
 NEAREST FIELD REPRESENTATIVE FOR CURRENT REVISION

If this document is printed it becomes uncontrolled.
 Check for the latest revision.

Raychem
 RAYCHEM CORPORATION
 300 CONSTITUTION DRIVE
 MENLO PARK, CALIFORNIA 94025
 (415) 361-6055

Revision : B
 Date : 10/10/91
 Page 2 of 2

Part Number : 234A153-3S
 Description : Boot, Rectangular
 D-Subminiature, 90°, Side Entry,
 with Heat Recoverable Screen