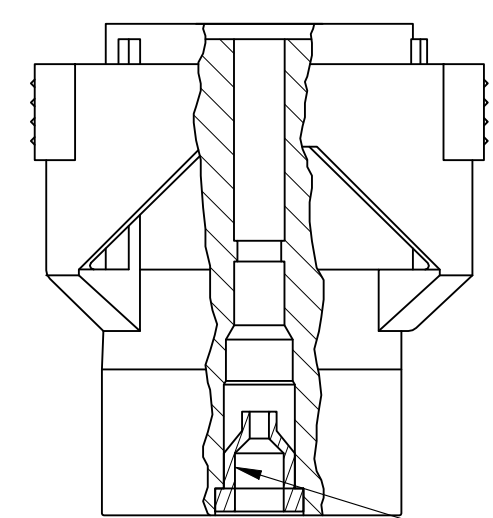
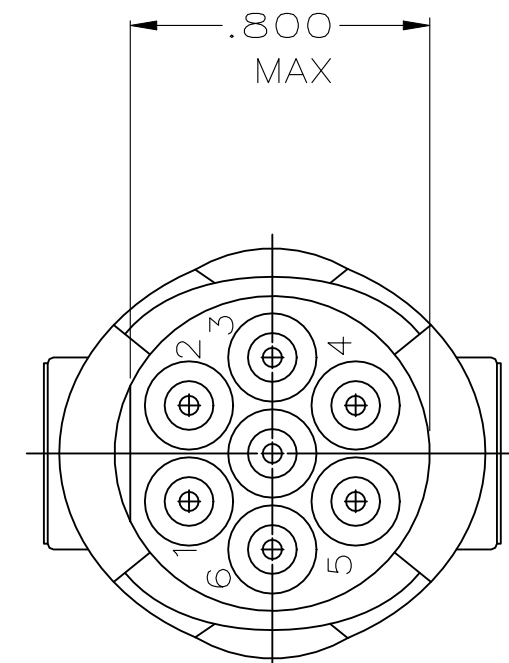
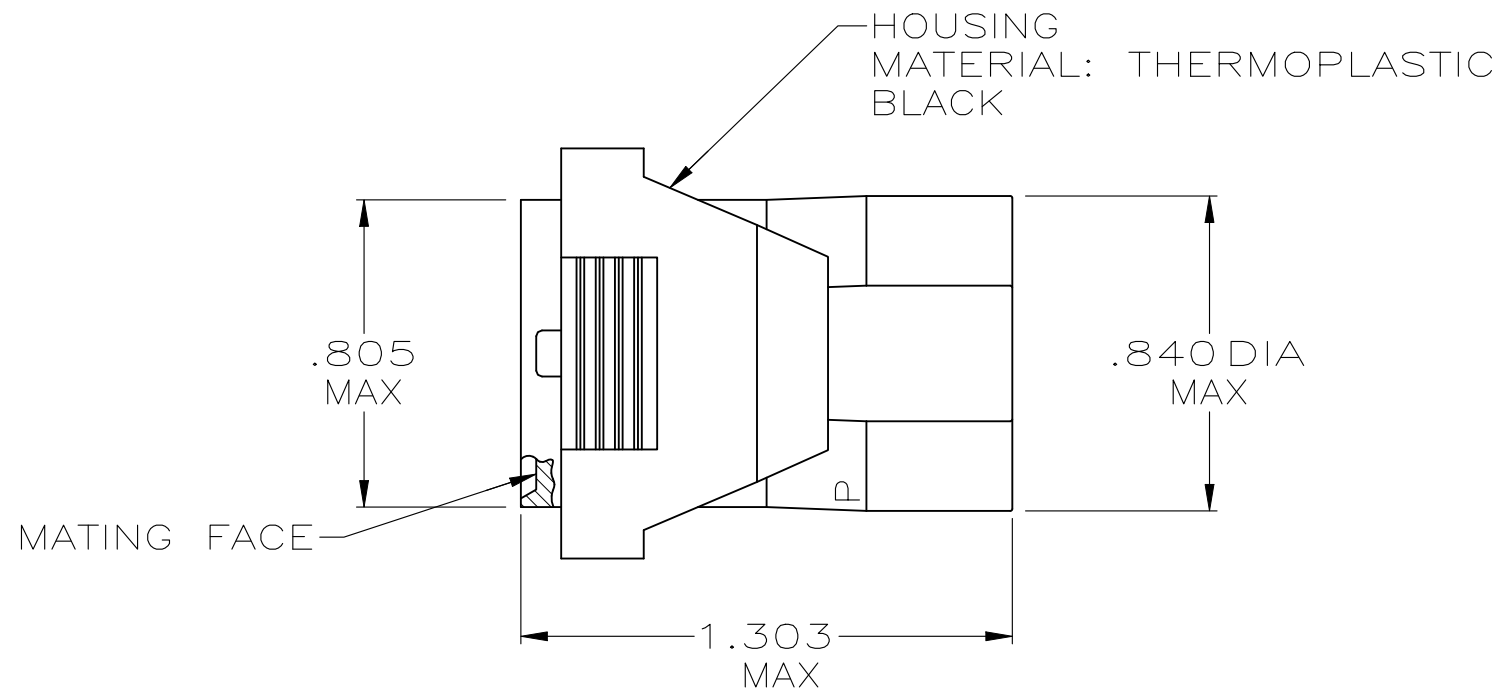
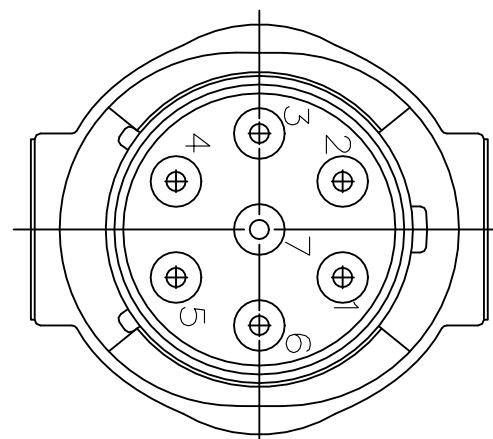


REVISIONS				
P	LTR	DESCRIPTION	DATE	APVD
	G	PER PCN E-20-018081	11MAR2021	SCK



DISCRETE WIRE SEALS  
MATERIAL: ELASTOMER  
BLACK

1. WIRE INSULATION SEALING RANGE .070-.130 DIA.
2. THIN MEMBRANE PERMISSIBLE ON SMALL DIAMETER OF WIRE SEALS.

207575-1  
PART NUMBER

THIS DRAWING IS A CONTROLLED DOCUMENT.		DWN J GALLUCCI BG 8-17-90	<b>STE</b> TE Connectivity				
DIMENSIONS: INCHES		CHK -					
TOLERANCES UNLESS OTHERWISE SPECIFIED:		APVD -	NAME PLUG, 7 POSN, STANDARD, CIRCULAR SEALED CONNECTOR				
0 PLC ± -		PRODUCT SPEC -					
1 PLC ± -		APPLICATION SPEC -	SIZE	CAGE CODE	DRAWING NO	RESTRICTED TO	
2 PLC ± -		---	A3	00779	C-207575	---	
3 PLC ± -		---	CUSTOMER DRAWING		SCALE 2:1	SHEET 1 OF 1	REV G
4 PLC ± -		---	WEIGHT 0.000000				
ANGLES ± -		---					
MATERIAL SEE CALLOUT		FINISH -					