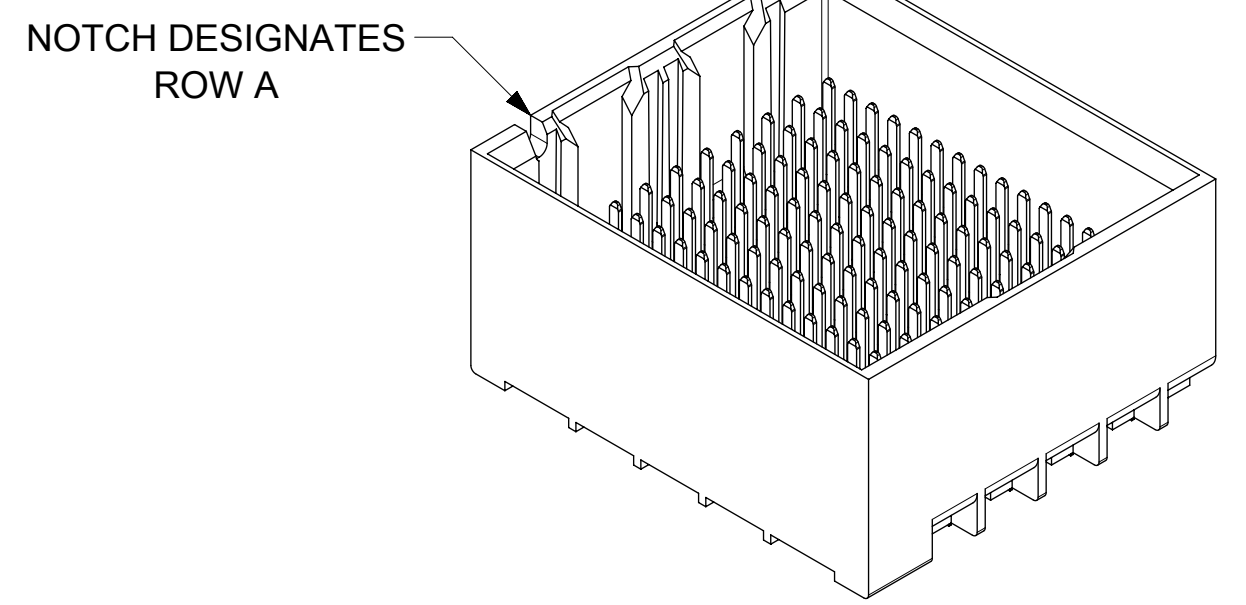


UNGUIDED BACKPLANE HOLE PATTERN (CONNECTOR SIDE) SEE NOTE 9

SEE PART NUMBER CHART AND PART NUMBER LOGIC (15 HOLES PER COLUMN)

Ø 0.10

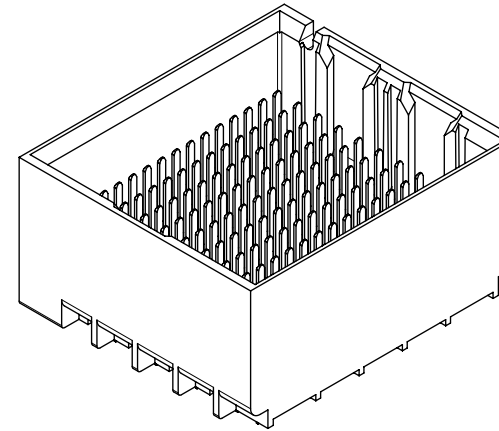


- NOTES:
1. MATERIALS: HOUSING - LIQUID CRYSTAL POLYMER (LCP) GLASS-FILLED, UL94V-0
TERMINALS - HIGH PERFORMANCE COPPER ALLOY
 2. FINISH: 30µ MIN. GOLD IN CONTACT AREA.
SELECTIVE TIN ON PCB TAILS.
NICKEL OVERALL.
 3. REFER TO MOLEX PRODUCT SPECIFICATION PS-76060-999 FOR PERFORMANCE SPECIFICATIONS AND ADDITIONAL PCB INFORMATION.
 4. THIS PART CONFORMS TO CLASS B REQUIREMENTS OF MOLEX COSMETIC SPEC PS-45499-002.
 5. PARTS PACKAGED PER PK-70873-7702.
 6. SEE SHEETS 2 & 3 FOR PART NUMBERS AND BOARD RELATIONSHIPS.
 7. MATES WITH IMPACT DC SERIES NO. 76060.
 8. REFER TO MOLEX PCB ROUTING GUIDE AS-76060-990 FOR ANTIPAD AND ROUTING RECOMMENDATIONS.
 9. "THESE DIMENSIONS REPRESENT THE AREA NEEDED TO ACCOMMODATE CONNECTOR INSERTION AND REPAIR ON THE PC BOARD. THIS IS REFERRED TO AS THE "CONNECTOR KEEP OUT ZONE" AND DOES NOT REPRESENT THE ACTUAL PERIMETER OF THE CONNECTOR. WHEN LAYING OUT A PC BOARD FOR CONNECTORS STACKED TOGETHER, USE THE 1.9mm PROGRESSION."

MIGRATED TO NX		GENERAL TOLERANCES (UNLESS SPECIFIED)		DIMENSION UNITS		SCALE		molex		
EC NO: 167486		ANGULAR TOL ± 0.5 °		MM		4:1				
DRWN: ABABU01		4 PLACES ±		DRWN BY		DATE		PRODUCT CUSTOMER DRAWING		
CHKD: CD		3 PLACES ±		JLAURX		2007/06/18				
REV / APPR: GGA		2 PLACES ± 0.13		CHKD BY		DATE		76055 SEE TABLE GENERAL MARKET		
		1 PLACE ± 0.25		JLAURX		2007/06/18				
		0 PLACES ±		APPR BY		DATE		SD-76055-001 PSD 001 1 OF 3		
DRAFT WHERE APPLICABLE MUST REMAIN WITHIN DIMENSIONS		DRAWING SIZE		THIRD ANGLE PROJECTION		C				

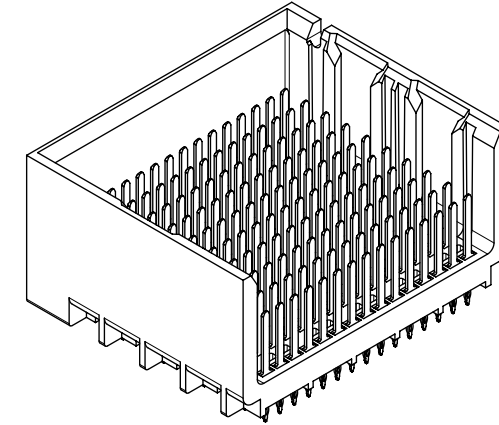
PART NUMBER TABLE

MATERIAL NUMBER	# OF COLUMNS	# OF DIFF PAIR	DIM. A	DIM. B	DUAL END WALL OPTION
76055-*12*	10	50	21.7	17.10	
76055-*22*	12	60	25.5	20.90	
76055-*72*	14	70	29.3	24.70	
76055-*62*	16	80	33.1	28.50	



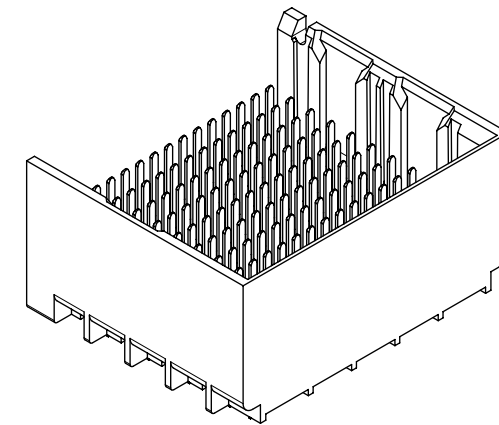
**DUAL END
WALL OPTION**

MATERIAL NUMBER	# OF COLUMNS	# OF DIFF PAIR	DIM. A	DIM. B	LEFT END WALL OPTION
76055-*11*	10	50	20.3	17.10	
76055-*21*	12	60	24.1	20.90	
76055-*71*	14	70	27.9	24.70	
76055-*61*	16	80	31.7	28.50	



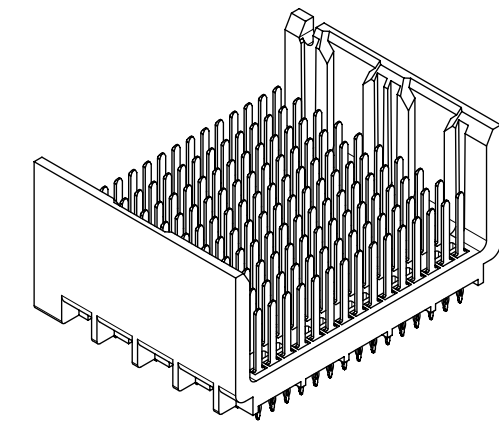
**LEFT END
WALL OPTION**

MATERIAL NUMBER	# OF COLUMNS	# OF DIFF PAIR	DIM. A	DIM. B	RIGHT END WALL OPTION
76055-*13*	10	50	20.3	17.10	
76055-*23*	12	60	24.1	20.90	
76055-*73*	14	70	27.9	24.70	
76055-*63*	16	80	31.7	28.50	



**RIGHT END
WALL OPTION**

MATERIAL NUMBER	# OF COLUMNS	# OF DIFF PAIR	DIM. A	DIM. B	OPEN WALL OPTION
76055-*10*	10	50	18.9	17.10	
76055-*20*	12	60	22.7	20.90	
76055-*70*	14	70	26.5	24.70	
76055-*60*	16	80	30.3	28.50	



**OPEN
WALL OPTION**

THIS DRAWING CONTAINS INFORMATION THAT IS PROPRIETARY TO MOLEX ELECTRONIC TECHNOLOGIES, LLC AND SHOULD NOT BE USED WITHOUT WRITTEN PERMISSION												
MIGRATED TO NX EC NO: 167486 DRWN: ABABU01 CHKD: CD REV / APPR: GGA	2017/10/31 2017/10/31 2017/11/02		GENERAL TOLERANCES (UNLESS SPECIFIED)			DIMENSION UNITS MM		SCALE 2:1		molex IMPACT 5 PAIR HEADER UNGUIDED ASSEMBLY SALES DRAWING		
	ANGULAR TOL ± 0.5 °		DRWN BY JLAURX		DATE 2007/06/18							
	4 PLACES ±		CHKD BY JLAURX		DATE 2007/06/18					PRODUCT CUSTOMER DRAWING		
	3 PLACES ±		APPR BY JLAURX		DATE 2010/10/15					SERIES MATERIAL NUMBER CUSTOMER 76055 SEE TABLE GENERAL MARKET		
	2 PLACES ± 0.13		DRAWING SIZE C		THIRD ANGLE PROJECTION 					DOCUMENT NUMBER DOC TYPE DOC PART SHEET NUMBER SD-76055-001 PSD 001 2 OF 3		
1 PLACE ± 0.25												
0 PLACES ±												
DRAFT WHERE APPLICABLE MUST REMAIN WITHIN DIMENSIONS												

PART NUMBER LOGIC

76055-****

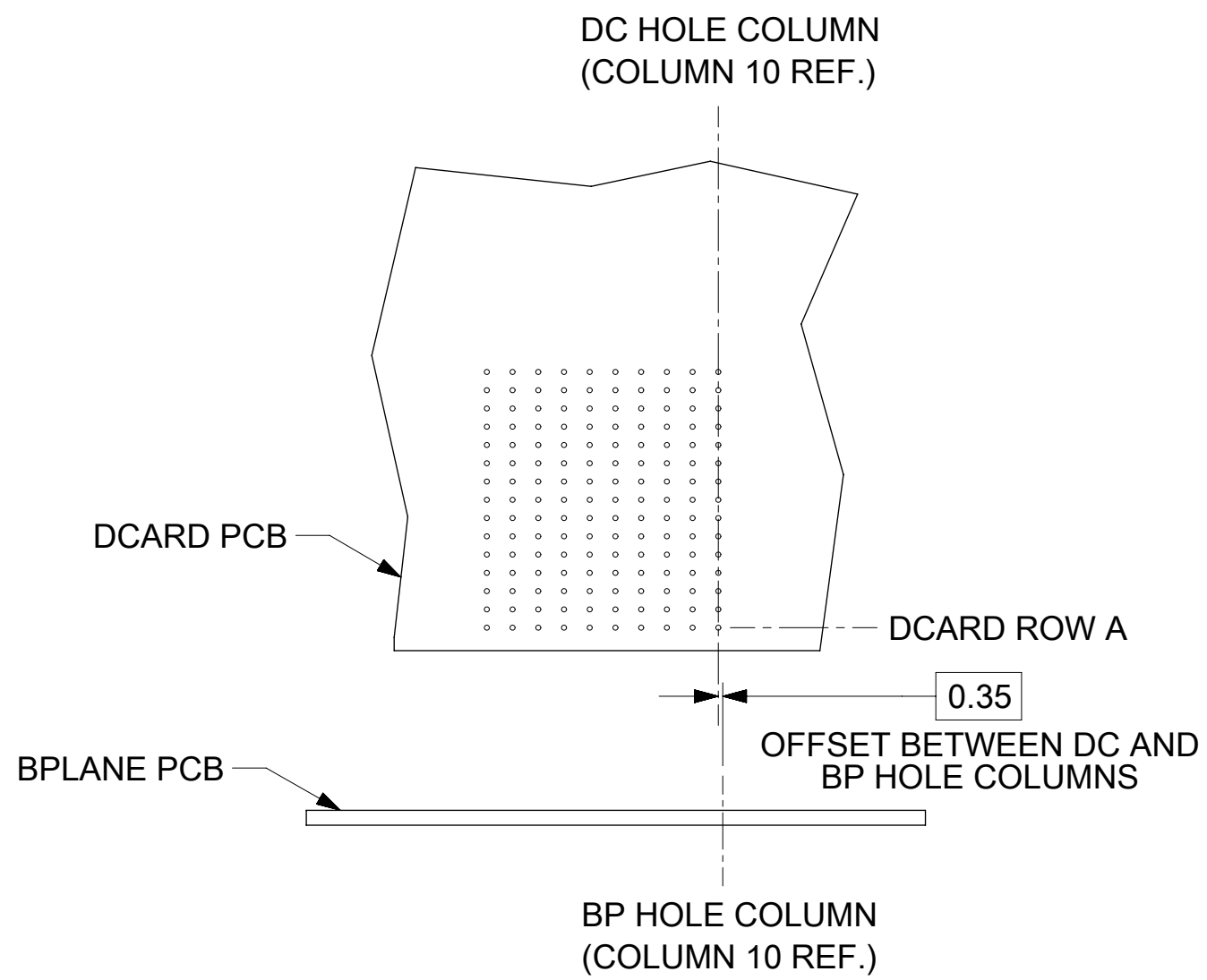
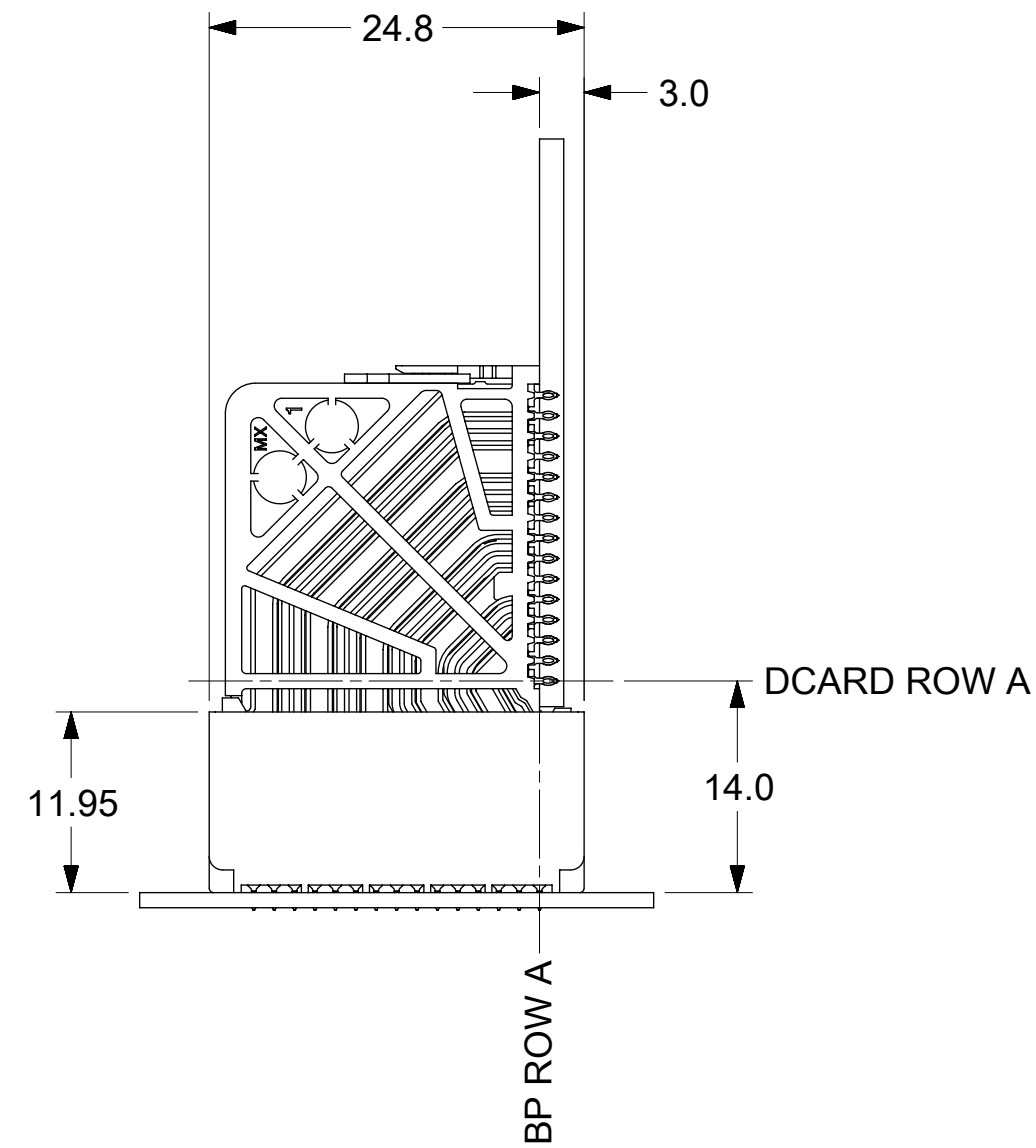
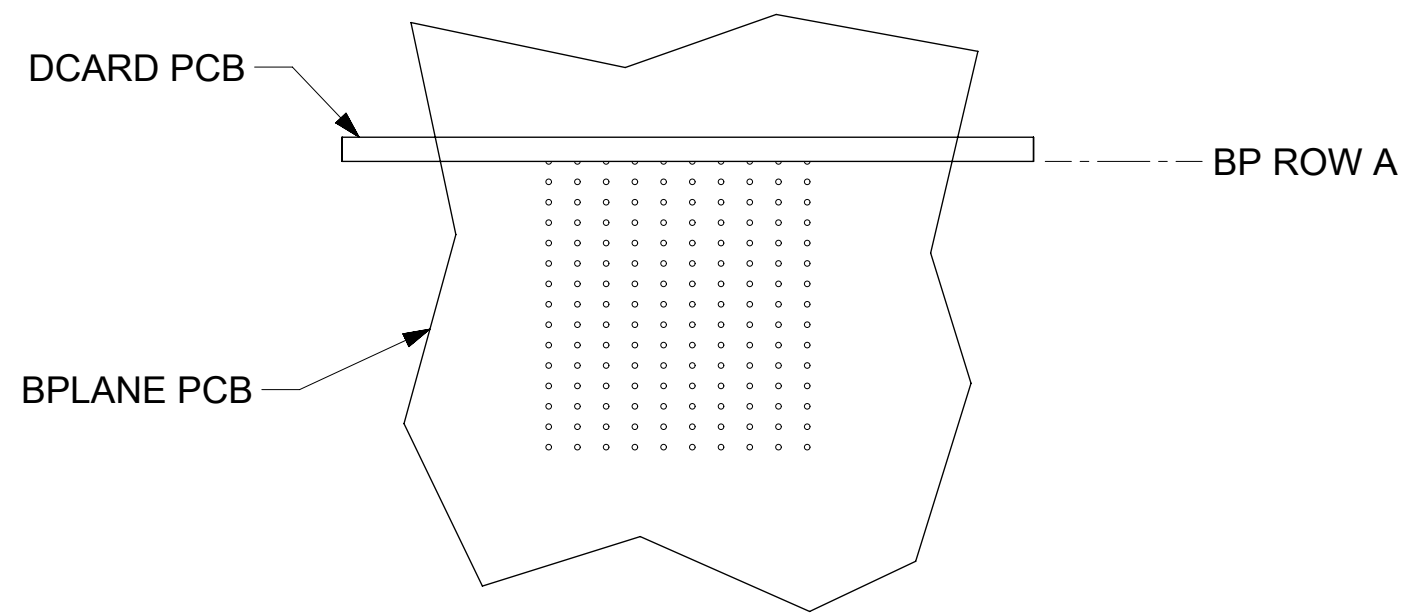
MODULE TYPE
1 = UNGUIDED, TIN

OF COLUMNS
1 = 10 COL.
2 = 12 COL.
6 = 16 COL.
7 = 14 COL.

P=PIN LENGTH
3 = 4.50 (SHORT COMPLIANT, 0.46±0.05 PTH)
4 = 4.90 (SHORT COMPLIANT, 0.46±0.05 PTH)
5 = 5.50 (SHORT COMPLIANT, 0.46±0.05 PTH)
6 = 4.50 (MICRO COMPLIANT, 0.39±0.05 PTH)
7 = 4.90 (MICRO COMPLIANT, 0.39±0.05 PTH)
8 = 5.50 (MICRO COMPLIANT, 0.39±0.05 PTH)

ENDWALL OPTIONS
0 = OPEN ENDS
1 = LEFT END WALL
2 = DUAL END WALL
3 = RIGHT END WALL

IMPACT 5 PAIR BOARD RELATIONSHIPS



THIS DRAWING CONTAINS INFORMATION THAT IS PROPRIETARY TO MOLEX ELECTRONIC TECHNOLOGIES, LLC AND SHOULD NOT BE USED WITHOUT WRITTEN PERMISSION

MIGRATED TO NX EC NO: 167486 DRWN: ABABU01 CHKD: CD REV / APPR: GGA	2017/10/31	2017/10/31	2017/11/02	GENERAL TOLERANCES (UNLESS SPECIFIED)		DIMENSION UNITS	SCALE	molex			
				ANGULAR TOL ± 0.5 °		MM	2:1				IMPACT 5 PAIR HEADER UNGUIDED ASSEMBLY SALES DRAWING
				4 PLACES ±	JLAURX		DATE		PRODUCT CUSTOMER DRAWING		
				3 PLACES ±	JLAURX		DATE		SERIES MATERIAL NUMBER CUSTOMER		
			2 PLACES ± 0.13	JLAURX		DATE		76055 SEE TABLE GENERAL MARKET			
			1 PLACE ± 0.25	JLAURX		DATE		DOCUMENT NUMBER DOC TYPE DOC PART SHEET NUMBER			
			0 PLACES ±	JLAURX		DATE		SD-76055-001 PSD 001 3 OF 3			
DRAFT WHERE APPLICABLE MUST REMAIN WITHIN DIMENSIONS				C		THIRD ANGLE PROJECTION					