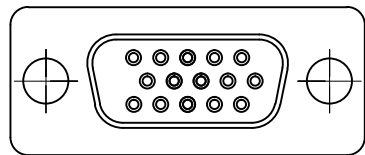
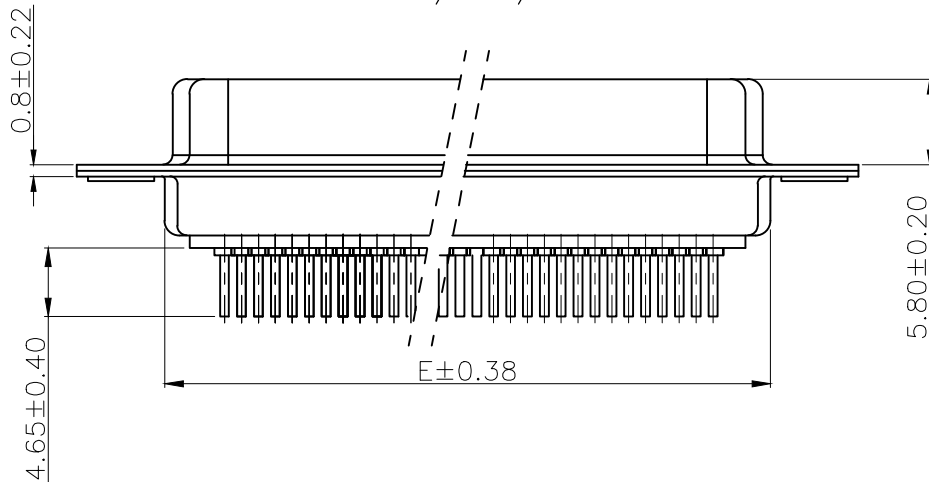


FOR 26/44/62P



FOR 15P

REMARK:

1. CHARACTERISTICS:

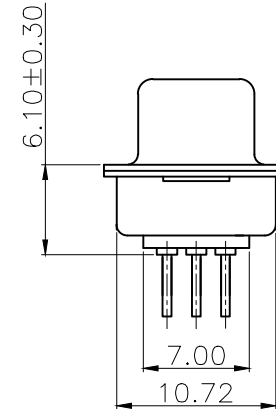
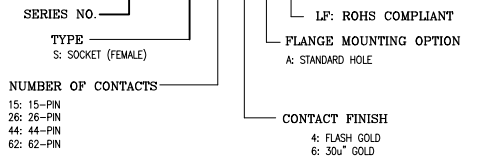
- RATED VOLTAGE: 250V
- RATED CURRENT: 2.5AMP
- CONTACT RESISTANCE: 25mohms MAX. INITIAL, 40mohms MAX. AFTER.
- INSULATION RESISTANCE: 5000Mohms MIN. at 500V DC
- DIELECTRIC STRENGTH: 750VRMS
- OPERATING TEMPERATURE RANGE: -55° C~105° C
- INSERTION/EXTRACTION FORCE PER CONTACT: 5N Max. /0.2N Min.
- MATING/UNMATING CYCLES: 200 MATINGS MIN FOR GOLD-FLASH 500 MATINGS MIN FOR 30u" GOLD.

2. MATERIAL:

- INSULATORS: THERMOPLASTIC G. F (UL94V-0) BLACK
- CONTACTS: COPPER ALLOY, GOLD(G/F or 30u") TOP OVER CONTACT AREA, 100u" Min MATTE TIN TOP OVER SOLDER AREA, 50u" Min NICKEL UNDER PLATE.
- SHELL: CARBON STEEL, 100u" Min NICKEL TOP OVER, 50u" Min COPPER UNDER PLATE.

3. PART NUMBER DESCRIPTION:

10111838-S XX X A LF



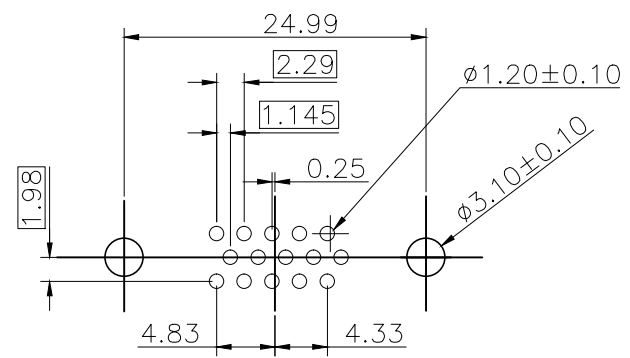
POS.	A	B	C	D	E
15	30.81	24.99	16.33	2.29	19.10
26	39.24	33.32	24.66	2.29	27.75
44	53.04	47.04	38.38	2.29	41.30
62	69.32	63.50	54.84	2.41	57.40

mat'l. code				tolerances unless otherwise specified		CUSTOMER COPY		FCI		www.fciconnect.com	
ltr	ecn no	dr	date	linear	.X ± 0.38	projection	title	H/D D-SUB FEMALE STRAIGHT			
A		MP	3/01/13		.XX ± 0.25						
				angles	.XXX ± 0.10	MM	product family	D-SUB		code	TWN
				dr	0° ± 2°						
				dr	JASON HSU 1/12/10	scale	size	dwg no	10111838	sheet	1 of 2
				enr	JASON HSU 1/12/10						
				chr	MITHUN PAUL 3/01/13	1:1	A4				
				appd	MITHUN PAUL 3/01/13						
sheet index	revision sheet	A	A								
		1	2								

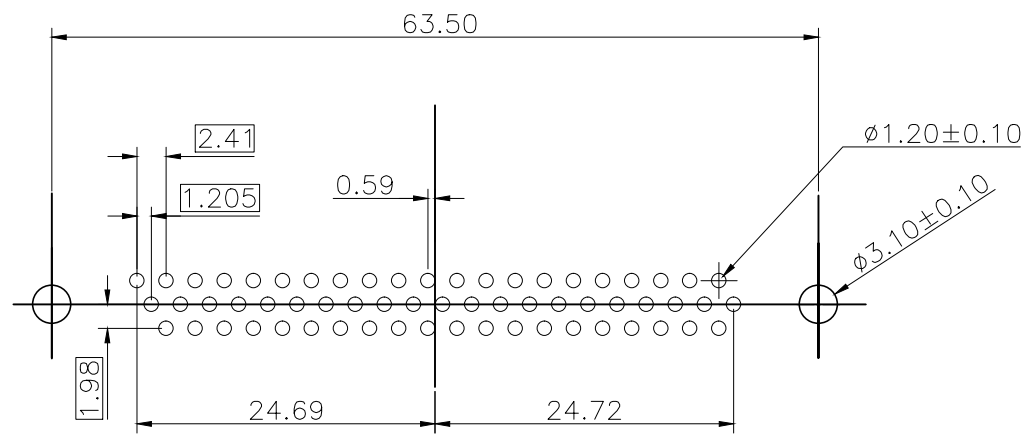
Tous droits strictement reserves. Reproduction ou communication a des tiers interdite sous quelque forme que ce soit sans autorisation ecrite du proprietaire. Propriete de c FCI. Droits de reproduction FCI.



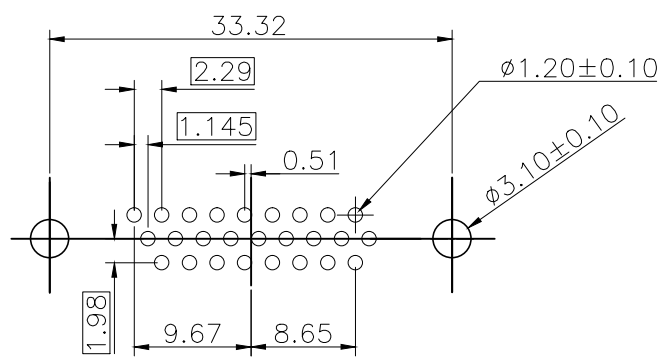
All rights strictly reserved. Reproduction or issue to third parties in any form whatever is not permitted without written authority from the proprietor. Property of FCI. Copyright FCI.



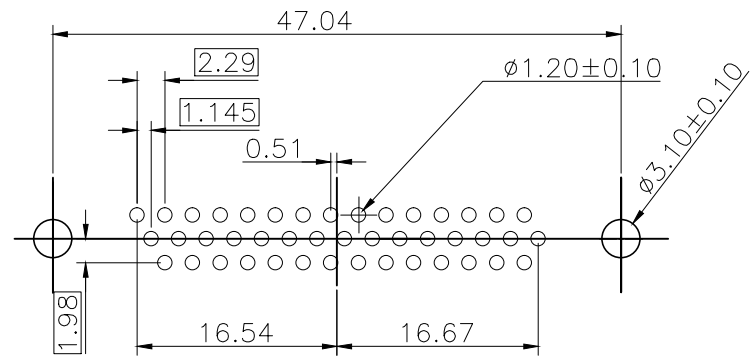
P.C.B LAYOUT(FOR 15P)



P.C.B LAYOUT(FOR 62P)



P.C.B LAYOUT(FOR 26P)



P.C.B LAYOUT(FOR 44P)

mat'l. code				tolerances unless otherwise specified			CUSTOMER COPY		FCI www.fciconnect.com	
ltr	ecn no	dr	date	linear	.X ± 0.38		projection	title H/D D-SUB FEMALE STRAIGHT PCB		
A					.XX ± 0.25					
				angles	.XXX ± 0.10		MM	product family		code
					0° ± 2°			D-SUB		TWN
				dr	JASON HSU	1/12/10	scale	size		sheet
				engr	JASON HSU	1/12/10		10111838		
				chr	MITHUN PAUL	3/01/13	1:1	dwg no		
				appd	MITHUN PAUL	3/01/13		A4		
sheet index	revision sheet	A	A							
		1	2							