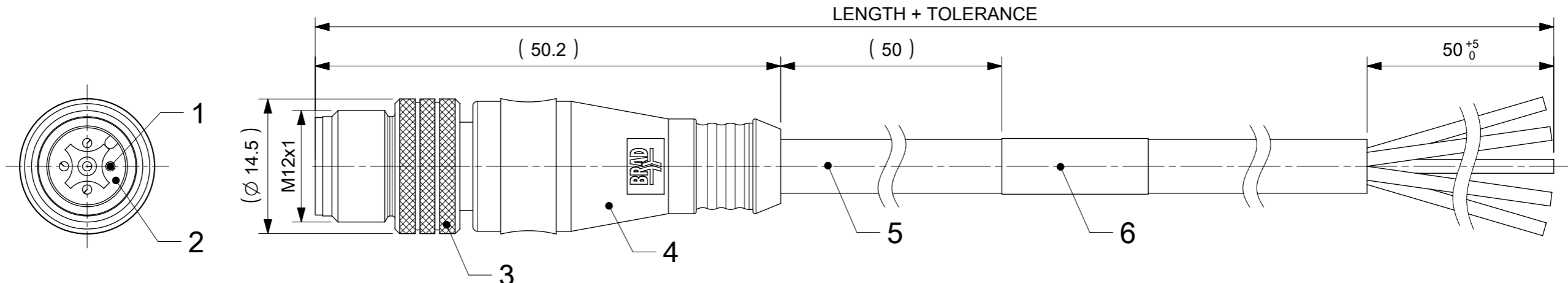
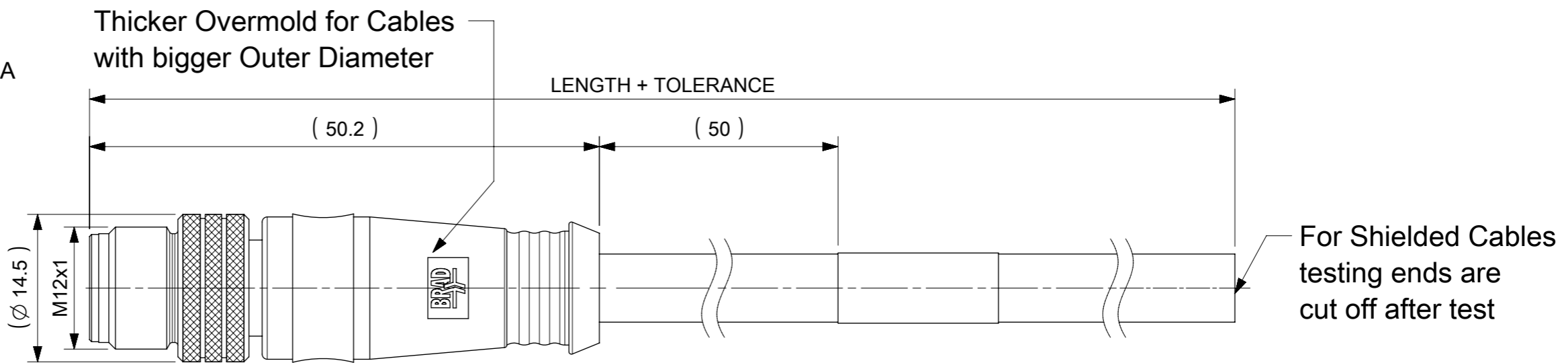
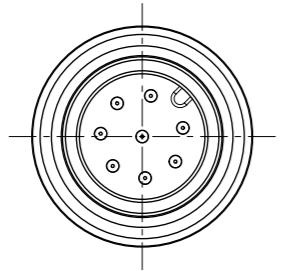


MALE PLUG M12 STRAIGHT



NOTES:
 RATED VOLTAGE: 3, 4 contacts 250V
 5 contacts 60V
 8 contacts 30V
 RATED CURRENT: 3, 4, 5 contacts 4A
 8 contacts 2A
 PROTECTION CLASS: IP 67
 TEMPERATURE: -25°C / +85°C



CONTACTS POSITION FRONT VIEW:

| 3 CONTACTS | | 4 CONTACTS | | 5 CONTACTS | | 8 CONTACTS | |
|------------|-------|------------|-------|------------|----------------------|------------|--------|
| | | | | | | | |
| PIN | WIRE | PIN | WIRE | PIN | WIRE | PIN | WIRE |
| 1 | BROWN | 1 | BROWN | 1 | BROWN | 1 | WHITE |
| 2 | --- | 2 | WHITE | 2 | WHITE | 2 | BROWN |
| 3 | BLUE | 3 | BLUE | 3 | BLUE | 3 | GREEN |
| 4 | BLACK | 4 | BLACK | 4 | BLACK | 4 | YELLOW |
| 5 | --- | 5 | --- | 5 | GRAY OR YELLOW/GREEN | 5 | GREY |
| | | | | | | 6 | PINK |
| | | | | | | 7 | BLUE |
| | | | | | | 8 | RED |

CODING REQUIRED TO IEC 61076-2-101

FOR OPTIONS SEE - NUMERICAL CODE - ON SHEET 2

| ITEM | QTY. | DESCRIPTION | MATERIAL | FINISH |
|------|---------------|-------------------------|-------------|----------------------|
| 6 | 1 | LABEL YELLOW | VINYL | --- |
| | - | PRINTING FOR CABLES lxx | --- | --- |
| 5 | - | CABLE | SEE SHEET 2 | --- |
| 4 | - | OVERMOLDING BLACK | TPU | --- |
| 3 | 1 | COUPLING NUT MALE | BRASS | NICKEL |
| 2 | 1 | INSERT MALE BLACK | PUR | --- |
| 1 | 3 / 4 / 5 / 8 | CONTACT M12 MALE | BRASS | SELECTIVE Au OVER Ni |

THIS DRAWING CONTAINS INFORMATION THAT IS PROPRIETARY TO MOLEX ELECTRONIC TECHNOLOGIES, LLC AND SHOULD NOT BE USED WITHOUT WRITTEN PERMISSION

| | | | | |
|--|---------|--|-----------------|----------|
| DIMENSION UNITS | SCALE | CURRENT REV DESC: | | |
| mm | 2:1 | | | |
| GENERAL TOLERANCES (UNLESS SPECIFIED) | | <p>molex</p> <p>CSE M12 XP AC MA STR XM SE UNSH</p> <p>PRODUCT CUSTOMER DRAWING</p> | | |
| ANGULAR TOL | ± 1.0 ° | | | |
| 4 PLACES | ± | | | |
| 3 PLACES | ± | | | |
| 2 PLACES | ± 0.05 | | | |
| 1 PLACE | ± 0.1 | EC NO: 726454 | 2022/11/22 | |
| 0 PLACES | ± 0.2 | DRWN: LIKITV | 2022/11/30 | |
| DRAFT WHERE APPLICABLE MUST REMAIN WITHIN DIMENSIONS | | APPR: GGA | 2022/11/30 | |
| THIRD ANGLE PROJECTION | | INITIAL REVISION: | DOCUMENT NUMBER | DOC TYPE |
| | | DRWN: JMARSZALEK | 1200650971 | PSD |
| DRAWING | | APPR: RSILLER | DOC PART | REVISION |
| A3-SIZE | | 2016/01/13 | 000 | A8 |
| SERIES | | 2016/04/08 | SHEET NUMBER | |
| 120065 | | SEE SHEET 3 | 1 OF 3 | |
| MATERIAL NUMBER | | CUSTOMER | | |
| SEE SHEET 3 | | GENERAL MARKET | | |

ENGINEERING NO. - NUMERICAL CODE (Available parts see PART LIST table. Others on request).

OPTIONS



H= 2 pcs. of I/D Carrier
PVC Transparent
(Cables Ixx & P82 always with 2 pcs. of I/D Carrier even if no H in Engineering No.)

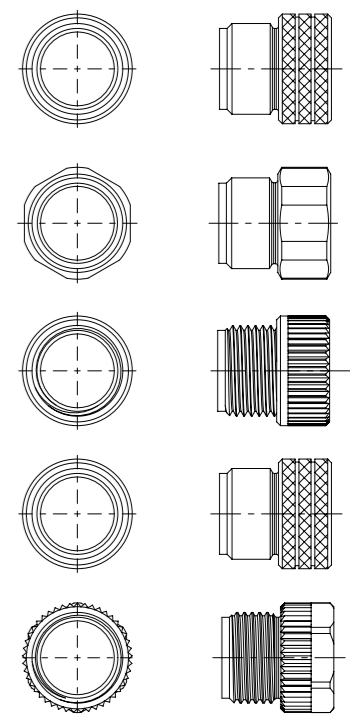
8 0 X 0 0 6 X X X X X X X X

- 80=M12x1 Single ended
- Contacts: 3=3 Contacts, 4=4 Contacts, 5=5 Contacts, 8=8 Contacts
- Heads style: 006=Plug Male Straight
- Cable type: See Table
- Units: M=Meter, C=Centimeter
- Length Examples: 005=0.5 unit, 010=1 unit, 100=10 units

Overmold color:
Blank (Standard)=Black TPU
Blank=Yellow TPU for cables A09,S19,S20,S26
Blank=Yellow TPE-E for cables K03,K05
A=Grey / G=Black / Y=Yellow

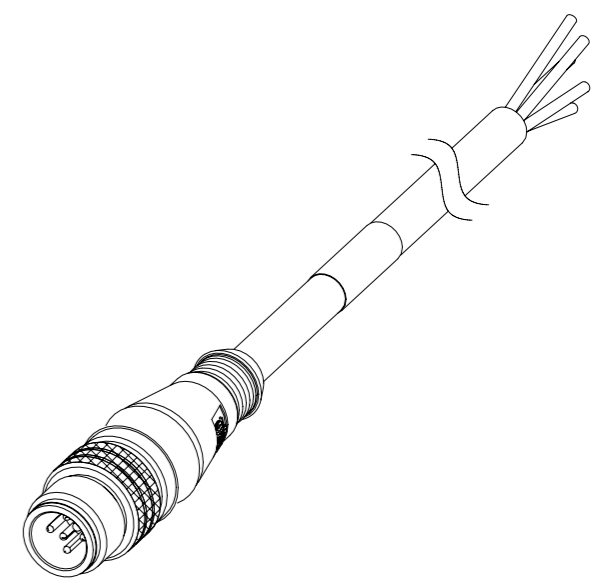
Coupling Nut:
Blank (Standard) & 3=Knurled Brass Ni Plated
1=Hexagonal Stainless steel
5=Knurled Derlin
7=Knurled Brass Ni Plated, Teflon Coated
Blank=7 for cables I20, I26, K03, K05, P82, S26
9=Knurled / Hexagonal Brass Ni Plated SW13

COUPLING NUTS



CABLE INFORMATION (for more information see Cable Data Sheet).

| CABLE TYPE | NO. OF WIRES | CROSS SECTION | CABLE JACKET | UL | CSA | STATIC: TEMP. / BENDING RADIUS | DYNAMIC: TEMP. / BENDING RADIUS | DRAG CHAIN | SHIELD |
|------------|--------------|---------------------|----------------|------------------------|-----------------------|--------------------------------|---------------------------------|------------|--------|
| E52 | 3 / 4 / 8 | 0.34mm ² | PVC GREY | - | - | -30°C to +70°C | -5°C to +70°C | - | - |
| I02 | 3 / 4 / 8 | 0.25mm ² | PVC CEI GREY | - | - | -30°C to +70°C | -5°C to +70°C | - | - |
| I03 | 3 / 4 / 5 | 0.34mm ² | PVC CEI GREY | - | - | -30°C to +70°C | -5°C to +70°C | - | - |
| I20 | 3 / 4 | 0.34mm ² | PVC CEI GREY | - | - | -30°C to +70°C | -5°C to +70°C | - | YES |
| I26 | 5 | 0.34mm ² | PVC CEI GREY | - | - | -30°C to +70°C | -5°C to +70°C | - | - |
| K03 | 4 / 5 | 0.34mm ² | TPE YELLOW | UL JEC 60332-1 or PLCT | I/II 90°C/300V | - | - | - | - |
| K05 | 3 / 4 / 5 | 0.34mm ² | TPE YELLOW | UL ITC E195601 or PLC | I/II A/B 90°C/300V | - | - | - | - |
| P04 | 4 | 0.50mm ² | PUR BLACK | - | - | -40°C to +90°C, 7.5xO.D. | -15°C to +90°C, 12.5xO.D. | - | - |
| P12 | 3 / 5 | 0.50mm ² | PUR BLACK | - | - | -30°C to +90°C | -5°C to +90°C | - | - |
| P20 | 3 / 4 / 5 | 0.34mm ² | PUR BLACK LS0H | - | - | -30°C to +80°C | - | - | YES |
| P82 | 3 / 4 / 5 | 0.34mm ² | PUR IRR ORANGE | - | - | -50°C to +105°C, 5xO.D. | -40°C to +105°C, 7.5xO.D. | - | - |
| S19 | 8 | 0.25mm ² | PVC YELLOW | UL 2661/1569 | C22.2 II A 105°C/300V | -30°C to +105°C, 10xO.D. | -15°C to +105°C, 15xO.D. | - | YES |
| S20 | 3 / 4 / 5 | 0.34mm ² | PVC YELLOW | UL 2661/1731 | C22.2 II A 105°C/300V | -30°C to +105°C | - | - | YES |
| S26 | 5 | 0.34mm ² | PVC YELLOW | UL 2661/1731 | C22.2 II A 105°C/300V | -30°C to +105°C | - | - | YES |



SCALE 1:1

| OVER | UP TO AND INCLUDING | TOLERANCES |
|---------|---------------------|------------------------|
| 0 | 305mm | +19mm |
| 305mm | 915mm | +45mm |
| 915mm | 1830mm | +56mm |
| 1830mm | 3660mm | +89mm |
| 3660mm | 7320mm | +165mm |
| 7320mm | 14640mm | +317mm |
| 14640mm | 30500mm | +610mm |
| 30500mm | > | +2% OF FINISHED LENGTH |


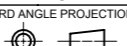
THIS DRAWING CONTAINS INFORMATION THAT IS PROPRIETARY TO MOLEX ELECTRONIC TECHNOLOGIES, LLC AND SHOULD NOT BE USED WITHOUT WRITTEN PERMISSION

| | | | | | |
|--|--------|-------------------|---------------------------------|-----------------|----------------|
| DIMENSION UNITS | SCALE | CURRENT REV DESC: | molex | | |
| mm | 1:1 | | | | |
| GENERAL TOLERANCES (UNLESS SPECIFIED) | | | CSE M12 XP AC MA STR XM SE UNSH | | |
| ANGULAR TOL | ± 1.0° | EC NO: 726454 | PRODUCT CUSTOMER DRAWING | | |
| 4 PLACES | ± | DRWN: LIKITV | 2022/11/22 | | |
| 3 PLACES | ± | CHK'D: GGA | 2022/11/30 | | |
| 2 PLACES | ± 0.05 | APPR: GGA | 2022/11/30 | | |
| 1 PLACE | ± 0.1 | INITIAL REVISION: | | | |
| 0 PLACES | ± 0.2 | DRWN: JMARSZALEK | 2016/01/13 | DOCUMENT NUMBER | DOC TYPE |
| DRAFT WHERE APPLICABLE MUST REMAIN WITHIN DIMENSIONS | | | APPR: RSILLER | 2016/04/08 | DOC PART |
| THIRD ANGLE PROJECTION | | | SERIES | MATERIAL NUMBER | CUSTOMER |
| | | | A3-SIZE | 120065 | GENERAL MARKET |
| | | | SEE SHEET 3 | 1200650971 | REVISION |
| | | | | | PSD 000 A8 |
| | | | | | SHEET NUMBER |
| | | | | | 2 OF 3 |

PART LIST

| No. | Part No. | Engineering No. | Cable Length |
|-----|------------|-----------------|--------------|
| 1 | 1200060243 | 803006E52M050A | 5m |
| 2 | 1200060252 | 803006I03M020 | 2m |
| 3 | 1200060253 | 803006I03M030 | 3m |
| 4 | 1200060254 | 803006I03M050 | 5m |
| 5 | 1200060565 | 804006I03M020 | 2m |
| 6 | 1200060567 | 804006I03M050 | 5m |
| 7 | 1200060568 | 804006I03M100 | 10m |
| 8 | 1200060578 | 804006S20M010 | 1m |
| 9 | 1200060579 | 804006S20M020 | 2m |
| 10 | 1200060581 | 804006S20M100 | 10m |
| 11 | 1200060674 | 805006I03M005 | 0.5m |
| 12 | 1200060675 | 805006I03M020 | 2m |
| 13 | 1200060684 | 805006S26M020 | 2m |
| 14 | 1200061023 | 804006I20M003 | 0.3m |
| 15 | 1200061551 | 803006S20M050 | 5m |
| 16 | 1200061663 | 804006E52M100A | 10m |
| 17 | 1200061664 | 804006E52M200A | 20m |
| 18 | 1200061781 | 805006I26M050 | 5m |
| 19 | 1200062540 | 805006P12M010 | 1m |
| 20 | 1200062541 | 805006P12M015 | 1.5m |
| 21 | 1200062606 | 803006S20M100 | 10m |
| 22 | 1200062618 | 805006P12M0035 | 0.3m |
| 23 | 1200062770 | 805006P12M030 | 3m |
| 24 | 1200063282 | 805006P20M010 | 1m |
| 25 | 1200064014 | 803006P82M0067 | 0.6m |
| 26 | 1200064375 | 803006P82M0107 | 1m |
| 27 | 1200064444 | 805006I03C150 | 0.15m |
| 28 | 1200650971 | 808006S19M010 | 1m |
| 29 | 1200651133 | 804006K05M100 | 10m |
| 30 | 1200651788 | 804006E52M005A | 0.5m |
| 31 | 1200651790 | 804006E52M050A | 5m |
| 32 | 1200658170 | 805006S26M050 | 5m |
| 33 | 1200658201 | 804006S20M050 | 5m |
| 34 | 1200658325 | 804006I03M010 | 1m |
| 35 | 1200658497 | 804006P20M150 | 15m |

| No. | Part No. | Engineering No. | Cable Length |
|-----|------------|-----------------|--------------|
| 36 | 1200658595 | 803006I03M040 | 4m |
| 37 | 1200658601 | 804006I03M040 | 4m |
| 38 | 1200658961 | 804006S20M0201 | 2m |
| 39 | 1200658962 | 804006S20M1001 | 10m |
| 40 | 1200658965 | 804006S20M0501 | 5m |
| 41 | 1200658973 | 805006S20M050 | 5m |
| 42 | 1200659122 | 804006I03M050Y | 5m |
| 43 | 1200659174 | 805006S26M050H | 5m |
| 44 | 1200659347 | 804006S20M350 | 35m |
| 45 | 1200659364 | 804006S20M010H | 1m |
| 46 | 1200699506 | 808006S19M020 | 2m |
| 47 | 1200699507 | 808006S19M030 | 3m |
| 48 | 1200699508 | 808006S19M050 | 5m |
| 49 | 1200699509 | 808006S19M100 | 10m |
| 50 | 1200064547 | 804006K03M100 | 10m |
| 51 | 1200652151 | 805006K03M050 | 5m |
| 52 | 1200651129 | 804006K05M020 | 2m |
| 53 | 1200651131 | 804006K05M050 | 5m |
| 54 | 1200651374 | 805006K03M020 | 2m |
| 55 | | | |
| 56 | | | |
| 57 | | | |
| 58 | | | |
| 59 | | | |
| 60 | | | |
| 61 | | | |
| 62 | | | |
| 63 | | | |
| 64 | | | |
| 65 | | | |
| 66 | | | |
| 67 | | | |
| 68 | | | |
| 69 | | | |
| 70 | | | |

| | | | | | | | | | |
|---|-------|---|---------|--------|--|----------------|--------------|--|--|
| THIS DRAWING CONTAINS INFORMATION THAT IS PROPRIETARY TO MOLEX ELECTRONIC TECHNOLOGIES, LLC AND SHOULD NOT BE USED WITHOUT WRITTEN PERMISSION | | | | | | | | | |
| DIMENSION UNITS | SCALE | CURRENT REV DESC: | | |  CSE M12 XP AC MA STR XM SE UNSH | | | | |
| mm | 1:1 | | | | | | | | |
| GENERAL TOLERANCES (UNLESS SPECIFIED) | | EC NO: 726454 | | | PRODUCT CUSTOMER DRAWING | | | | |
| ANGULAR TOL ± 1.0 ° | | DRWN: LIKITV 2022/11/22 | | | | | | | |
| 4 PLACES ± | | CHK'D: GGA 2022/11/30 | | | DOCUMENT NUMBER: 1200650971 DOC TYPE: PSD DOC PART: 000 REVISION: A8 | | | | |
| 3 PLACES ± | | APPR: GGA 2022/11/30 | | | | | | | |
| 2 PLACES ± 0.05 | | INITIAL REVISION: | | | MATERIAL NUMBER: SEE PART LIST CUSTOMER: GENERAL MARKET SHEET NUMBER: 3 OF 3 | | | | |
| 1 PLACE ± 0.1 | | DRWN: JMARSZALEK 2016/01/13 | | | | | | | |
| 0 PLACES ± 0.2 | | APPR: RSILLER 2016/04/08 | | | | | | | |
| DRAFT WHERE APPLICABLE MUST REMAIN WITHIN DIMENSIONS | | THIRD ANGLE PROJECTION | DRAWING | SERIES | MATERIAL NUMBER | CUSTOMER | SHEET NUMBER | | |
| | |  | A3-SIZE | 120065 | SEE PART LIST | GENERAL MARKET | 3 OF 3 | | |

| | | | | |
|-----------------|----|--------------|------------|----------|
| DOCUMENT STATUS | P1 | RELEASE DATE | 2022/11/30 | 11:33:42 |
|-----------------|----|--------------|------------|----------|