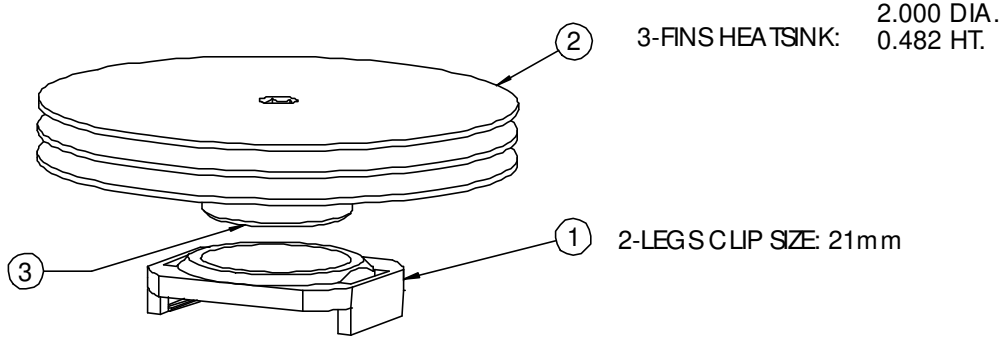


REVISION(S)			
LTR	DESCRIPTION	INIT	APP'D
A	OS60-0009-04	E.T 1/13/04	S.D 1/13/04
B	ECO-05-008423	E.T 9/14/05	B.P 12/1/05
B1	ECR-05-017787	E.T 12/13/05	B.P 12/13/05



NOTE:

1. MATERIAL:

HEAT SINK: ALUM. (BLACK ANODIZE)  
CLIP: BLACK PEI (UL94-V0)

2. BEFORE THE HEATSINK APPLICATION, THE USER SHOULD IDENTIFY THE SPECIFICATION OF MAXIMUM LOAD ON THE BGA PACKAGE.

HEATSINK TORQUE SPECIFICATIONS CONVERTED TO FORCE.

BARE DIE PACKAGE:

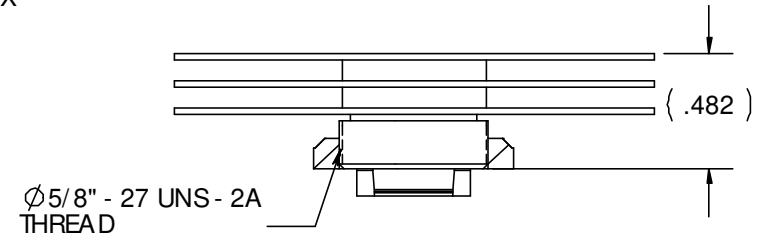
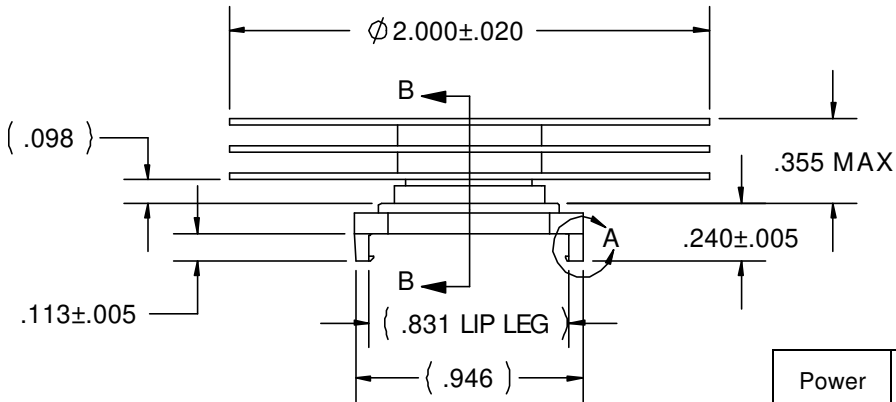
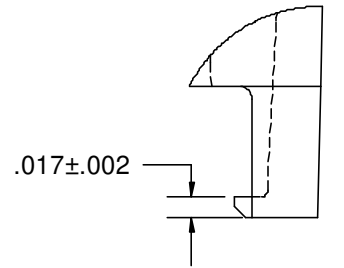
1.5 INCH - LB TORQUE = 8.5 LBS FORCE  
2.0 INCH - LB TORQUE = 11.4 LBS FORCE

FULL SIZE LID PACKAGE:

1.5 INCH - LB TORQUE = 8.3 LBS FORCE  
2.0 INCH - LB TORQUE = 11.1 LBS FORCE

3. REMOVE CLIP WITH REMOVAL TOOL P/N: 1542616-1.

4. RoHS COMPLIANT AND CERTIFIED.



Power	° C/W @ Ambient	° C/W @ 200 LFM	° C/W @ 400 LFM	° C/W @ 600 LFM
5 Watts	8.78	4.22	2.75	2.18
10 Watts	8.07	4.43	2.61	2.06
15 Watts	7.62	4.26	2.60	2.03

**CUSTOMER DRAWING**

SPECIFICATIONS ARE SUBJECT TO CHANGE WITHOUT NOTICE

ITEM	DESCRIPTION	QTY
1	MOUNTING CLIP	1
2	HEAT SINK	1
3	INTERFACE	1

**tyco** / Electronics    Attleboro Falls Massachusetts 02763

UNLESS OTHERWISE SPECIFIED TO LEF RANGES ARE:

.XX ± .  
.XXX ± .  
.XXXX ± .  
ANGLES ± °

DRAWN BY: E.TAO    DATE: 01/13/04

ENGINEER: S.DELPRETE    DATE: 01/13/04

FILENAME:    PROJECT:    SYSTEM:

MATERIAL: SEE NOTE

FINISH: SEE NOTE

DIMENSIONS ARE IN: INCHES    SCALE: 1.25:1

SIZE: A

TITLE: 21mm HEATSINK ASSEMBLY

PARTNO: 7-1542008-9    SHEET: 1 OF 1

DWG. NO. C-7-1542008-9    REV: B1

THIRD ANGLE PROJECTION