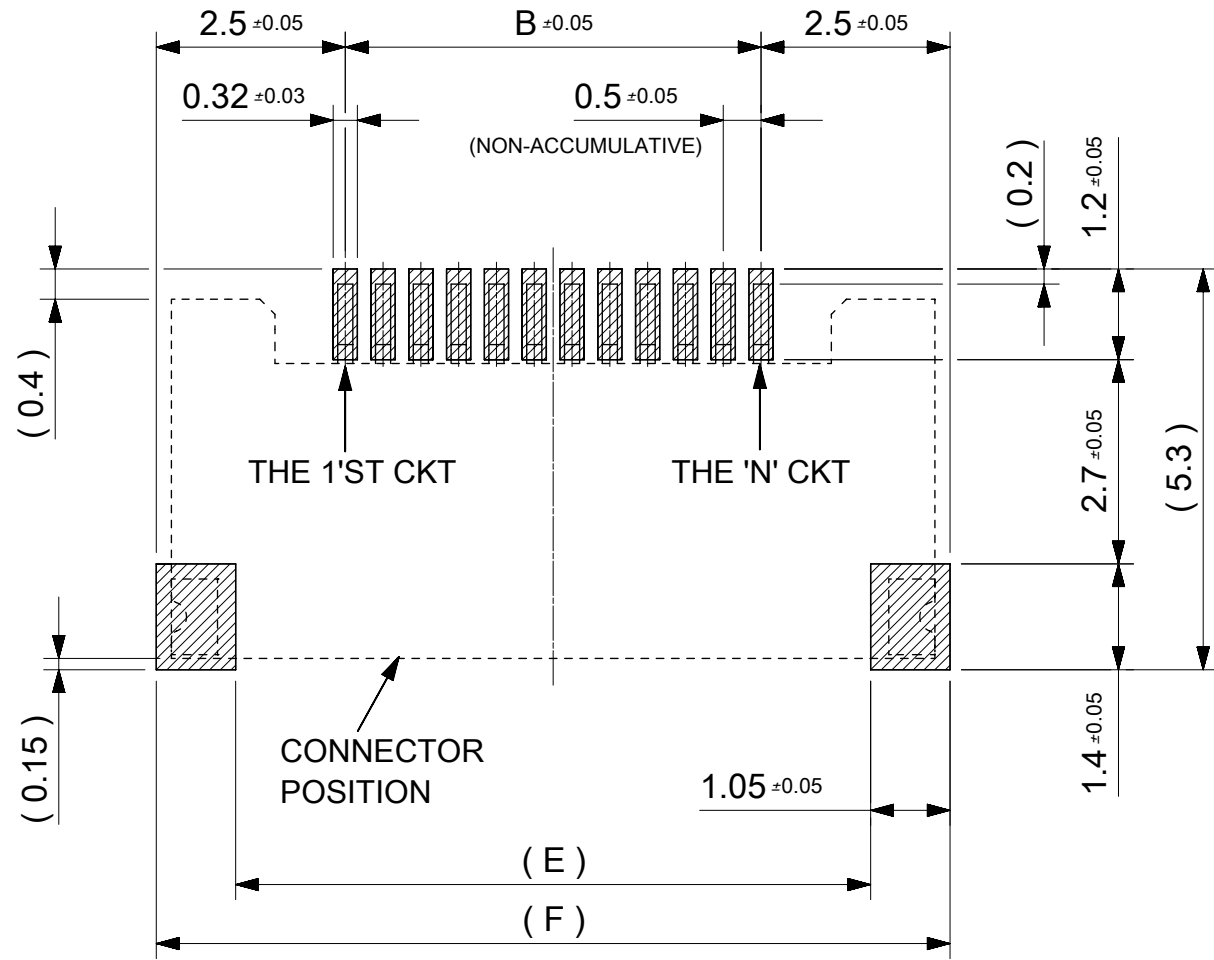


NOTES

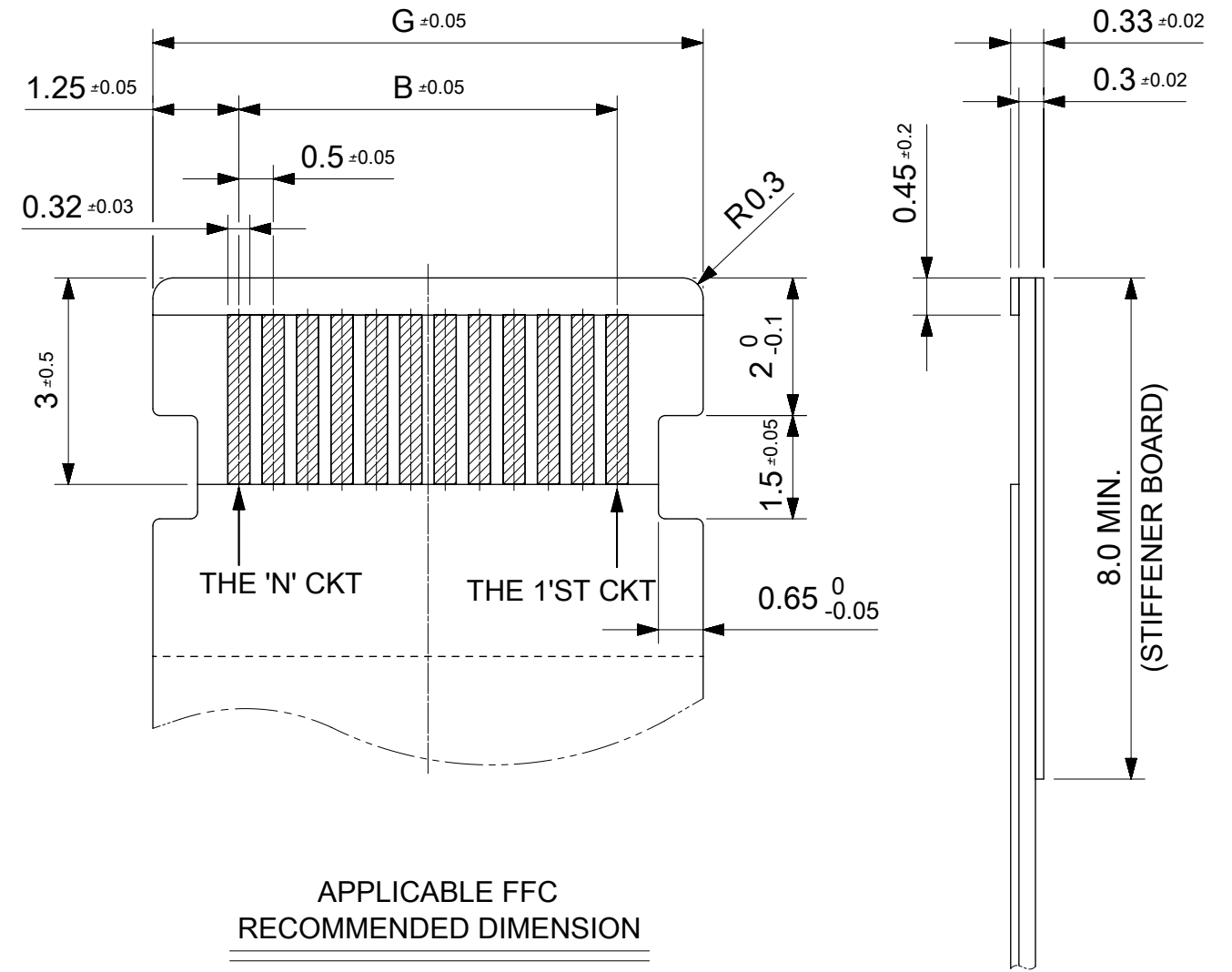
- MATERIAL**
 HOUSING: LCP
 ACTUATOR: GLASS FILLED, UL94V-0(NATURAL) PPS
 TERMINAL: GLASS F9ILLED, UL94V-0(BLACK) PHOSPHOR BRONZE
 FITTING NAIL: PHOSPHOR BRONZE
- PLATING**
 TERMINAL: SELECTIVE GOLD[Au] OVER NICKEL[Ni] PLATING.
 CONTACT AREA: GOLD[Au] 0.1 MICROMETER MIN. OVER NICKEL[Ni] 1.0~4.0 MICROMETER.(UNDER PLATING)
 SOLDER AREA: GOLD[Au] 0.05 MICROMETER MIN. OVER NICKEL[Ni] 1.0~4.0 MICROMETER.(UNDER PLATING)
 FITTING NAIL: TIN[Sn] OVER NICKEL[Ni] PLATING.
 SOLDER AREA: Tin[Sn] 2.5 MICROMETER MIN.
 OTHER AREA: Tin[Sn] 1.0 MICROMETER MIN. NICKEL[Ni] 1.0~4.0 MICROMETER (UNDER PLATING)
- PRODUCT SPECIFICATION**: 2024970120 (PS)
PACKING SPECIFICATION: 2024970120 (SPK)
- ACTUATOR IS CLOSED IN THE EMBOSSED PACKING
- COPLANARITY IS 0.1MAX.

SYMBOLS	THIS DRAWING CONTAINS INFORMATION THAT IS PROPRIETARY TO MOLEX ELECTRONIC TECHNOLOGIES, LLC AND SHOULD NOT BE USED WITHOUT WRITTEN PERMISSION		CURRENT REV DESC:		molex
	DIMENSION UNITS	SCALE			
▽ = 0	mm	10:1			0.5MM FFC CONNECTOR BACKFLIP ASS'Y H=2.0
▽ = 0	GENERAL TOLERANCES (UNLESS SPECIFIED)				
▽ = 0	ANGULAR TOL ± 1.0°				PRODUCT CUSTOMER DRAWING
▽ = 0	4 PLACES ±		EC NO: 174471		
▽ = 0	3 PLACES ±		DRWN: KYHWANG	2018/04/02	DOCUMENT NUMBER: 2024970120
▽ = 0	2 PLACES ± 0.05		CHK'D: YSKIM04	2018/04/09	
▽ = 0	1 PLACE ± 0.1		APPR: YSKIM04	2018/04/09	DOC PART: 001
▽ = 0	0 PLACES ± 0.15		INITIAL REVISION:		
■ = 0	DRAFT WHERE APPLICABLE MUST REMAIN WITHIN DIMENSIONS		DRWN: KYHWANG	2018/04/02	
▽ = 0	THIRD ANGLE PROJECTION		APPR: YSKIM04	2018/04/09	SHEET NUMBER: 1 OF 3
			DRAWING: A3-SIZE	SERIES: 202497	
			MATERIAL NUMBER: SEE TABLE	CUSTOMER: GENERAL	

11.2	6.5	9.05	9.88	9.4	11.5	9.0	2024970140	14
10.2	5.5	8.05	8.88	8.4	10.5	8.0	2024970120	12
A	B	C	D	E	F	G	ORDER NO.	CIRCUIT



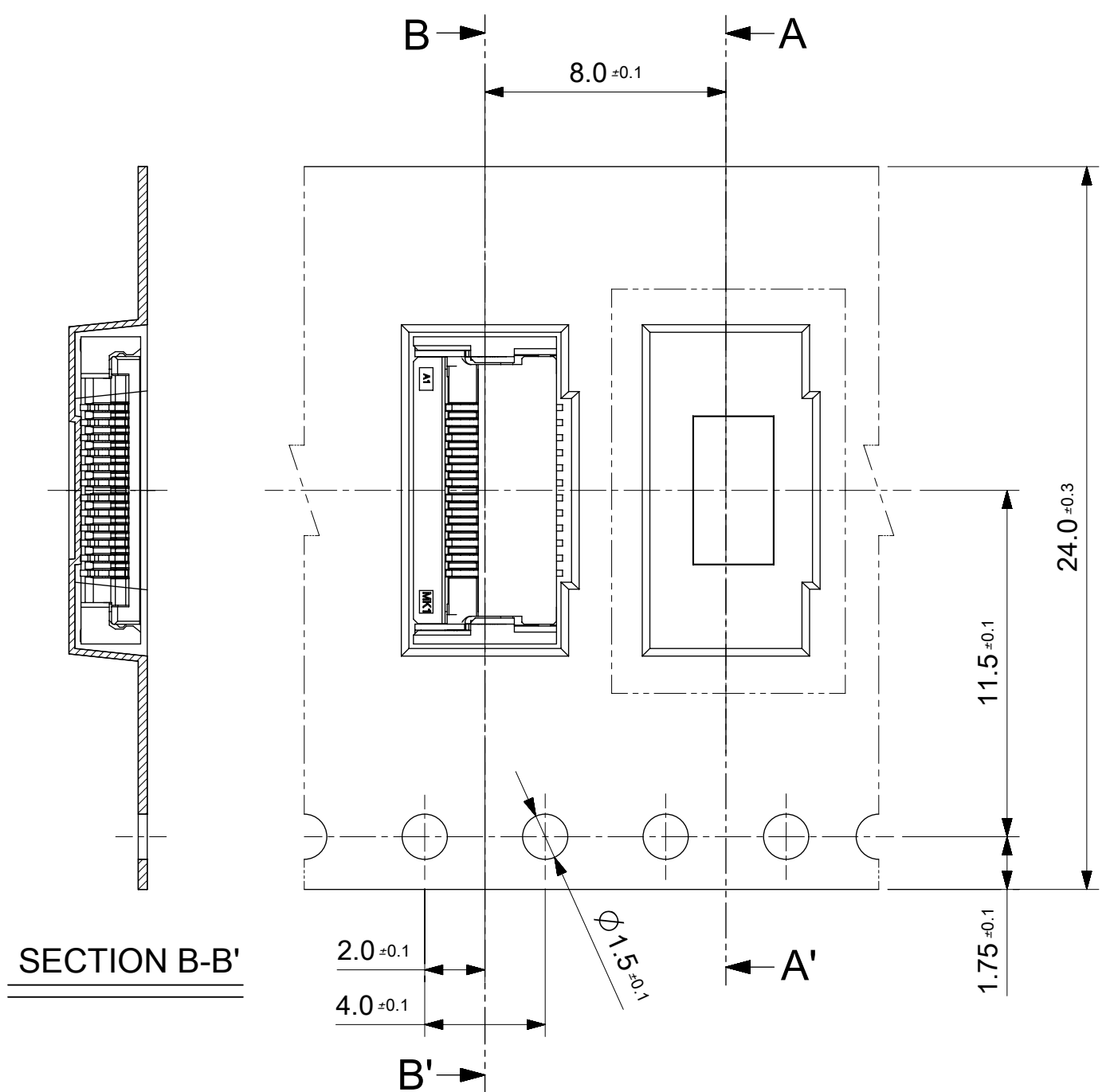
PCB BOARD PATTERN
DIMENSION (REF.)
(MOUNTING SIDE)



APPLICABLE FFC
RECOMMENDED DIMENSION

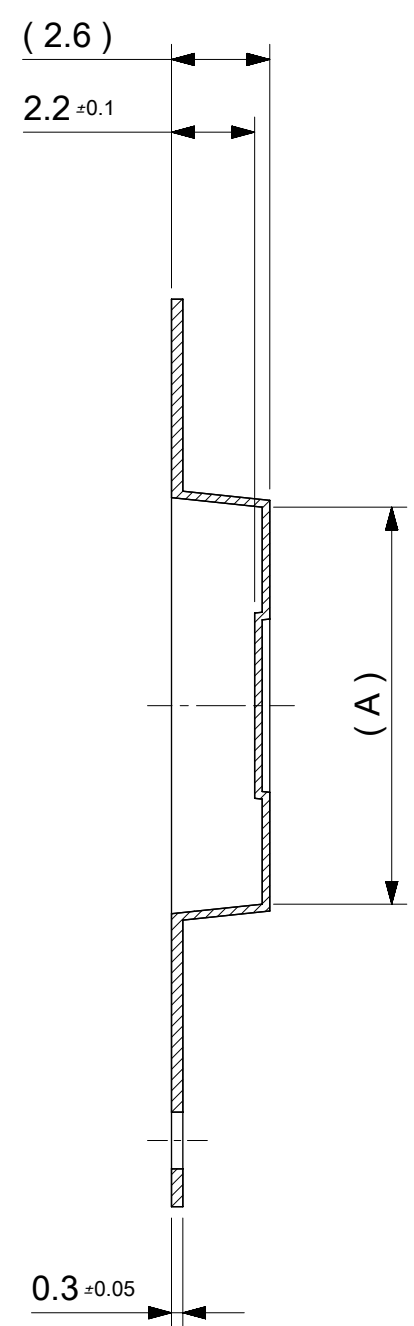
SYMBOLS	THIS DRAWING CONTAINS INFORMATION THAT IS PROPRIETARY TO MOLEX ELECTRONIC TECHNOLOGIES, LLC AND SHOULD NOT BE USED WITHOUT WRITTEN PERMISSION		CURRENT REV DESC:			molex			
	DIMENSION UNITS	SCALE							EC NO: 174471
▽ = 0	mm	10:1	DRWN: KYHWANG	2018/04/02					
▽ = 0	GENERAL TOLERANCES (UNLESS SPECIFIED)		CHK'D: YSKIM04	2018/04/09					
▽ = 0	ANGULAR TOL ± 1.0°		APPR: YSKIM04	2018/04/09					
▽ = 0	4 PLACES ±		INITIAL REVISION:			DOCUMENT NUMBER	DOC TYPE	DOC PART	REVISION
▽ = 0	3 PLACES ±		DRWN: KYHWANG	2018/04/02	2024970120	PSD	001	A1	
▽ = 0	2 PLACES ± 0.05		APPR: YSKIM04	2018/04/09					
▽ = 0	1 PLACE ± 0.1		MATERIAL NUMBER			CUSTOMER	SHEET NUMBER		
▽ = 0	0 PLACES ± 0.15		DRWN: KYHWANG	2018/04/02	SEE SHEET 1	GENERAL	2 OF 3		
▽ = 0	DRAFT WHERE APPLICABLE MUST REMAIN WITHIN DIMENSIONS		THIRD ANGLE PROJECTION	DRAWING	SERIES				
▽ = 0			THIRD ANGLE PROJECTION	A3-SIZE	202497				

PULL OUT DIRECTION



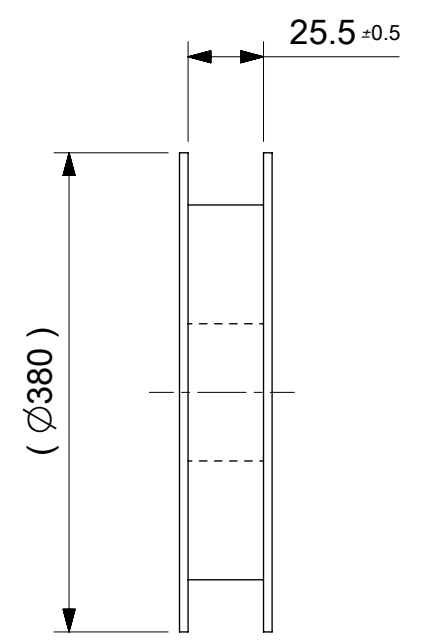
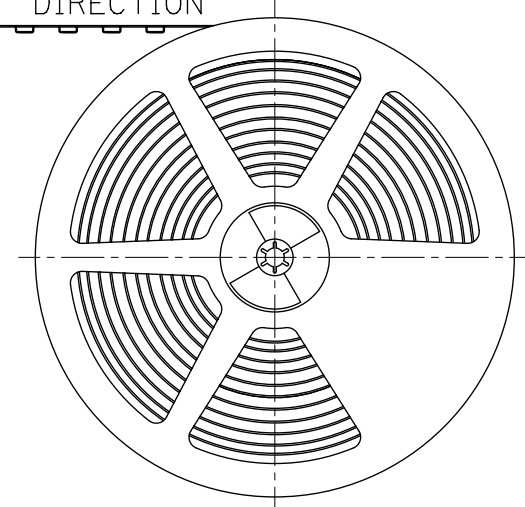
SECTION B-B'

24mm WIDTH CARRIER TAPE



SECTION A-A'

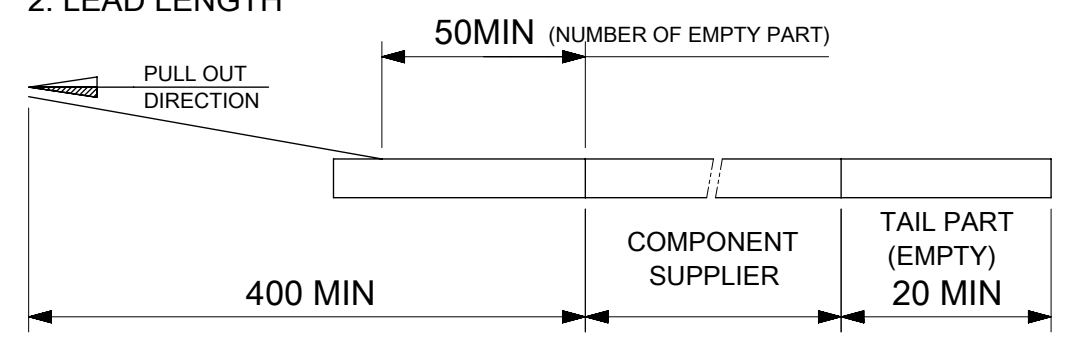
PULL OUT DIRECTION



PLASTIC BOBBIN

NOTE

- 1. QUANTITY OF CONNECTORS : 4500PCS/REEL
- 2. LEAD LENGTH



- 3. THIS PRODUCT IS HALOGEN FREE (LV.2)

11.5	2024970140	14
10.5	2024970120	12
A	PART NO.	CKT

SYMBOLS ▽ = 0 ▽ = 0 ▽ = 0 ▽ = 0 ▽ = 0 ▽ = 0 ▽ = 0 ▽ = 0 ▽ = 0 ▽ = 0 ▽ = 0 ▽ = 0 ▽ = 0	THIS DRAWING CONTAINS INFORMATION THAT IS PROPRIETARY TO MOLEX ELECTRONIC TECHNOLOGIES, LLC AND SHOULD NOT BE USED WITHOUT WRITTEN PERMISSION DIMENSION UNITS: mm SCALE: 5:1 GENERAL TOLERANCES (UNLESS SPECIFIED) ANGULAR TOL ± 1.0° 4 PLACES ± 3 PLACES ± 2 PLACES ± 0.05 1 PLACE ± 0.1 0 PLACES ± 0.15 DRAFT WHERE APPLICABLE MUST REMAIN WITHIN DIMENSIONS	CURRENT REV DESC: EC NO: 174471 DRWN: KYHWANG 2018/04/02 CHK'D: YSKIM04 2018/04/09 APPR: YSKIM04 2018/04/09 INITIAL REVISION: DRWN: KYHWANG 2018/04/02 APPR: YSKIM04 2018/04/09	molex 0.5MM FFC CONNECTOR BACKFLIP ASS'Y H=2.0 PRODUCT CUSTOMER DRAWING
	THIRD ANGLE PROJECTION DRAWING: A3-SIZE SERIES: 202497 MATERIAL NUMBER: SEE SHEET 1 CUSTOMER: GENERAL SHEET NUMBER: 3 OF 3	DOCUMENT NUMBER: 2024970120 DOC TYPE: PSD DOC PART: 001 REVISION: A1	