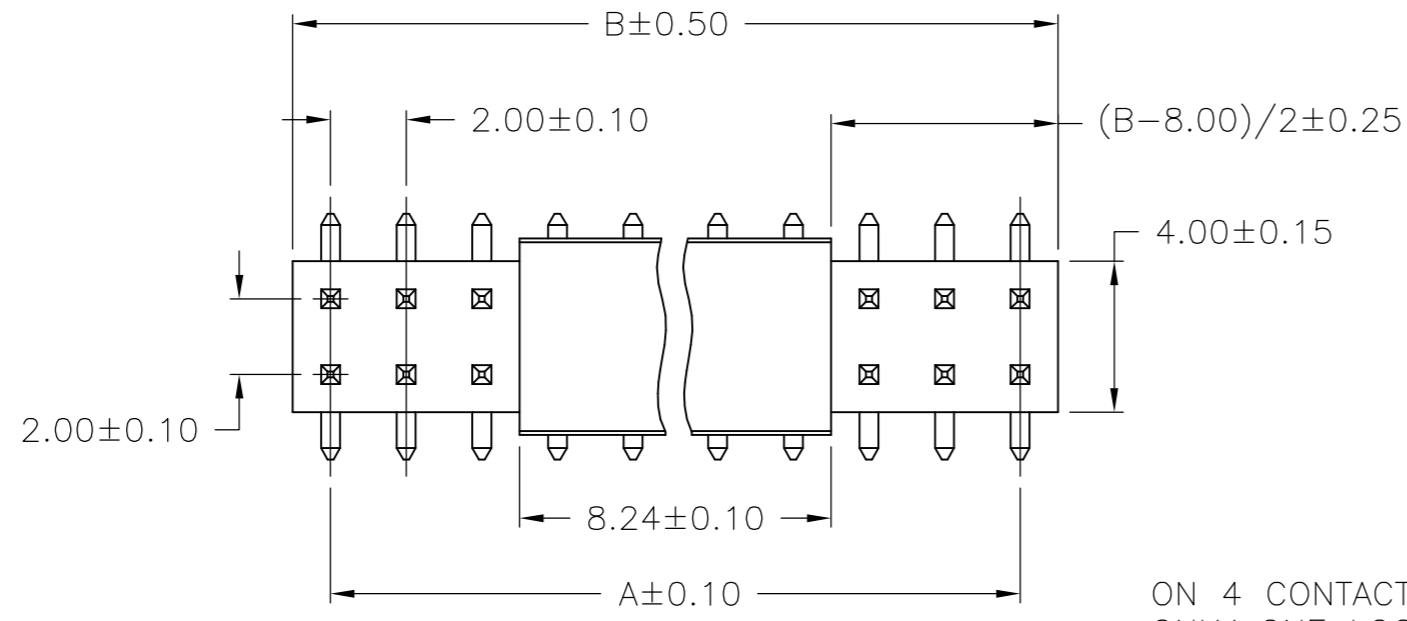


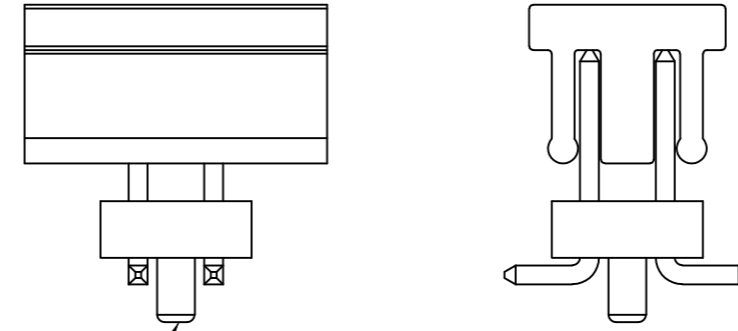
THIS DRAWING IS UNPUBLISHED. RELEASED FOR PUBLICATION
 © COPYRIGHT BY TYCO ELECTRONICS CORPORATION. ALL INTERNATIONAL RIGHTS RESERVED.

LOC		DIST		REVISIONS			
P	LTR	DESCRIPTION		DATE	DWN	APVD	
-	-	A	RELEASED	04SEP09	DH	DB	

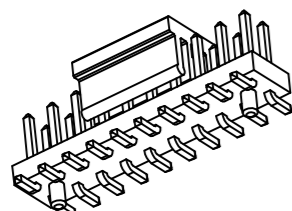
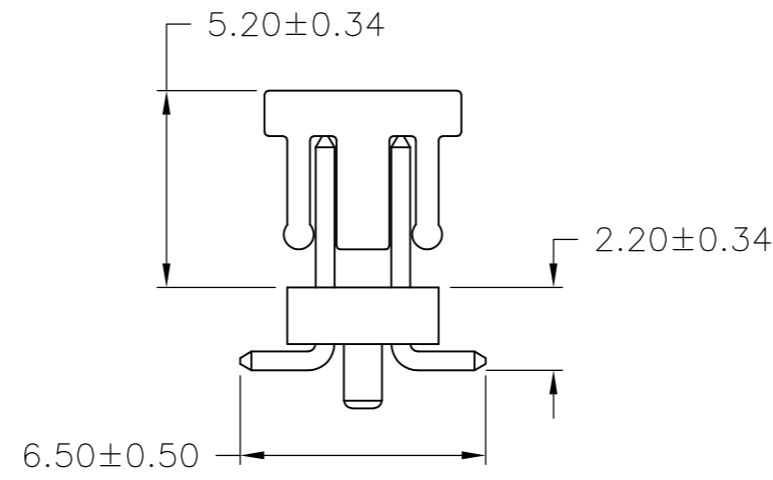
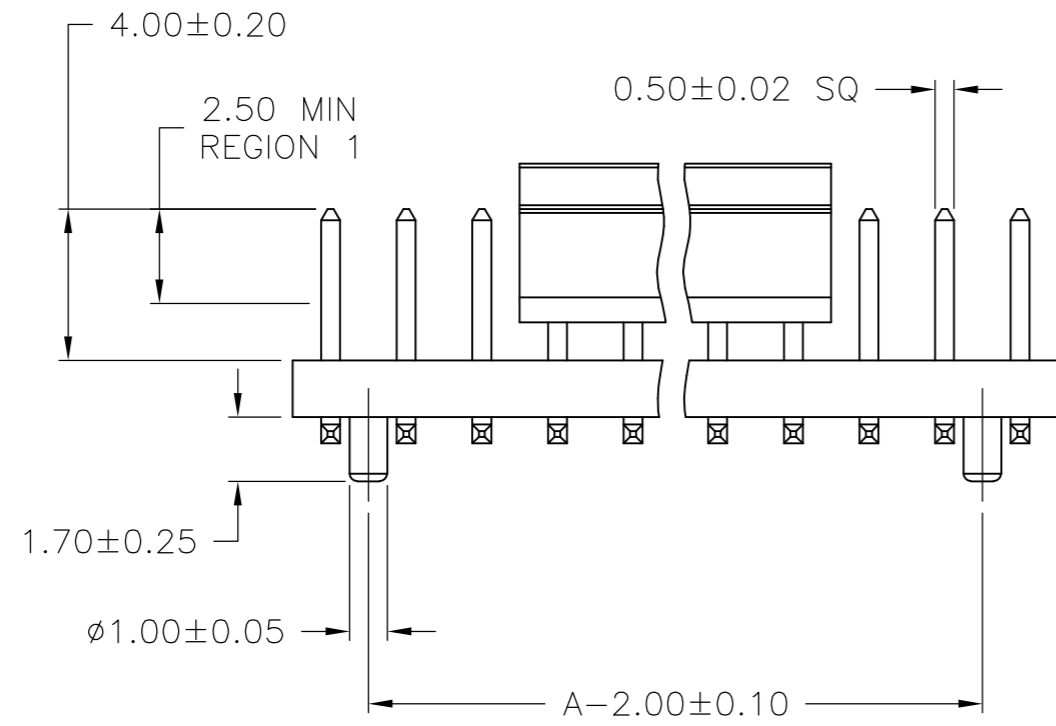
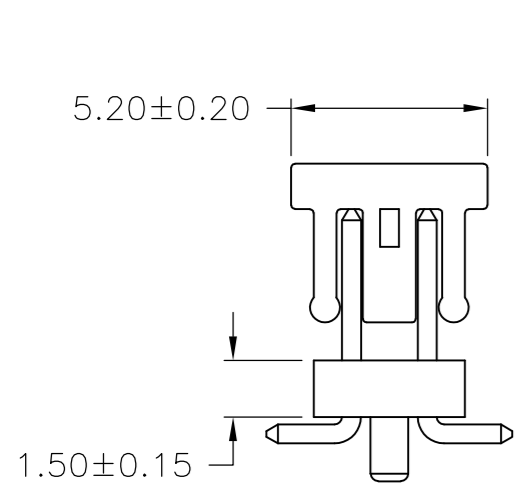
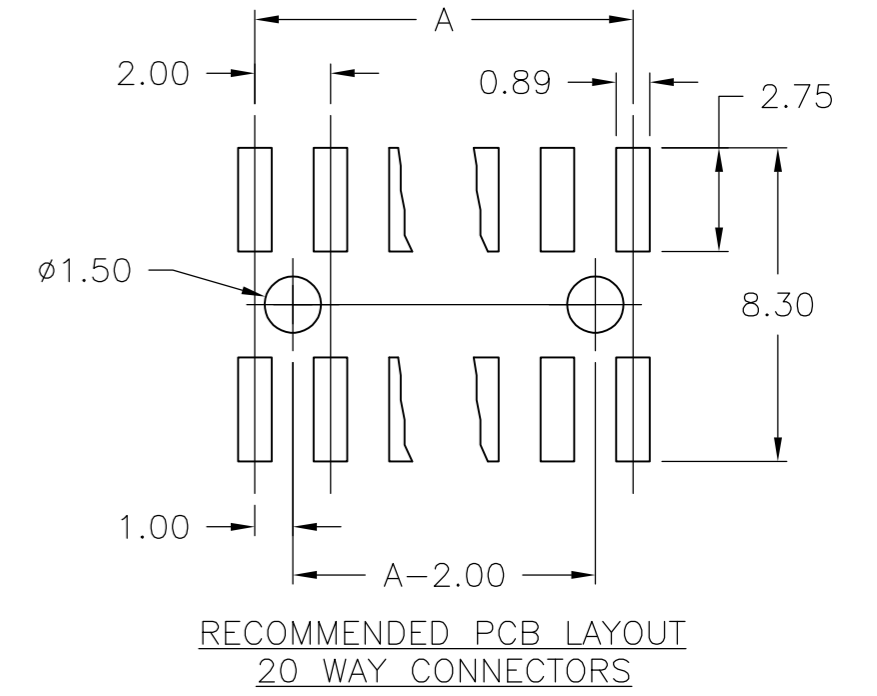
1 PACKAGED PER EIA-481 SPECIFICATION.



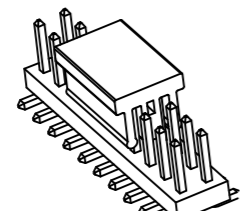
NOTE: ON POSITION SIZES 4 THRU 8, CAP LENGTH WILL BE ≥ TO PART LENGTH



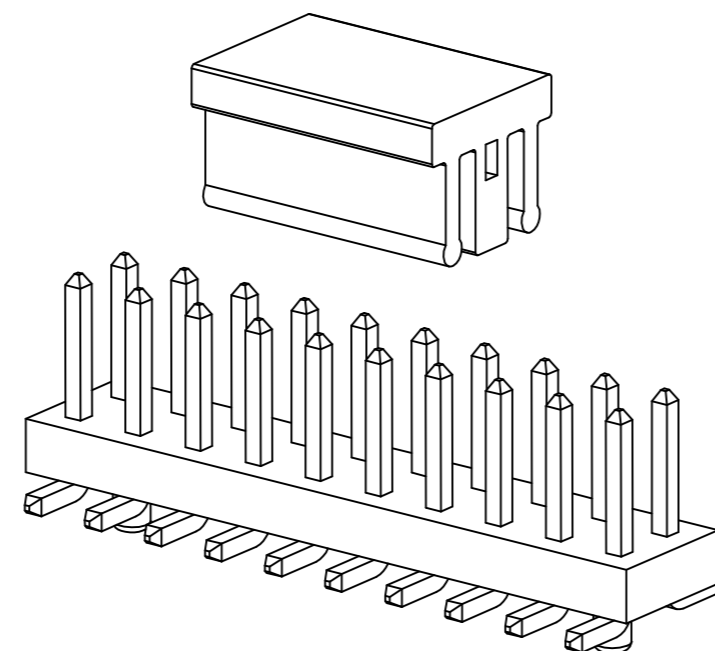
ON 4 CONTACT CONNECTOR ONLY ONE LOCATION PEG



SCALE 2:1



SCALE 2:1



SCALE 5:1

20.00	18.00	44	1-2110423-0	20	30μ" Au	1-2110424-0
DIM B	DIM A	POCKET TAPE WIDTH	CONNECTOR PART NUMBER	NO. OF CONTACTS	FINISH THICKNESS	PART NUMBER

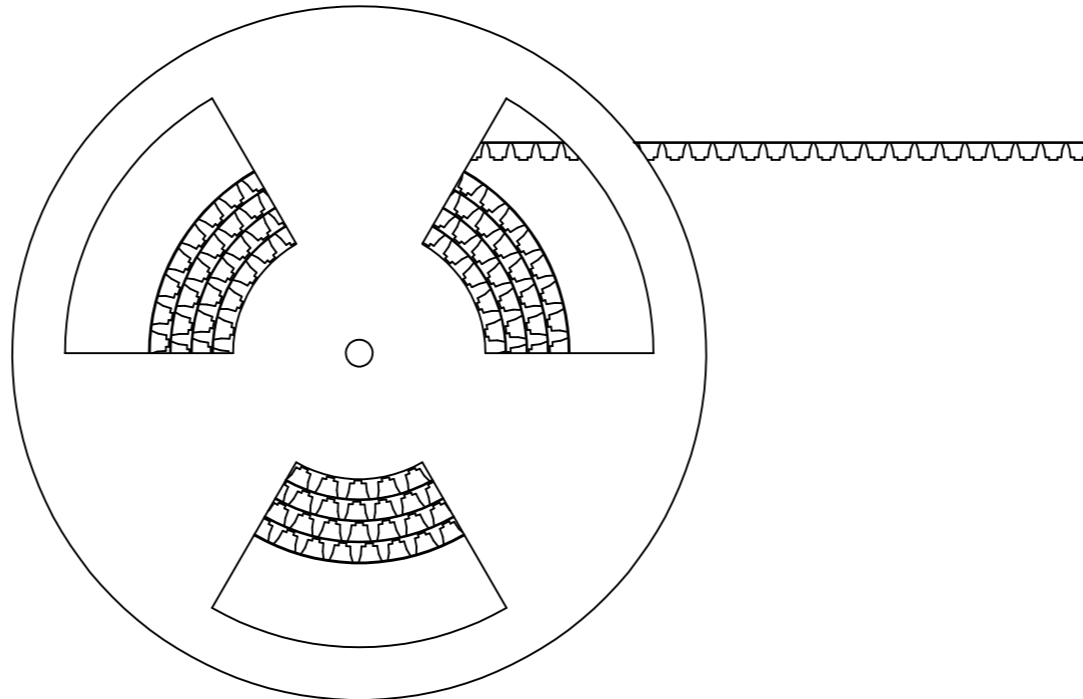
THIS DRAWING IS A CONTROLLED DOCUMENT.		DWN D. HUMBERT 04SEP2009	Tyco Electronics Corporation Harrisburg, PA 17105-3608			
DIMENSIONS: mm		CHK D. BRATINA 04SEP2009	NAME AMP MODU PIN VERT MOUNT SMC TAPE AND REEL WITH PEG			
TOLERANCES UNLESS OTHERWISE SPECIFIED:		APVD D. BRATINA 04SEP2009	PRODUCT SPEC			
0 PLC ± -		APPLICATION SPEC				
1 PLC ± -		WEIGHT				
2 PLC ± -		SIZE A2				
3 PLC ± -		CAGE CODE 00779				
4 PLC ± -		DRAWING NO C=2110424				
ANGLES ± -		RESTRICTED TO				
FINISH		SCALE 5:1				
MATERIAL		SHEET 1 of 2				
-		REV A				
CUSTOMER DRAWING						

2110424

THIS DRAWING IS UNPUBLISHED. RELEASED FOR PUBLICATION
 © COPYRIGHT BY TYCO ELECTRONICS CORPORATION. ALL INTERNATIONAL RIGHTS RESERVED.

LOC		DIST		REVISIONS			
P	LTR	DESCRIPTION	DATE	DWN	APVD		
-	-	SEE SHEET 1	-	-	-		

REELING ORIENTATION
 20 WAY CONNECTORS



THIS DRAWING IS A CONTROLLED DOCUMENT.		DWN	04SEP2009	Tyco Electronics Corporation Harrisburg, PA 17105-3608	
DIMENSIONS: mm		CHK	04SEP2009		
		APVD	04SEP2009		
TOLERANCES UNLESS OTHERWISE SPECIFIED: 0 PLC ± - 1 PLC ± - 2 PLC ± - 3 PLC ± - 4 PLC ± - ANGLES ± -		PRODUCT SPEC	-		
MATERIAL	FINISH	WEIGHT	-	NAME	AMP MODU PIN VERT MOUNT SMC TAPE AND REEL WITH PEG
-	-	CUSTOMER DRAWING	SCALE 5:1	SIZE A2	CAGE CODE 00779
			SHEET 2 OF 2	DRAWING NO C=2110424	RESTRICTED TO -
			REV A		

2110424