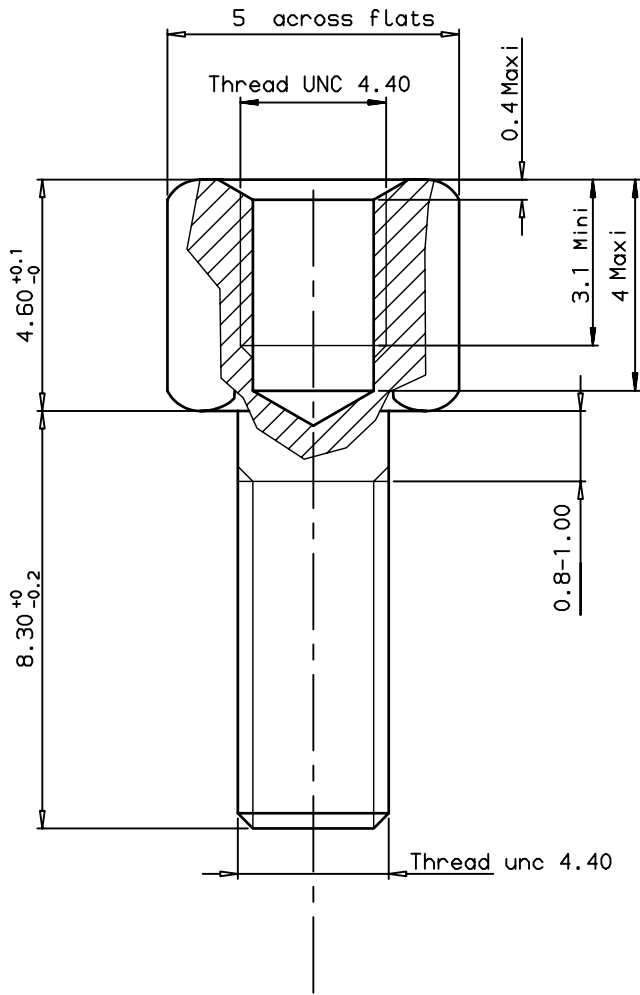


TECHNICAL CHARACTERISTICS :

Female screw locks: steel ,tin plated .  
 Packaging : per 1000 pieces .



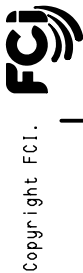
Part number **86551128TLF**

NOTE:RoHS INFORMATIONS  
 - The "LF" products meet European union Directives and other country regulations as described in 65-22-008.  
 - Plating Sn (pure bright ) over copper  
 - Packaging spec: see 65-14-920

European Views

www.fciconnect.com		surface ISO 1302 <input checked="" type="checkbox"/>	tolerance std ISO 406 ISO 1101	projection 	mm
TOLERANCES UNLESS OTHERWISE SPECIFIED					
Dr	JOUBERT	1995/06/27	ANGULAR	0.X ±0.1	size A3 Scale 10
Eng	PESSON	1995/06/27	LINEAR	0.XX ±0.1	
Chr	LEGARE	1995/06/27	0.XX' ±2'	0.XXX ±0.1	ECN LS09-0006
Appr	LEGARE	1995/06/27	Product family	D-SUB	Spec ref -
		title FEMALE SCREW LOCKS		dwg no	Rev.
		D SUB ACCESSORIES		C01-8655-0616	E
		catalog no		CUSTOMER	sheet 1 of 1

rev	ecn no	dr	date
A	-	JOU	1995/06/27
B	LS05-0026	MPE	2005/07/08
C	LS06-0097	LGO	2006/07/28
D	LS06-0120	PCR	2006/08/08
E	LS09-0006	PCR	2009/01/08
-	-	-	-
-	-	-	-



Copyright FCj.