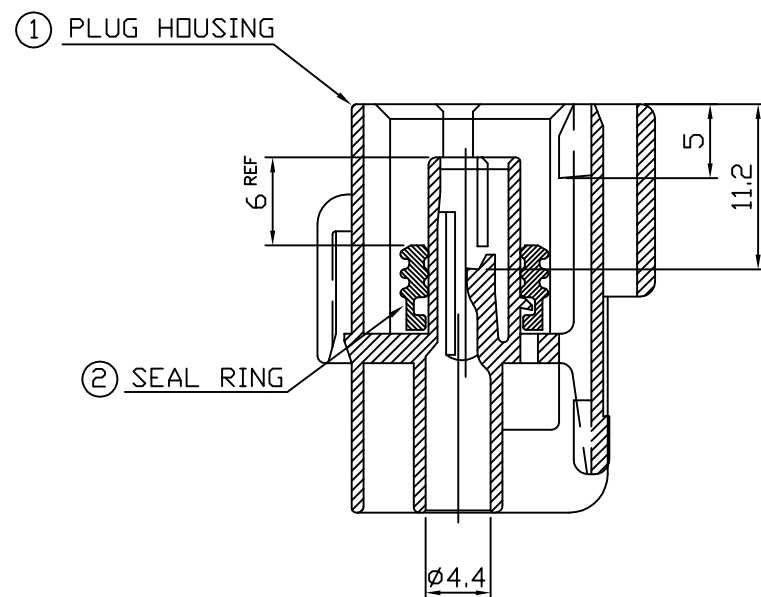
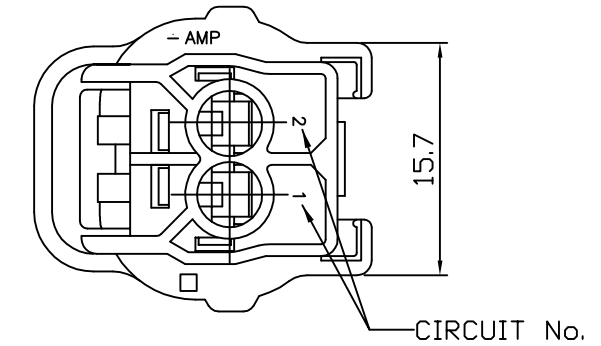
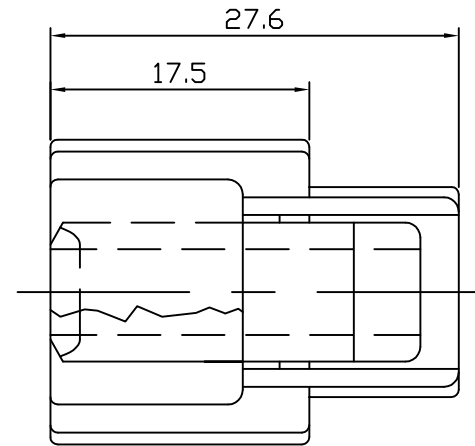
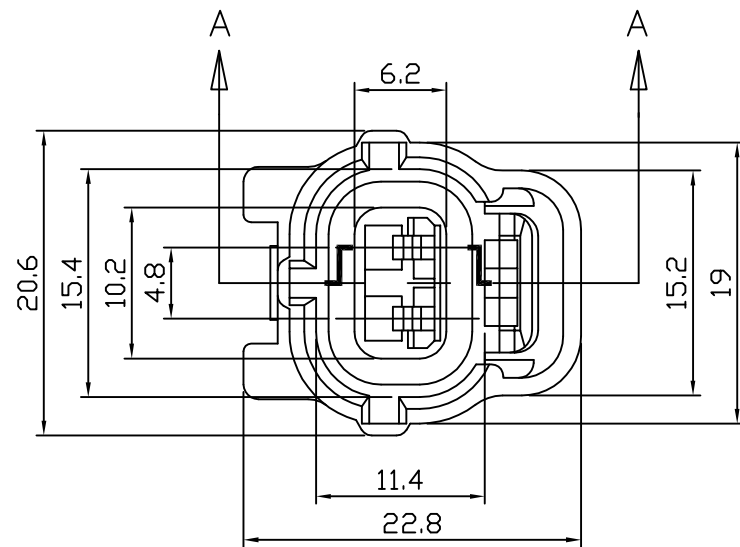


THIS DRAWING IS UNPUBLISHED. RELEASED FOR PUBLICATION
 © COPYRIGHT BY TYCO ELECTRONICS CORPORATION. ALL RIGHTS RESERVED.

REVISIONS

P	LTR	DESCRIPTION	DATE	DWN	APVD
	E1	REVISED (ECR-08-001967)	17.SEP.'08	KT	HG
	E2	REVISED (ECR-09-017829)	10.AUG.'09	KT	HG
	F	REVISED (ECR-11-008844)	28.APR.'11	WY	HG



SECTION A-A

NOTE;

- FOR CAP HOUSING P/N 174354
- THIS PART IS COMPOSED OF PLUG HOUSING P/N 368254 AND SEAL RING P/N 917370, 368882
- THIS PART MUST BE USED WITH DOUBLE LOCK PLATE P/N 174353
- APPLICABLE CONTACT P/N 171630, 171662

NO	②	COLOR	MATERIAL	DESCRIPTION	QTY
②	BROWN	SILICON	SEAL RING	1	
②	BLACK	SILICON	SEAL RING	1	1
①	GRAY	PBT	2P PLUG HOUSING	1	
①	BLACK	PBT	2P PLUG HOUSING	1	1

<small>THIS DRAWING IS A CONTROLLED DOCUMENT FOR TYCO ELECTRONICS CORPORATION IT IS SUBJECT TO CHANGE AND THE CONTROLLING ENGINEERING ORGANIZATION SHOULD BE CONTACTED FOR THE LATEST REVISION.</small>		DWN WY JANG CHK KT LIM APVD HG CHD PRODUCT SPEC 108-61054 APPLICATION SPEC 114-5082 WEIGHT 5.2g			
DIMENSIONS: MM 		TOLERANCES UNLESS OTHERWISE SPECIFIED: 0 <XX<10 ± 0.2 10<XX<30 ± 0.25 30<XX ± 0.3 ANGLES ± 3°		NAME ECONOSEAL J-MARKII(+) CONNECTOR 2 POS. PLUG HOUSING	
MATERIAL SEE TABLE		FINISH		SIZE CAGE CODE DRAWING NO RESTRICTED TO A3 00779 C-368261	
CUSTOMER DRAWING				SCALE 2/1 SHEET 1 OF 1 REV F	