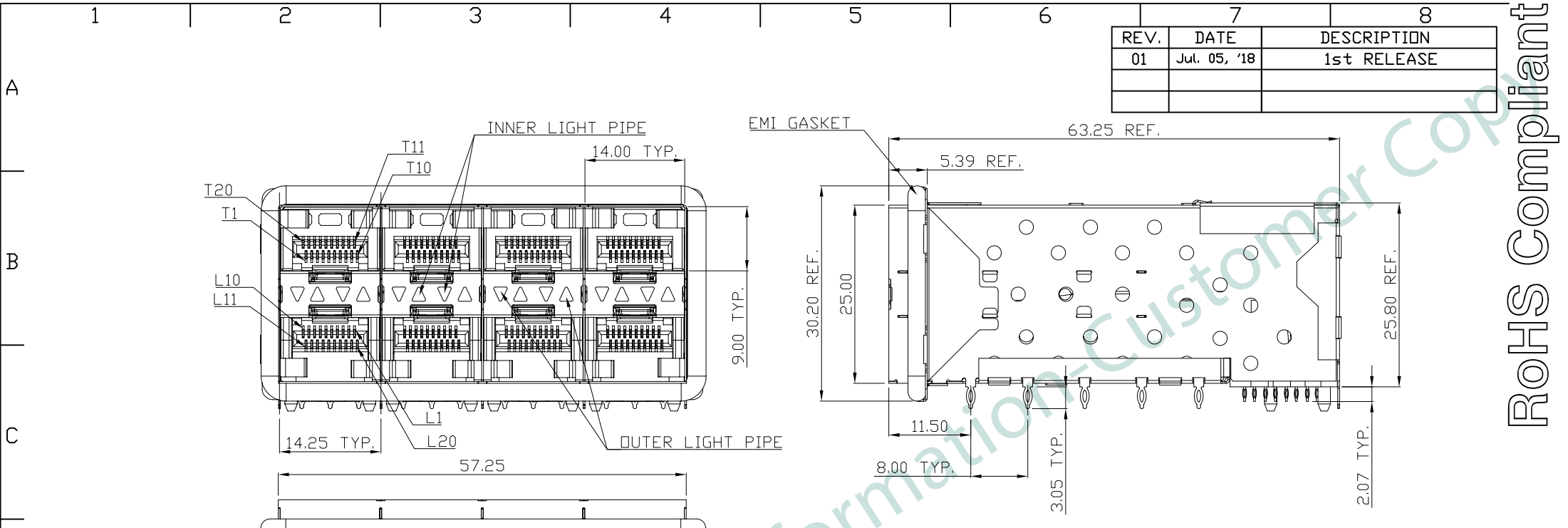
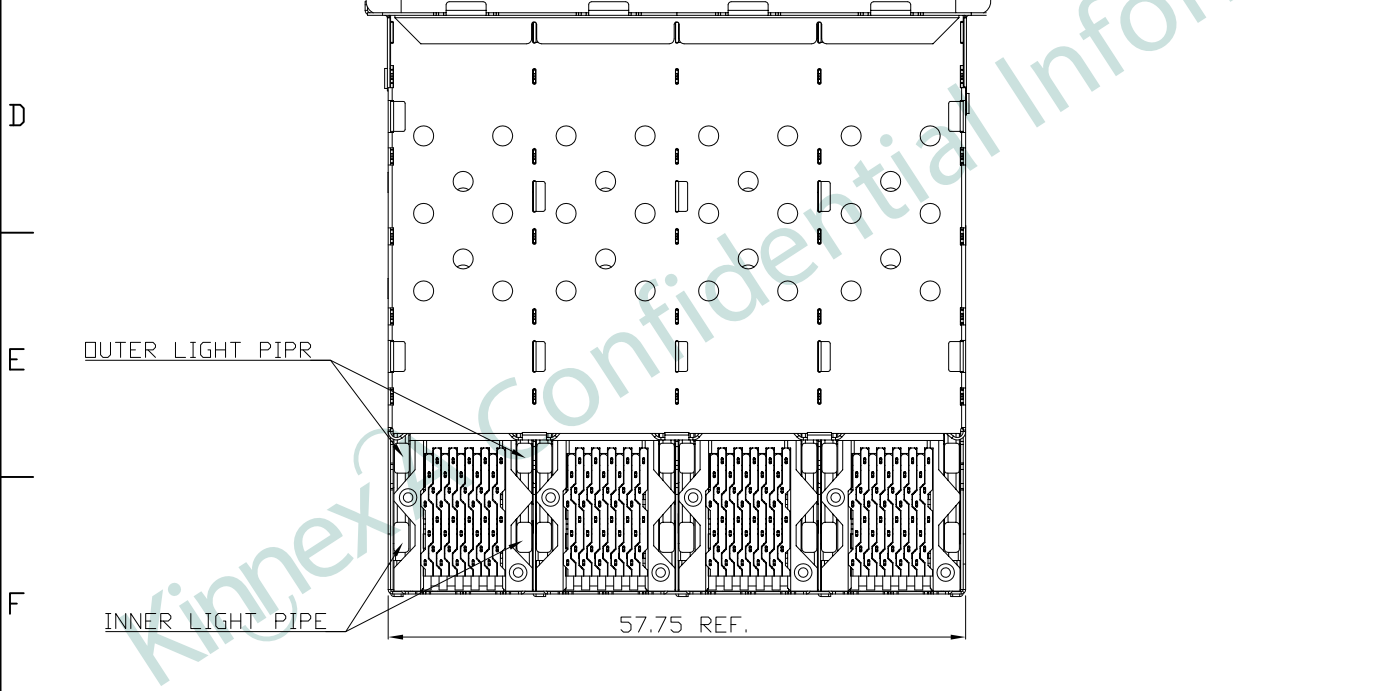


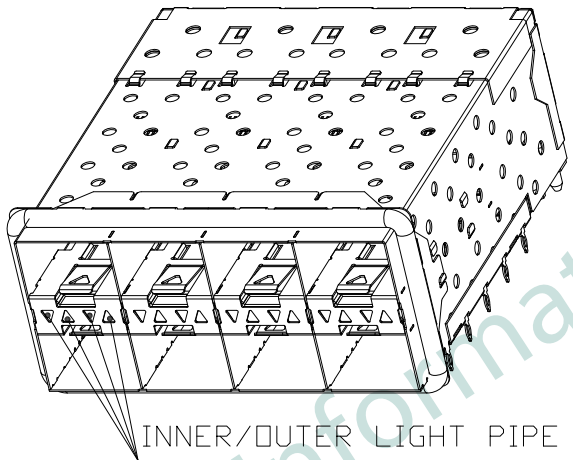
REV.	DATE	DESCRIPTION
01	Jul. 05, '18	1st RELEASE



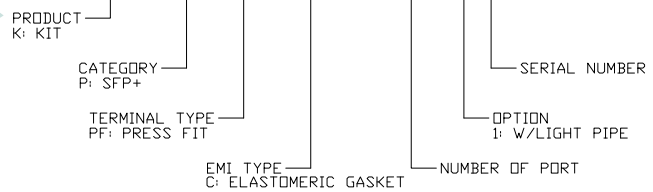
- NOTES:
- MATERIAL:
 CAGE: COPPER ALLOY, THICKNESS: 0.25mm;
 CONNECTOR HOUSING: GLASS FILLED THERMOPLASTIC, UL 94V-0 COLOR: BLACK
 TERMINALS: PHOSPHOR BRONZE
 LIGHT PIPE: POLYCARBONATE, CLEAR, UL 94V-0.
 LIGHT PIPE HOUSING: PA46 BLACK, UL 94V-0.
 - FINISH:
 TERMINALS CONTACT AREA: PLATED-GOLD;
 SOLDER TERMINAL AREA: PLATED-TIN.
 - UNSPECIFIED TOLERANCE: .XXX ±0.10
 .XX ±0.25

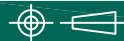


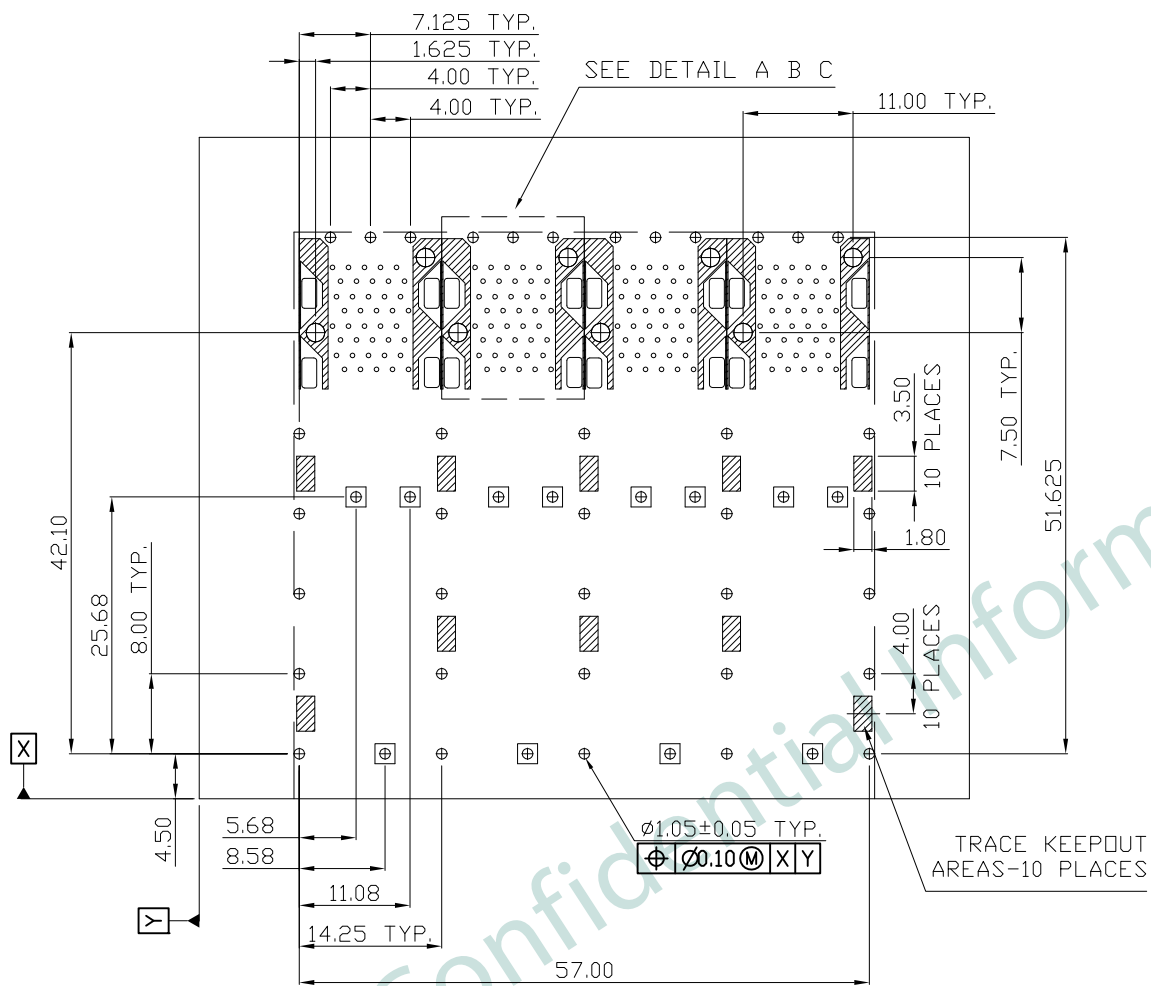
PART NO		KSFP-K-PPFC-2411		
TITLE	SFP+ 2X4 CAGE + CONNECTOR, ELASTOMERIC GASKET, W/LIGHT PIPE, PRESS FIT TYPE			
REV : 01				
UNIT	DRAWN	CHKD	DATE	SHEET
mm[inch]	CINDY	VINCENT	Jul. 05, '18	1 of 4



KSFP-K-PPFC-2411

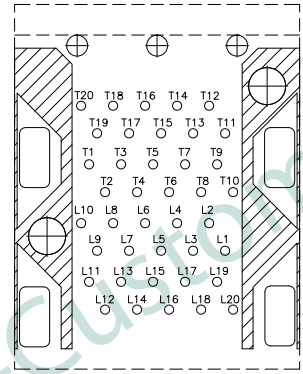


 PART NO		KSFP-K-PPFC-2411		
TITLE	SFP+ 2X4 CAGE + CONNECTOR, ELASTOMERIC GASKET, W/LIGHT PIPE, PRESS FIT TYPE			
REV : 01				
UNIT	DRAWN	CHKD	DATE	SHEET
mm[inch]	CINDY	VINCENT	Jul. 05, '18	2 of 4

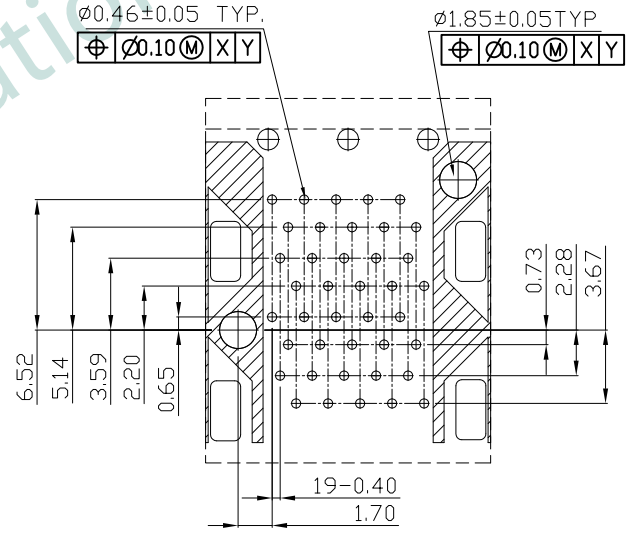


RECOMMENDED PCB LAYOUT AND PCB TOLERANCE ±0.05

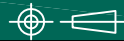
NOTE:
RECOMMENDED PCB T=2.36mm (MINIMUM PCB T=1.5mm)

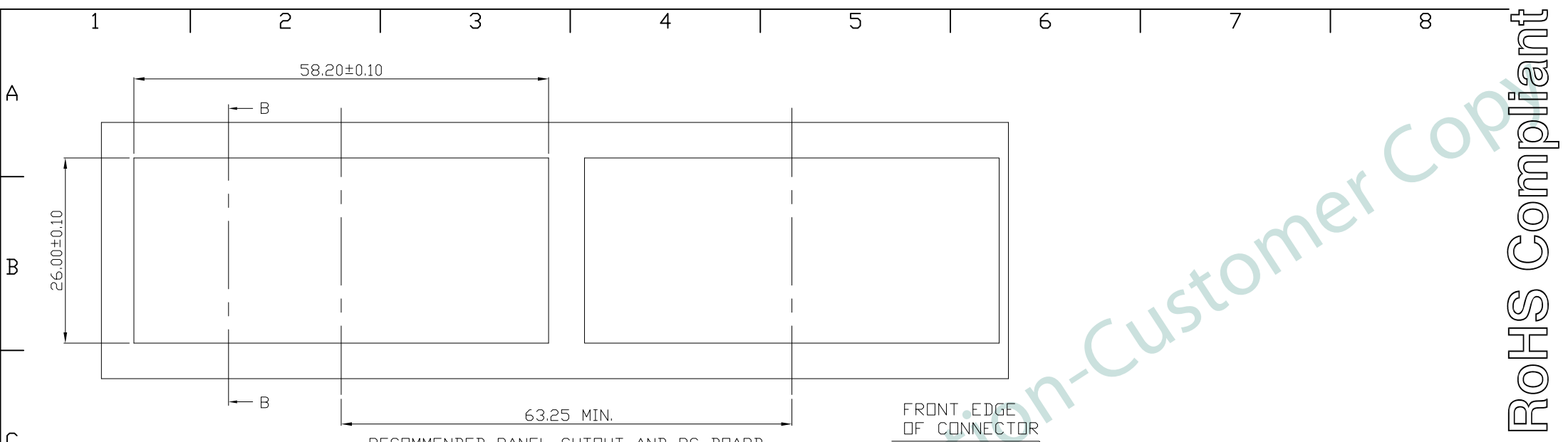


DETAIL A
SCALE 2:1



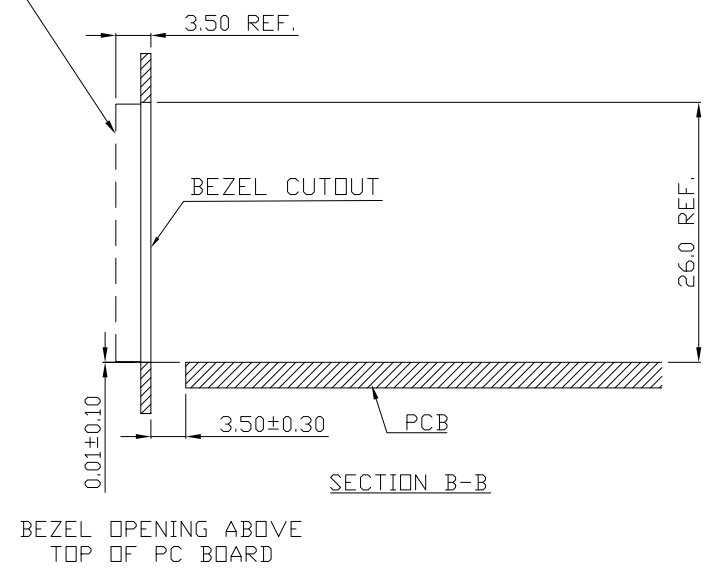
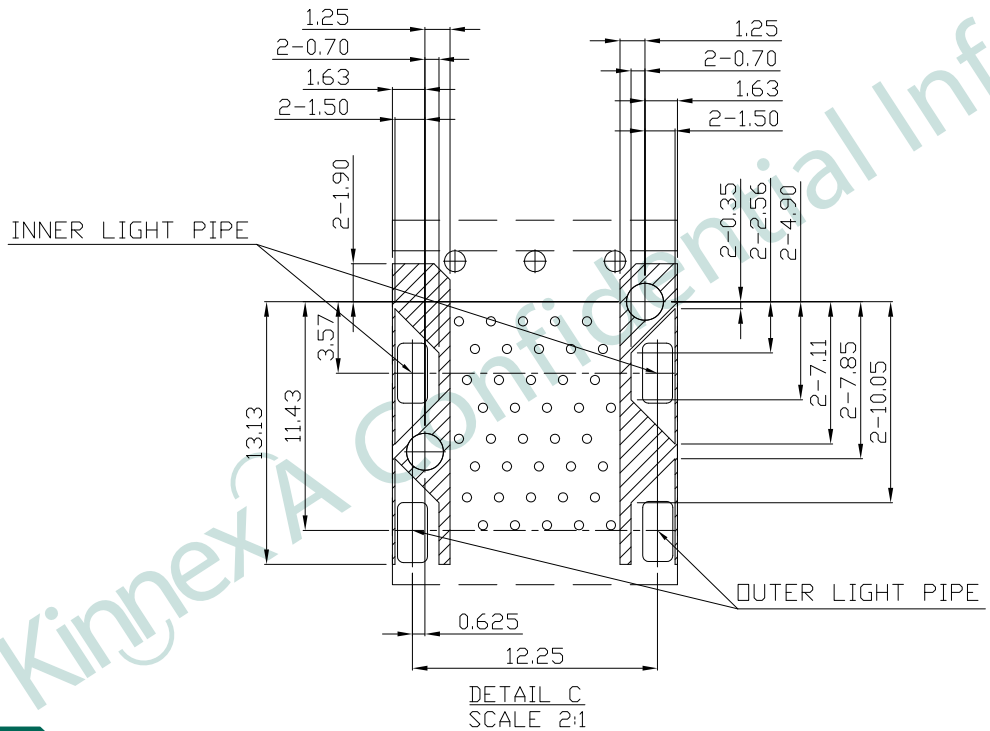
DETAIL B
SCALE 2:1

 PART NO KSFP-K-PPFC-2411	
TITLE	SFP+ 2X4 CAGE + CONNECTOR, ELASTOMERIC GASKET, W/LIGHT PIPE, PRESS FIT TYPE
REV : 01	
UNIT	DRAWN CHKD DATE SHEET
mm[inch]	CINDY VINCENT Jul. 05, '18 3 of 4



RECOMMENDED PANEL CUTOUT AND PCB BOARD
PANEL POSITION AND T=0.8~2.6mm

FRONT EDGE
OF CONNECTOR



PART NO		KSFP-K-PPFC-2411		
TITLE	SFP+ 2X4 CAGE + CONNECTOR, ELASTOMERIC GASKET, W/LIGHT PIPE, PRESS FIT TYPE			
REV : 01				
UNIT	DRAWN	CHKD	DATE	SHEET
mm[inch]	CINDY	VINCENT	Jul. 05, '18	4 of 4