

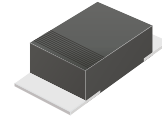
## ACDBMT140-HF Thru. ACDBMT1200-HF

Reverse Voltage: 40 to 200 Volts

Forward Current: 1.0 Amp

RoHS Device

Halogen Free

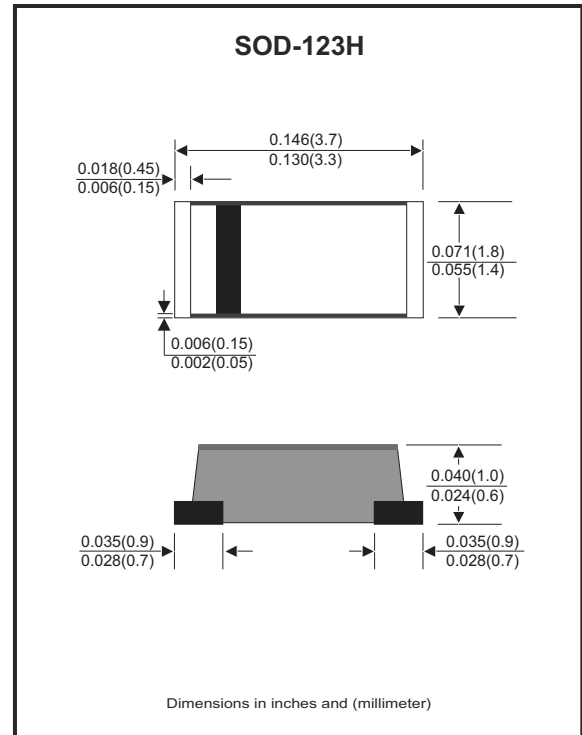


### Features

- Excellent power dissipation offers better reverse leakage current and thermal resistance.
- Low profile surface mounted application in order to optimize board space.
- Low power loss, high efficiency.
- High current capability, low forward voltage drop.
- High surge capability.
- Guarding for overvoltage protection.
- Ultra high-speed switching.
- Silicon epitaxial planar chip, metal silicon junction.
- Lead-free part meets environmental standards of MIL-STD-19500/228
- Comply with AEC-Q101.

### Mechanical data

- Epoxy: UL94-V0 rated flame retardant.
- Case: Molded plastic, SOD-123H/MINI SMA
- Terminals: Solderable per MIL-STD-750, method 2026.
- Polarity: Indicated by cathode band.
- Mounting Position: any
- Weight: 0.011 grams approx.



### Maximum Ratings and Electrical Characteristics (at T<sub>A</sub>=25°C unless otherwise noted)

Parameter	Symbol	ACDBMT 140-HF	ACDBMT 160-HF	ACDBMT 1100-HF	ACDBMT 1150-HF	ACDBMT 1200-HF	Units
Repetitive peak reverse voltage	V <sub>RRM</sub>	40	60	100	150	200	V
RMS voltage	V <sub>RMS</sub>	28	42	70	105	140	V
Continuous reverse voltage	V <sub>R</sub>	40	60	100	150	200	V
Max. forward voltage @I <sub>F</sub> =1.0A	V <sub>F</sub>	0.50	0.70	0.85	0.90	0.92	V
Operating Temperature	T <sub>J</sub>	-55 to +125	-55 to +150				°C

Parameter	Conditions	Symbol	MIN.	TYP.	MAX.	Units
Forward rectified current	see Fig.1	I <sub>O</sub>			1.0	A
Forward surge current	8.3ms single half sine-wave superimposed on rate load (JEDEC method)	I <sub>FSM</sub>			30	A
Reverse Current	V <sub>R</sub> =V <sub>RRM</sub> T <sub>J</sub> =25°C	I <sub>R</sub>			0.5	mA
	V <sub>R</sub> =V <sub>RRM</sub> T <sub>J</sub> =100°C	I <sub>R</sub>			10	mA
Thermal resistance	Junction to case	R <sub>θJC</sub>		40		°C/W
Diode Junction capacitance	f=1MHz and applied 4V DC reverse Voltage	C <sub>J</sub>		120		pF
Storage temperature		T <sub>STG</sub>	-65		+175	°C

Company reserves the right to improve product design , functions and reliability without notice.

REV: A

## Rating and Characteristic Curves (ACDBMT140-HF Thru. ACDBMT1200-HF)

Fig.1 - Typical Forward Current Derating Curve

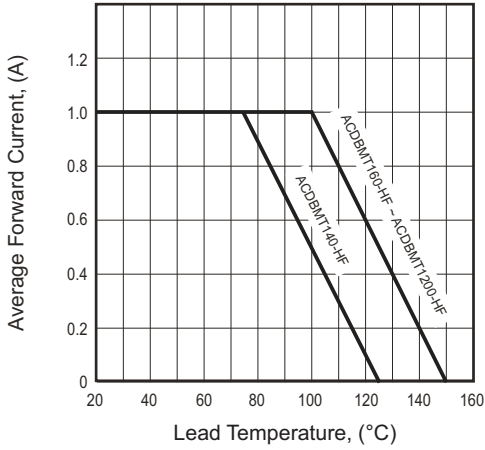


Fig.2 - Typical Forward Characteristics

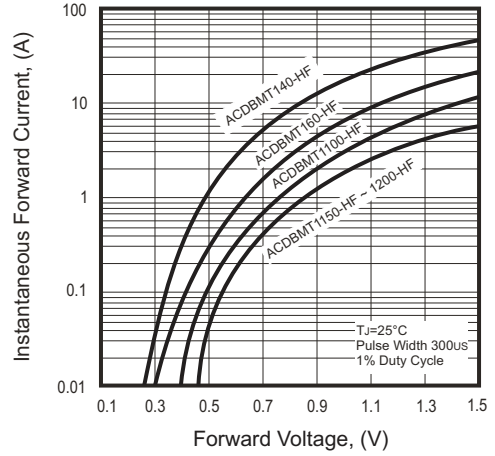


Fig.3 - Maximum Non-repetitive Forward Surge Current

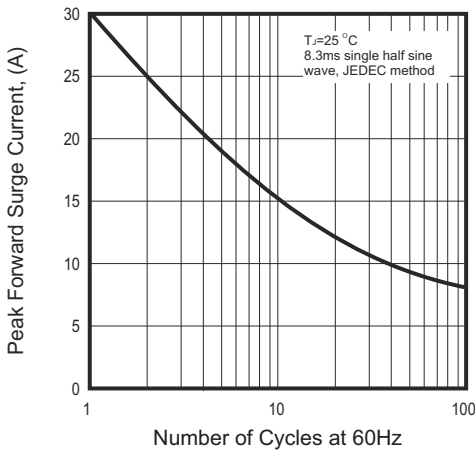


Fig.4 - Typical Junction Capacitance

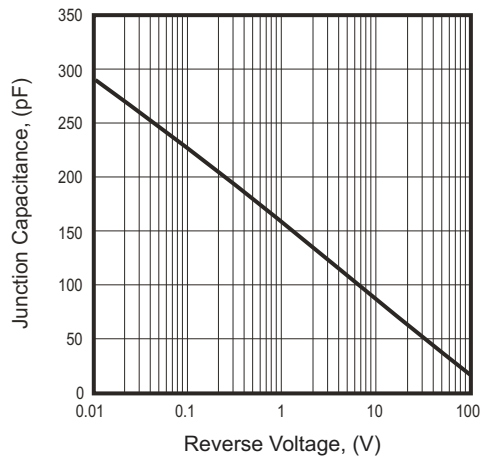
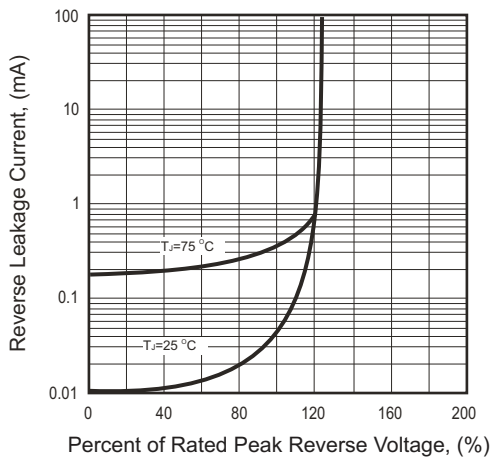
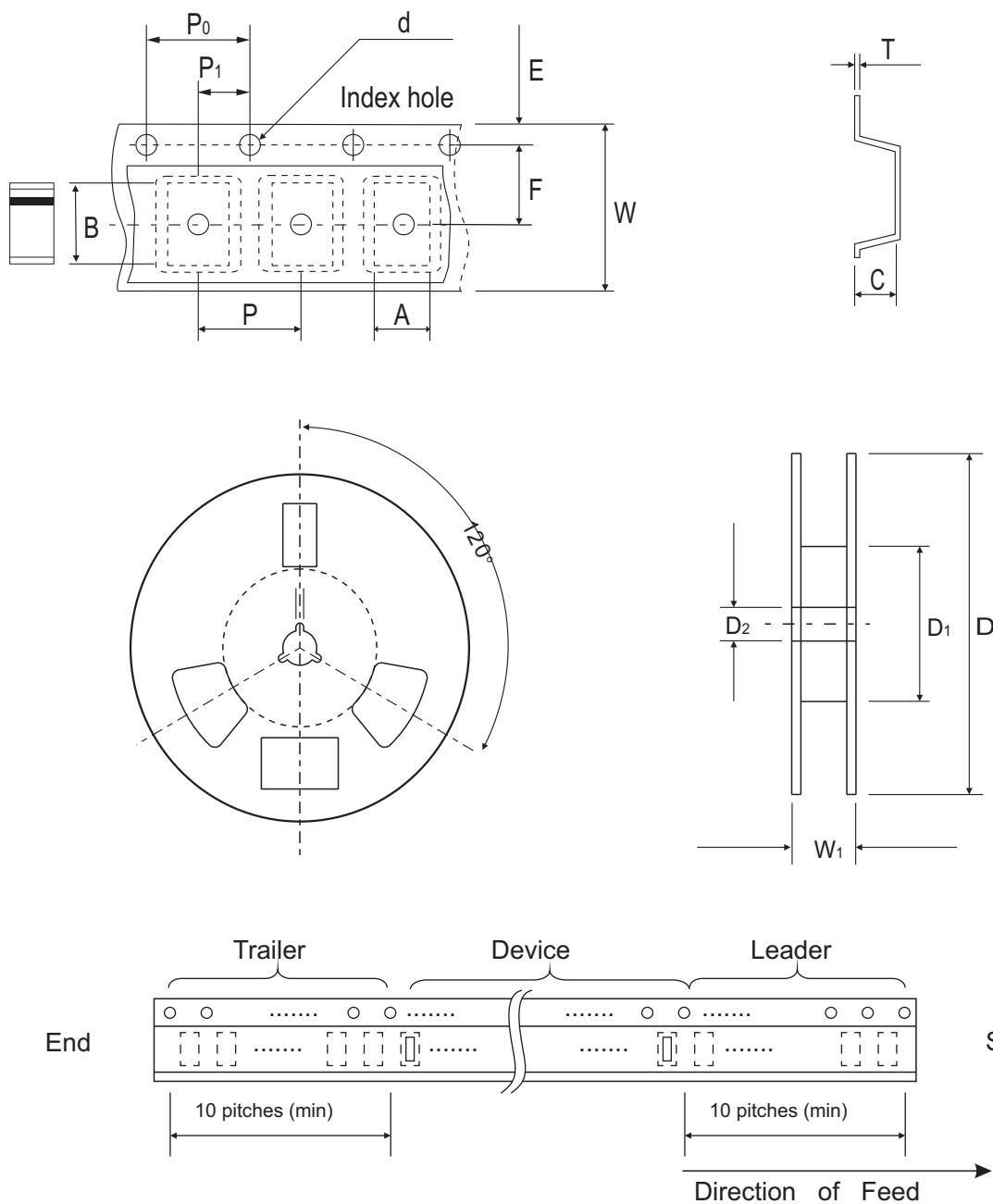


Fig.5 - Typical Reverse Characteristics



## Reel Taping Specification



SOD-123H	SYMBOL	A	B	C	d	D	D1	D2
	(mm)	2.00 ± 0.10	3.85 ± 0.10	1.10 ± 0.10	1.50 ± 0.10	178.00 ± 2.00	62.00 (min)	13.00 ± 0.50
	(inch)	0.079 ± 0.004	0.152 ± 0.004	0.043 ± 0.004	0.059 ± 0.004	7.007 ± 0.079	2.441 (min)	0.512 ± 0.020

SOD-123H	SYMBOL	E	F	P	P0	P1	T	W	W1
	(mm)	1.75 ± 0.10	3.50 ± 0.10	4.00 ± 0.10	4.00 ± 0.10	2.00 ± 0.10	0.23 ± 0.10	8.00 ± 0.30	11.40 ± 1.00
	(inch)	0.069 ± 0.004	0.138 ± 0.004	0.157 ± 0.004	0.157 ± 0.004	0.079 ± 0.004	0.009 ± 0.04	0.315 ± 0.012	0.449 ± 0.039

## Pinning information

Pin	Simplified outline	Symbol
PIN 1 Cathode PIN 2 Anode		

## Marking Code

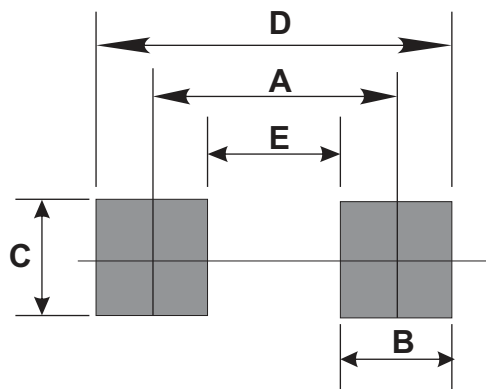
Part Number	Marking Code
ACDBMT140-HF	14
ACDBMT160-HF	16
ACDBMT1100-HF	10
ACDBMT1150-HF	115
ACDBMT1200-HF	120



xx / xxx = Product type marking code

## Suggested PAD Layout

SIZE	SOD-123H	
	(mm)	(inch)
A	3.00	0.118
B	1.30	0.051
C	1.80	0.071
D	4.30	0.169
E	1.70	0.067



## Standard Packaging

Case Type	REEL PACK	
	REEL ( pcs )	Reel Size (inch)
SOD-123H	3,000	7