

Materials and Finish

Insulator: High Temp.
 UL94V-0 rated
 Color- Black
 Contact Material:
 Copper Alloy
 Contact plating:
 Standard: Gold Flash on Contact Area, Tin Plated on Solder Tails, All over Nickel Underplate
 30 Option: 30u" Gold Plated on Contact Area, Tin Plated on Solder Tails, All over Nickel Underplate
 Shield: Stainless Steel, Nickel plated

Electrical Characteristics

Rated Current: 5A for Collectively Power supply Pins (A1, A4, A9, A12, B1, B4, B9, B12), 1.25A For Vconn Pin, 0.25A For Other Signal Pins.
 Insulation Resistance:
 100 Megohms Min.
 Contact Resistance:
 40 milliohms Max. Initial,
 50 milliohms Max. After Life Test
 Dielectric Withstanding Voltage:
 100V AC (RMS) For 1 Minute

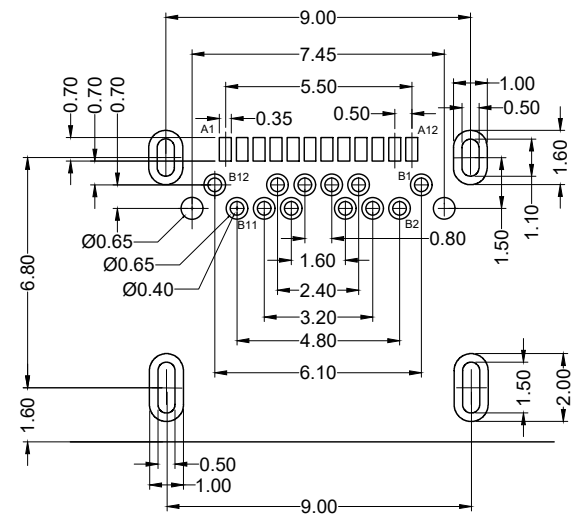
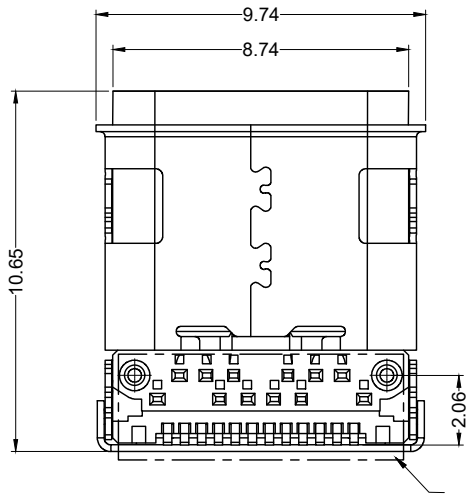
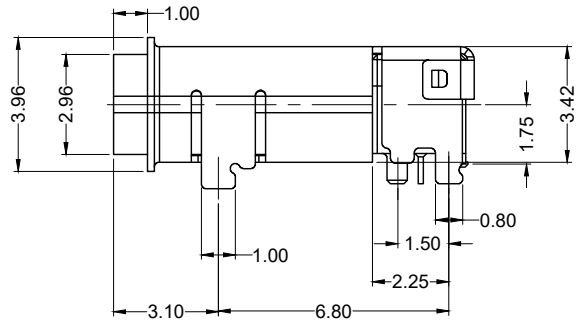
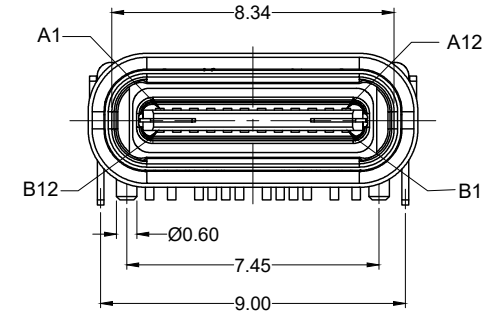
Mechanical Characteristics

Durability: 10,000 Mating Cycles
 Insertion Force: 5N~20N
 Extraction Force :
 6N~20N After Life Test
 Operating Temperature:
 -40°C to +85°C

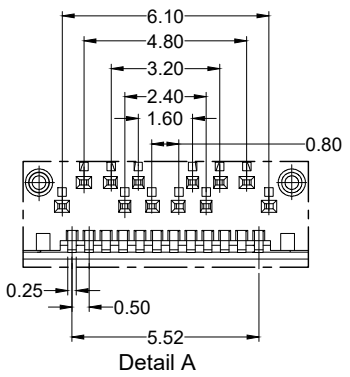
Part Number	Contact Area Plating Finish	Packaging
KUSB67X-SMTTH-CS4-BTR	Gold Flash (standard)	Tape & Reel
KUSB67X-SMTTH-CS4-B30TR	30u" Gold (30 option)	Tape & Reel

Tolerances
X.X ± 0.35
X.XX ± 0.25
Unless Stated Otherwise

PRELIMINARY
 PART IN DESIGN
 SPECIFICATION SUBJECT TO CHANGE



RECOMMEND P.C.B LAYOUT(COMPONENT SIDE)



Pin	Signal Name	Mating Sequence	Pin	Signal Name	Mating Sequence
A1	GND	First	B12	GND	First
A2	SSTXp1	Second	B11	SSRXp1	Second
A3	SSTXn1	Second	B10	SSRXn1	Second
A4	VBUS	First	B9	VBUS	First
A5	CC1	Second	B8	SBU2	Second
A6	Dp1	Second	B7	Dn2	Second
A7	Dn1	Second	B6	Dp2	Second
A8	SBU1	Second	B5	CC2	Second
A9	VBUS	First	B4	VBUS	First
A10	SSRXn2	Second	B3	SSTXn2	Second
A11	SSRXp2	Second	B2	SSTXp2	Second
A12	GND	First	B1	GND	First
SHELL	GND		SHELL	GND	

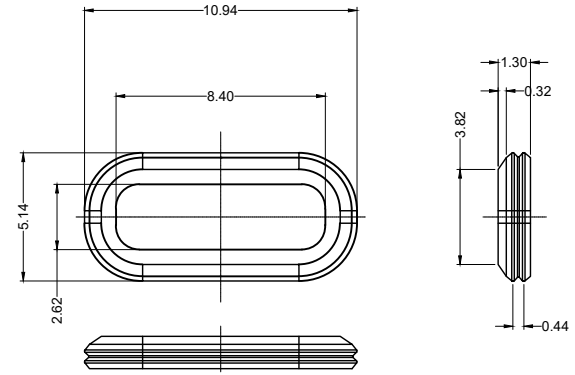
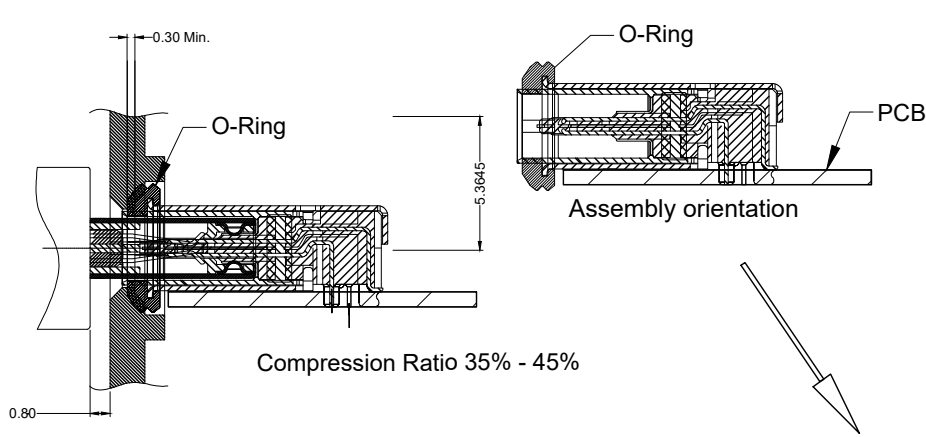
REV.	DATE	DESCRIPTION	REV. BY	CHK. BY	DRAWN BY	DATE
A0.1	05/29/19	New Drawing	H. MA	D. Shehan	H. MA	05/29/19
A0.2	06/25/19	Added O-Ring info	D. Shehan	G. Serrato		

KUSB67X-SMTTH-CS4-BTR

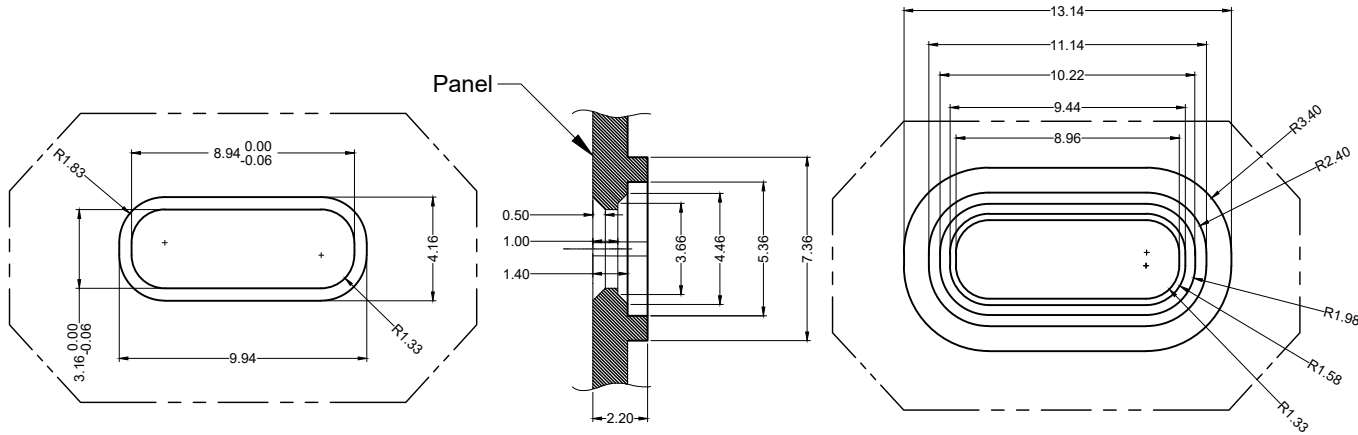
UNITS
mm

USB 3.1, SMT & T/H LEADS
 WATERPROOF, CL1.75. RoHS COMPLIANT

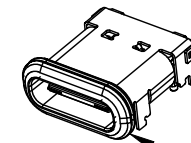




Materials
O-Ring: Silicone, Black



Recommended Panel Opening Dimensions
Tolerance $\pm 0.03\text{mm}$
Mating Area with Sealing Ring



O-Ring
Material: Silicone, Black

PRELIMINARY
PART IN DESIGN
SPECIFICATION SUBJECT TO CHANGE

RoHS COMPLIANT

Tolerances
X.X ± 0.35
X.XX ± 0.25
Unless Stated Otherwise

REV.	DATE	DESCRIPTION	REV. BY	CHK. BY	DRAWN BY	DATE
A0.1	05/29/19	New Drawing	H. MA	D. Shehan	H. MA	05/29/19
A0.2	06/25/19	Added O-Ring Info	D. Shehan	G. Serrato		

KUSB67X-SMTTH-CS4-BTR

USB 3.1, SMT & T/H LEADS

WATERPROOF, CL1.75. RoHS COMPLIANT

