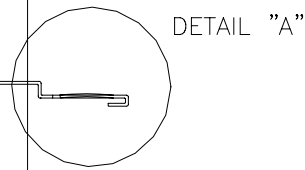
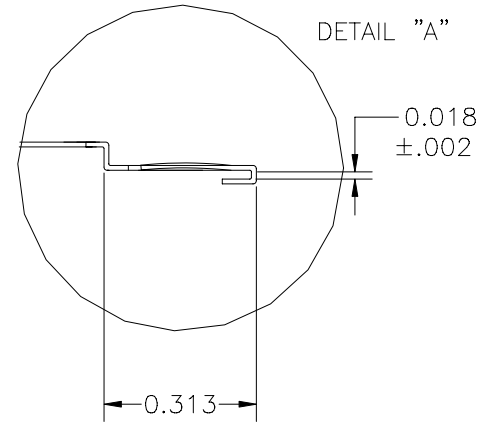
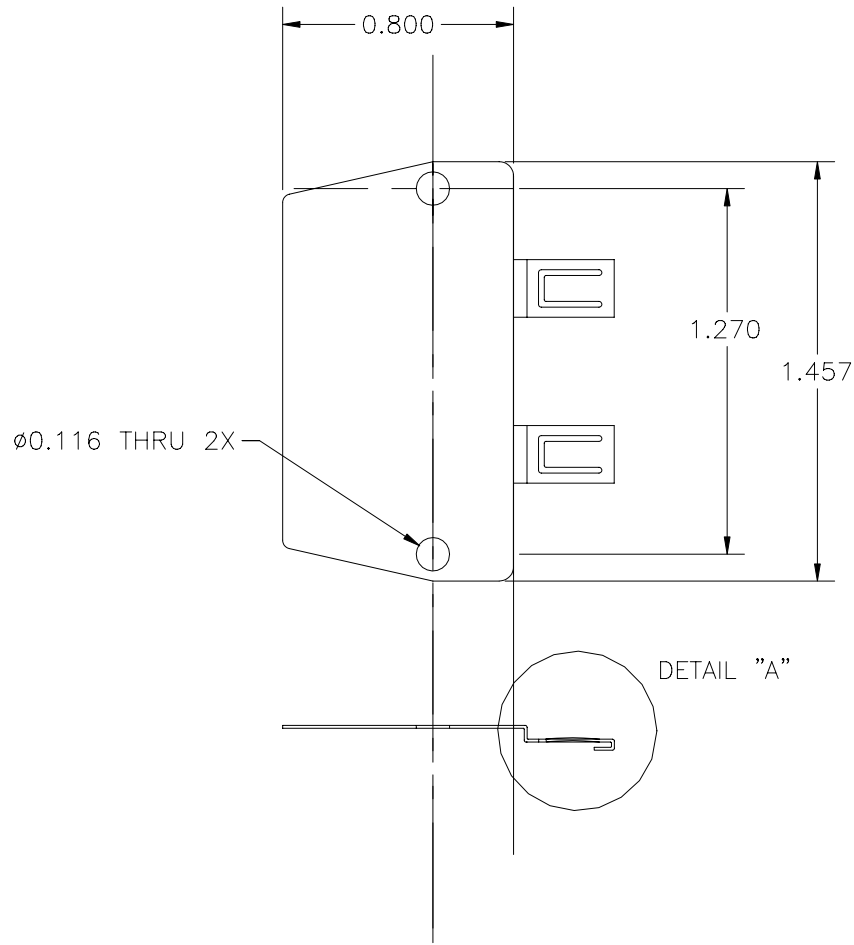


REVISIONS			
LTR	DESCRIPTION	DATE	APPROVED
N/C	RELEASED PER ECN T-20872		



© Raychem Corporation 1988

## SPECIFICATION CONTROL DRAWING

1. NICKEL PLATE PER MIL-C-26074, CLASS 2, .000150/.000250 THICKNESS.

NOTES:

UNLESS OTHERWISE SPECIFIED DIMENSIONS ARE IN INCHES. METRIC DIMENSIONS ARE IN BRACKETS.  DECIMALS .XXX ± .005 [ mm ] .XX ± .01 [ mm ] ANGLES .X ± 1° MATERIAL Be Cu 172A 0.010 THICKNESS	DRAWN	TIMM	04/16/96	<b>Raychem</b> <small>RAYCHEM CORPORATION          300 CONSTITUTION DRIVE          MENLO PARK, CALIFORNIA 94025</small>	
	CHECKED				TITLE
	APPROVED				BUSBAR, 1" FOR PLUG SHELL GROUNDING BLOCK
	PCN:	362973-000			SIZE
	CAD NAME	\010059.DWG		CODE IDENT. NO.	
	THIRD ANGLE PROJECTION			DWG. NO.	
				CHA-0291	
				REV	
				N/C	
				DO NOT SCALE THIS DRAWING	
				SHEET 1 OF 1	

SHEET 1  
CHA-0291  
DWG NO.