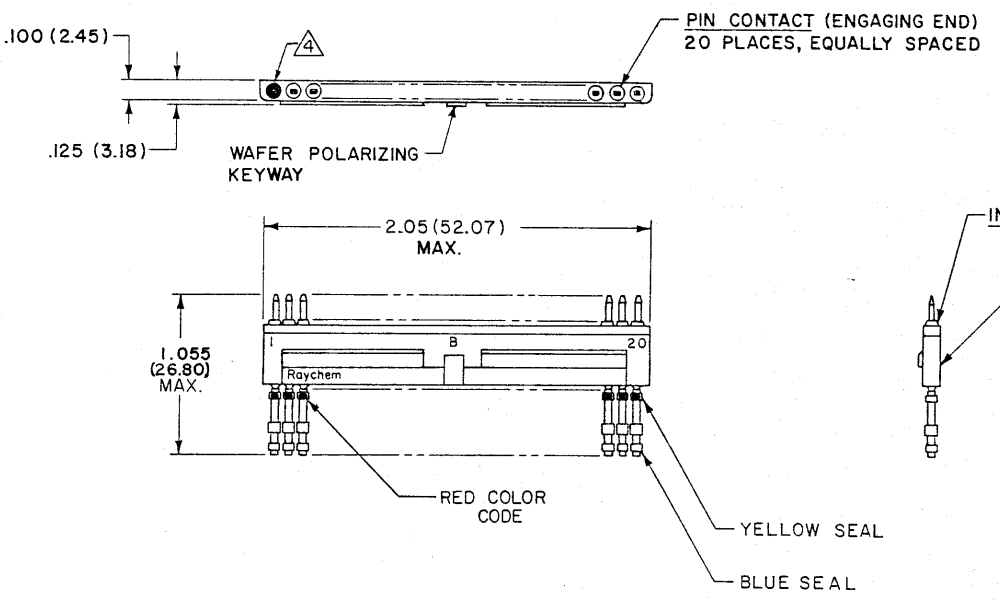


4

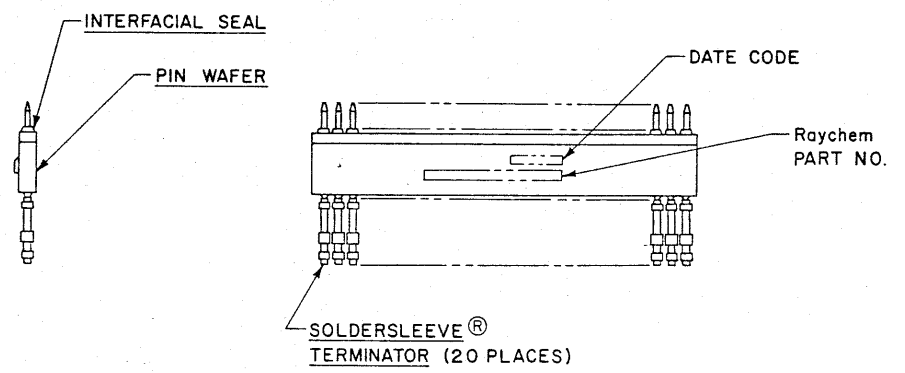
3

2

1



REVISIONS			
LTR	DESCRIPTION	DATE	APPROVED
B	REVISED PER ECN # T - 17745	92SEP14	JB



5 WEIGHT (MAX.): 

LBS.	GRAMS
.0092	4.173

4 PIN NUMBER ONE IS MARKED IN CONTRASTING COLOR ON INTERFACIAL SEAL.

3. FINISH :
- 3-A PIN WAFER; FINISH TO BE AS MOLDED.
  - 3-B PIN CONTACT; GOLD PLATE PER MIL-G-45204, CLASS I.
  - 3-C CONTACT TAIL; COATED WITH Sn63 SOLDER PER QQ-S-571
2. MATERIAL :
- 2-A PIN WAFER; HIGH GRADE POLYARYLENE THERMOPLASTIC.
  - 2-B PIN CONTACT; COPPER ALLOY PER QQ-B-613 OR QQ-C-502.
  - 2-C INTERFACIAL SEAL; SILICONE ELASTOMER PER MIL-R-25988.
  - 2-D SOLDERSLEEVE® TERMINATOR; REFER TO RAYCHEM DWG. CTA-0068 FOR DATA.

1. THIS WAFER ASSEMBLY USED IN MTC100 CONNECTORS.

NOTES:

If this document is printed it becomes uncontrolled.  
Check with the web for latest revision.

**SPECIFICATION CONTROL DRAWING** © Raychem Corporation 1983

DRAWN	HAWKINGS	11-16-83	<b>Raychem</b>	RAYCHEM CORPORATION 300 CONSTITUTION DRIVE MENLO PARK, CALIFORNIA 94025	
CHECKED	JB				
APPROVED	<i>JB</i>	11-21-83	WAFER ASSEMBLY, PIN, "B" STYLE, 2", 20 CONTACTS; WITH OVAL ENTRY FOR 20-26 AWG. TEMP. RATING MTC100 SERIES		
APPROVED	<i>Simon</i>	12-2-83			
UNLESS OTHERWISE SPECIFIED DIMENSIONS ARE IN INCHES. ±.005 METRIC DIMENSIONS ARE IN PARENTHESIS (M.M.)			SIZE	CODE IDENT NO.	DWG NO.
DO NOT SCALE THIS DRAWING			C	06090	MTC100-JB2-PI4
			WEIGHT	SHEET 1 OF 1	

ORIGINAL DOCUMENT