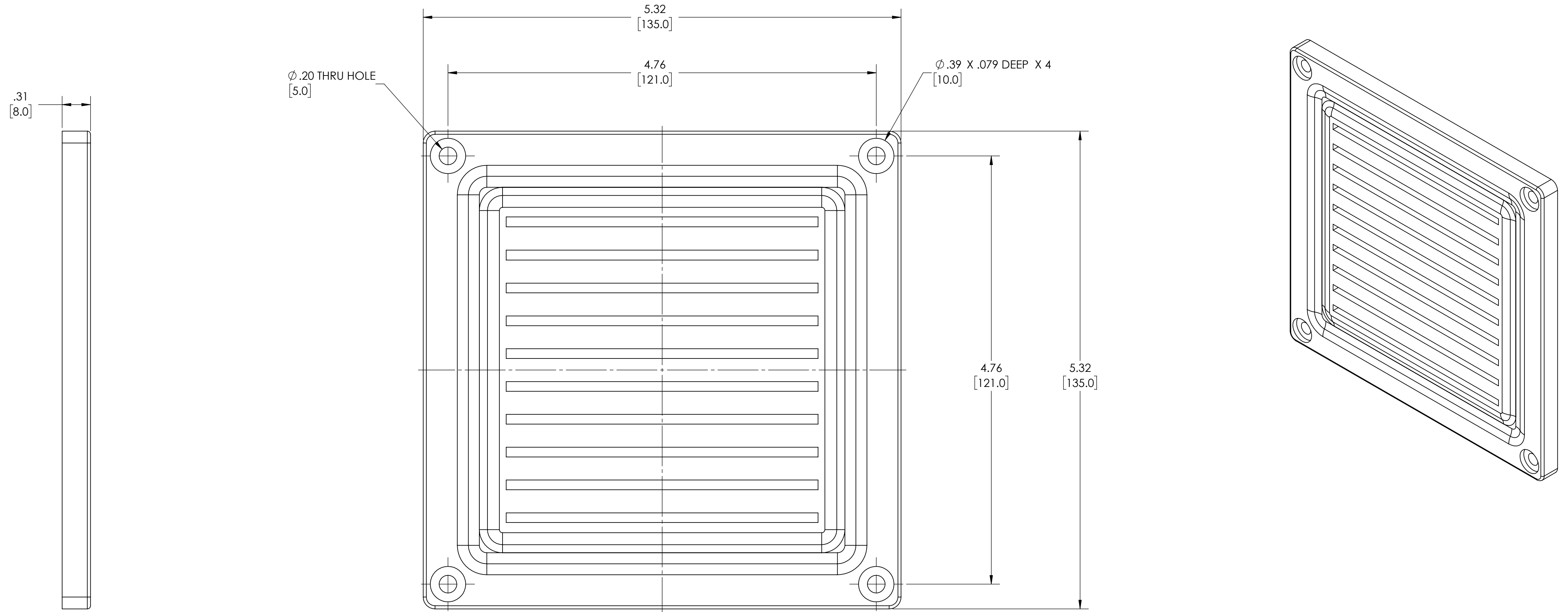


NOTES:

1. MATERIAL: PLASTIC, E-PTFE,SILICON
COLOR: -B(BLACK) -W(WHITE)
2. ALL DIMENSIONS HAVE ±.03[.76] TOLERANCE UNLESS OTHERWISE SPECIFIED
3. DIMENSIONS ARE INCH [MM]

4. TECHNICAL DATA:

ART NO.: CF100(1 packing unit = 1 pieces,with 4 tapping screw)
 MOUNTING: SCREW MOUNTING
 MAXIMUM SIZE AND AREA: RECTANGULAR,100mm²
 DIMENSIONS: 135×135×8mm
 WEIGHT: APPROXIMATELY 98g
 FITTING POSITION: VARIABLE
 OPERATING TEMPERATURE: -40 to +100α
 IP RATING: IP 65
 AIR PERM: 3m³/m².min
 COLLECTION EFFICIENCY: 95%-99.9995%
 INITIAL RESISTANCE: <86Pa



DRAWING FOR REFERENCE
 WE RESERVE THE RIGHT TO MAKE CHANGES TO OUR
 STANDARD PRODUCTS. PLEASE CONSULT WITH BUD INDUSTRIES
 PRIOR TO USING THIS DRAWING FOR DESIGN PURPOSE.