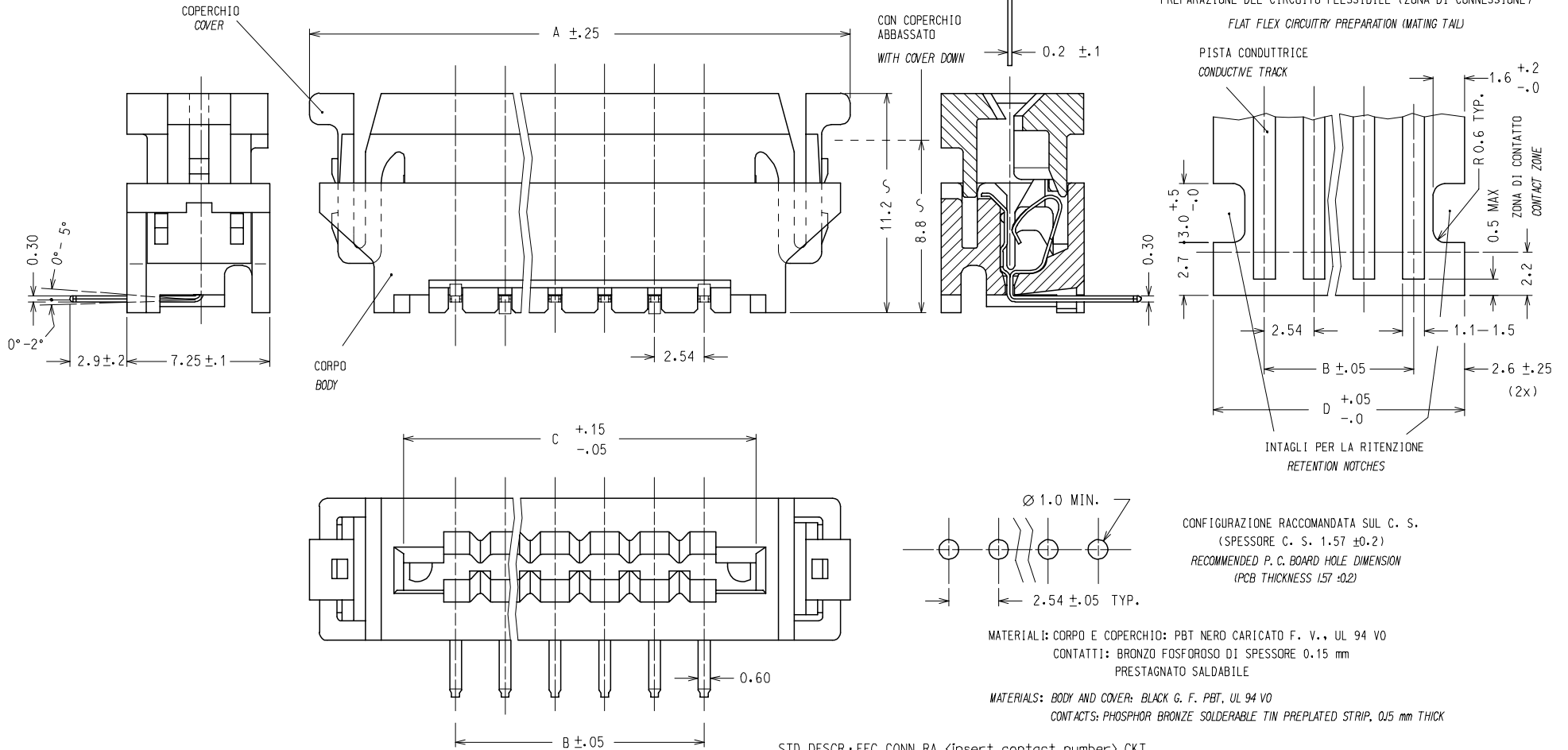


10 9 8 7 6 5 4 3 2 1

COPERCHIO ALZATO: I CONTATTI SONO APERTI PER UN AGEVOLE INSERIMENTO DEL CIRCUITO FLESSIBILE  
 COVER UP: CONTACTS ARE OPEN FOR AN EASY INSERTION OF THE FLEX CIRCUITRY  
 COPERCHIO ABBASSATO: I CONTATTI SONO PREMUTI CONTRO LE PISTE  
 COVER DOWN: CONTACTS ARE CLOSED ON THE TRACKS

CIRCUITO FLESSIBILE (SPESSORE TIPICO)  
 FLEX CIRCUITRY (TYPICAL THICKNESS)

PREPARAZIONE DEL CIRCUITO FLESSIBILE (ZONA DI CONNESSIONE)  
 FLAT FLEX CIRCUITRY PREPARATION (MATING TAIL)



CONFIGURAZIONE RACCOMANDATA SUL C. S.  
 (SPESSORE C. S. 1.57 ±0.2)  
 RECOMMENDED P. C. BOARD HOLE DIMENSION  
 (PCB THICKNESS 157 ±0.2)

MATERIALI: CORPO E COPERCHIO: PBT NERO CARICATO F. V., UL 94 VO  
 CONTATTI: BRONZO FOSFOROSO DI SPESSORE 0.15 mm  
 PRESTAGNATO SALDABILE

MATERIALS: BODY AND COVER: BLACK G. F. PBT, UL 94 VO  
 CONTACTS: PHOSPHOR BRONZE SOLDERABLE TIN PREPLATED STRIP, 0.15 mm THICK

STD. DESCR.: FFC CONN RA <insert contact number> CKT

NOTE: 1) IL PRODOTTO VIENE FORNITO IN TUBI (VEDI FOGLIO 2/2)  
 2) CARATTERISTICHE TECNICHE E FUNZIONALI COME DA PS 90500.  
 3) LUNGHEZZA MINIMA DI ESPOSIZIONE DELLE PISTE

NOTE: 1) PRODUCT WILL BE SUPPLIED PACKAGED IN A TUBE (SEE SHEET 2/2)  
 2) TECHNICAL CHARACTERISTICS AS INDICATED IN PS90500.  
 3) MINIMUM EXPOSED LENGTH OF TRACKS

|                   |             |                 |
|-------------------|-------------|-----------------|
| EC NO: Z2005-0177 | 2005/05/19  | QUALITY SYMBOLS |
| DRWNS:SBARBIER    | 2005/05/20  | ▽=0             |
| CHKD:RSANDANO     | 2005/05/20  | ▽=0             |
| APPR:FBI SELLO    | 2005/05/20  |                 |
| REV               | DESCRIPTION |                 |
| C1                |             |                 |

| GENERAL TOLERANCES (UNLESS SPECIFIED)                      |        | DIMENSION STYLE<br>MM ONLY |            |
|--|--------|----------------------------|------------|
|  |        | DRAWN BY                   | DATE       |
| 4 PLACES   | ± ---  | SBARBIERI                  | 1993/09/09 |
| 3 PLACES   | ± ---  | CHECKED BY                 | DATE       |
| 2 PLACES   | ± 0.05 | APPROVED BY                | DATE       |
| 1 PLACE  | ± 0.10 | MPREVIATO                  | 1993/09/09 |
| ANGULAR ± 2 °  |        | MATERIAL NO.               |            |
| DRAFT WHERE APPLICABLE<br>MUST REMAIN<br>WITHIN DIMENSIONS |        | SIZE                       | SEE SHT 2  |
|  |        | SIZE                       | A3         |

|   |              |                        |           |
|---|--------------|------------------------|-----------|
| SCALE   | DESIGN UNITS | FIRST ANGLE PROJECTION |           |
| 5:1   | METRIC       |                        |           |
| TITLE   |              |                        |           |
| FFC CONNECTOR RIGHT ANGLE VERSION   |              |                        |           |
| MOLEX MOLEX INCORPORATED  |              |                        |           |
| DOCUMENT NO.  |              |                        | SHEET NO. |
| SD-90500-006  |              |                        | 1 OF 2    |
| THIS DRAWING CONTAINS INFORMATION THAT IS PROPRIETARY TO MOLEX INCORPORATED AND SHOULD NOT BE USED WITHOUT WRITTEN PERMISSION |              |                        |           |

9 8 7 6 5 4 3 2 1

10 9 8 7 6 5 4 3 2 1

| N° . DI CODICE<br>PART. NO. | ATTREZZAGGIO<br>TOOLING      | N° . VIE<br>CCT NO. | DIM "A" | DIM "B" | DIM "C" | DIM "D" | N° . CONN./TUBO<br>CONN. NO./TUBE | N° . CONN./SCATOLA<br>CONN. NO./BOX (SPQ) |
|-----------------------------|------------------------------|---------------------|---------|---------|---------|---------|-----------------------------------|---|
| 90500-4002                  | NON ATTREZZATO<br>NOT TOOLED | 2                   |         |         |         |         |                                   |   |
| 90500-4003                  | "                            | 3                   |         |         |         |         |                                   |   |
| 90500-4004                  | ATTREZZATO<br>TOOLED         | 4                   | 22.52   | 7.62    | 12.92   | 12.82   | 24                                | 3456                                      |
| 90500-4005                  | "                            | 5                   | 25.06   | 10.16   | 15.46   | 15.36   | 21                                | 3024                                      |
| 90500-4006                  | "                            | 6                   | 27.60   | 12.70   | 18.00   | 17.90   | 19                                | 2736                                      |
| 90500-4007                  | "                            | 7                   | 30.14   | 15.24   | 20.54   | 20.44   | 17                                | 2448                                      |
| 90500-4008                  | "                            | 8                   | 32.68   | 17.78   | 23.08   | 22.98   | 16                                | 2304                                      |
| 90500-4009                  | "                            | 9                   | 35.22   | 20.32   | 25.62   | 25.52   | 15                                | 2160                                      |
| 90500-4010                  | "                            | 10                  | 37.76   | 22.86   | 28.16   | 28.06   | 14                                | 2016                                      |
| 90500-4011                  | "                            | 11                  | 40.30   | 25.40   | 30.70   | 30.60   | 13                                | 1872                                      |
| 90500-4012                  | "                            | 12                  | 42.84   | 27.94   | 33.24   | 33.14   | 12                                | 1728                                      |
| 90500-4013                  | "                            | 13                  | 45.38   | 30.48   | 35.78   | 35.68   | 11                                | 1584                                      |
| 90500-4014                  | "                            | 14                  | 47.92   | 33.02   | 38.32   | 38.22   | 11                                | 1584                                      |
| 90500-4015                  | "                            | 15                  | 50.46   | 35.56   | 40.86   | 40.76   | 10                                | 1440                                      |
| 90500-4016                  | "                            | 16                  | 53.00   | 38.10   | 43.40   | 43.30   | 10                                | 1440                                      |
| 90500-4017                  | "                            | 17                  | 55.54   | 40.64   | 45.94   | 45.84   | 9                                 | 1296                                      |
| 90500-4018                  | "                            | 18                  | 58.08   | 43.18   | 48.48   | 48.38   | 9                                 | 1296                                      |
| 90500-4019                  | "                            | 19                  | 60.62   | 45.72   | 51.02   | 50.92   | 8                                 | 1152                                      |
| 90500-4020                  | "                            | 20                  | 63.16   | 48.26   | 53.56   | 53.46   | 8                                 | 1152                                      |

| EC NO: Z2005-0177<br>DRWN:SBARBERI 2005/05/19<br>CHKD:RSANDANO 2005/05/20<br>APPR:FBISELLO 2005/05/20<br>REV DESCRIPTION | QUALITY SYMBOLS  | GENERAL TOLERANCES (UNLESS SPECIFIED)   | DIMENSION STYLE<br>MM ONLY   | SCALE<br>5:1        | DESIGN UNITS<br>METRIC | FIRST ANGLE PROJECTION |       |       |          |       |       |          |        |       |         |        |       |   |          |      |          |            |            |      |  |  |             |      |           |            |              |  |  |  |  |
|--|--|---|------------------------------|---------------------|------------------------|------------------------|-------|-------|----------|-------|-------|----------|--------|-------|---------|--------|-------|---|----------|------|----------|------------|------------|------|--|--|-------------|------|-----------|------------|--------------|--|--|--|--|
|  | $\nabla=0$<br>$\sphericalangle=0$  | <table border="1"> <tr><th></th><th>mm</th><th>INCH</th></tr> <tr><td>4 PLACES</td><td>± ---</td><td>± ---</td></tr> <tr><td>3 PLACES</td><td>± ---</td><td>± ---</td></tr> <tr><td>2 PLACES</td><td>± 0.05</td><td>± ---</td></tr> <tr><td>1 PLACE</td><td>± 0.10</td><td>± ---</td></tr> </table> ANGULAR ± 2 ° |                              | mm                  | INCH                   | 4 PLACES               | ± --- | ± --- | 3 PLACES | ± --- | ± --- | 2 PLACES | ± 0.05 | ± --- | 1 PLACE | ± 0.10 | ± --- | <table border="1"> <tr><th>DRAWN BY</th><th>DATE</th></tr> <tr><td>SBARBERI</td><td>1993/09/09</td></tr> <tr><th>CHECKED BY</th><th>DATE</th></tr> <tr><td></td><td></td></tr> <tr><th>APPROVED BY</th><th>DATE</th></tr> <tr><td>MPREVIATO</td><td>1993/09/09</td></tr> <tr><th>MATERIAL NO.</th><td></td></tr> </table> | DRAWN BY | DATE | SBARBERI | 1993/09/09 | CHECKED BY | DATE |  |  | APPROVED BY | DATE | MPREVIATO | 1993/09/09 | MATERIAL NO. |  | TITLE<br>FFC CONNECTOR RIGHT ANGLE VERSION |  |  |
|  |  | mm  | INCH                         |                     |                        |                        |       |       |          |       |       |          |        |       |         |        |       |   |          |      |          |            |            |      |  |  |             |      |           |            |              |  |  |  |  |
|  | 4 PLACES   | ± ---   | ± ---                        |                     |                        |                        |       |       |          |       |       |          |        |       |         |        |       |   |          |      |          |            |            |      |  |  |             |      |           |            |              |  |  |  |  |
| 3 PLACES   | ± ---  | ± ---   |                              |                     |                        |                        |       |       |          |       |       |          |        |       |         |        |       |   |          |      |          |            |            |      |  |  |             |      |           |            |              |  |  |  |  |
| 2 PLACES   | ± 0.05   | ± ---   |                              |                     |                        |                        |       |       |          |       |       |          |        |       |         |        |       |   |          |      |          |            |            |      |  |  |             |      |           |            |              |  |  |  |  |
| 1 PLACE  | ± 0.10   | ± ---   |                              |                     |                        |                        |       |       |          |       |       |          |        |       |         |        |       |   |          |      |          |            |            |      |  |  |             |      |           |            |              |  |  |  |  |
| DRAWN BY   | DATE   |   |                              |                     |                        |                        |       |       |          |       |       |          |        |       |         |        |       |   |          |      |          |            |            |      |  |  |             |      |           |            |              |  |  |  |  |
| SBARBERI   | 1993/09/09   |   |                              |                     |                        |                        |       |       |          |       |       |          |        |       |         |        |       |   |          |      |          |            |            |      |  |  |             |      |           |            |              |  |  |  |  |
| CHECKED BY   | DATE   |   |                              |                     |                        |                        |       |       |          |       |       |          |        |       |         |        |       |   |          |      |          |            |            |      |  |  |             |      |           |            |              |  |  |  |  |
|  |  |   |                              |                     |                        |                        |       |       |          |       |       |          |        |       |         |        |       |   |          |      |          |            |            |      |  |  |             |      |           |            |              |  |  |  |  |
| APPROVED BY  | DATE   |   |                              |                     |                        |                        |       |       |          |       |       |          |        |       |         |        |       |   |          |      |          |            |            |      |  |  |             |      |           |            |              |  |  |  |  |
| MPREVIATO  | 1993/09/09   |   |                              |                     |                        |                        |       |       |          |       |       |          |        |       |         |        |       |   |          |      |          |            |            |      |  |  |             |      |           |            |              |  |  |  |  |
| MATERIAL NO.   |  |   |                              |                     |                        |                        |       |       |          |       |       |          |        |       |         |        |       |   |          |      |          |            |            |      |  |  |             |      |           |            |              |  |  |  |  |
| DRAFT WHERE APPLICABLE<br>MUST REMAIN<br>WITHIN DIMENSIONS   | SEE TABLE  | MOLEX INCORPORATED  | DOCUMENT NO.<br>SD-90500-006 | SHEET NO.<br>2 OF 2 |                        |                        |       |       |          |       |       |          |        |       |         |        |       |   |          |      |          |            |            |      |  |  |             |      |           |            |              |  |  |  |  |
| C1   | THIS DRAWING CONTAINS INFORMATION THAT IS PROPRIETARY TO MOLEX<br>INCORPORATED AND SHOULD NOT BE USED WITHOUT WRITTEN PERMISSION |   |                              |                     |                        |                        |       |       |          |       |       |          |        |       |         |        |       |   |          |      |          |            |            |      |  |  |             |      |           |            |              |  |  |  |  |

9 8 7 6 5 4 3 2 1