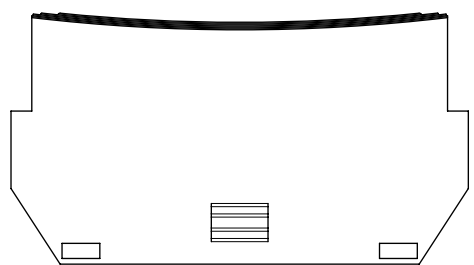
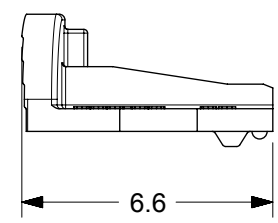
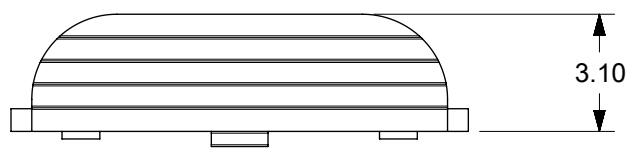
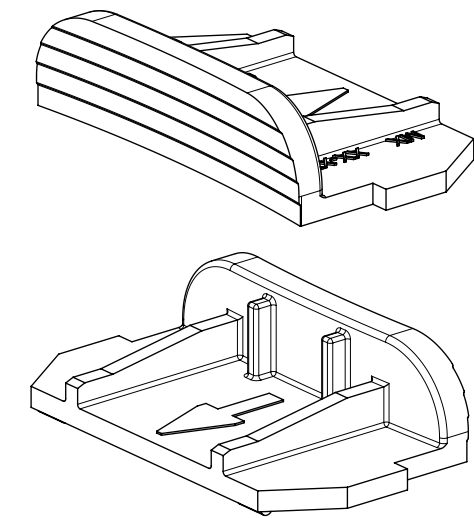
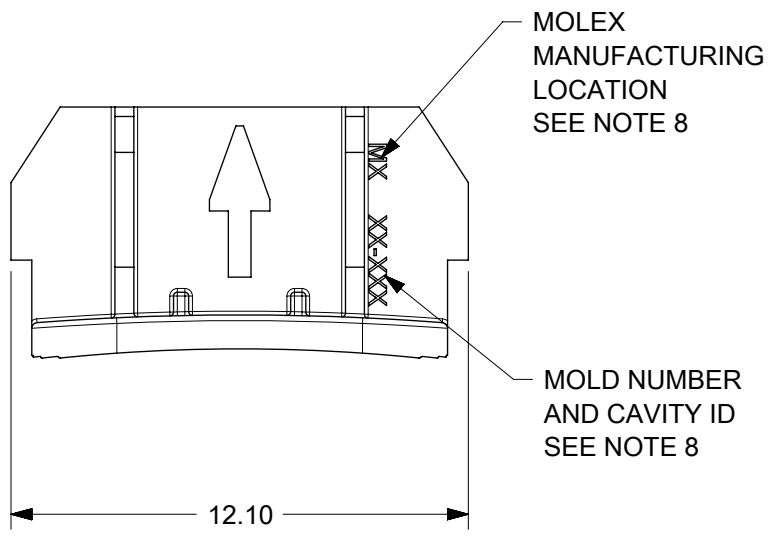


2	1
PART NUMBER	DESCRIPTION
2036030003	MINI-FIT CPA



- NOTES:
- 1) MATERIAL:
NYLON V-0, LOW HALOGEN
COLOR: RED
 - 2) FINISH: NOT APPLICABLE;
 - 3) PRODUCT SPECIFICATION: PS-172718-0000
 - 4) PACKAGING: 2036030000-PK
 - 5) PART TO BE USED WITH MOLEX TPA SERIES 172709
 - 6) PART SURFACE AND GEOMETRY TO CONFORM TO CLASS "B" REQUIREMENTS OF COSMETIC SPECIFICATION PS-45499-002.
 - 7) PART COLOR TO CONFORM TO CLASS "C" REQUIREMENTS OF COSMETIC SPECIFICATION PS-45499-002.
 - 8) ENGRAVING LOCATION MAY VARY ON ACTUAL PARTS

QUALITY SYMBOLS	THIS DRAWING CONTAINS INFORMATION THAT IS PROPRIETARY TO MOLEX ELECTRONIC TECHNOLOGIES, LLC AND SHOULD NOT BE USED WITHOUT WRITTEN PERMISSION									
	EC NO: 600007 DRWN: T GREGORI CHKD: RHODGE APPR: RHODGE	2017/12/20 2017/12/20 2017/12/20	GENERAL TOLERANCES (UNLESS SPECIFIED)		DIMENSION UNITS	SCALE	 MINI-FIT CPA			
ANGULAR TOL ± °			mm	10:1						
▽ = 0	B1	REV	4 PLACES ±	DRWN BY	DATE	PRODUCT CUSTOMER DRAWING				
▽ = 0			3 PLACES ±	PPEREZ03	2016/12/20					
▽ = 2			2 PLACES ± 0.13	CHK'D BY	DATE	SERIES MATERIAL NUMBER CUSTOMER 203603				
▼ = 0			1 PLACE ± 0.25	APPR BY	DATE					
▽ = 0			0 PLACES ±	RHODGE	2016/12/21	DOCUMENT NUMBER DOC TYPE DOC PART SHEET NUMBER 2036030000-SD PSD 000 1 OF 1				
⊠ = 0			DRAFT WHERE APPLICABLE MUST REMAIN WITHIN DIMENSIONS		DRAWING SIZE					THIRD ANGLE PROJECTION
■ = 0	B									
▽ = 0										