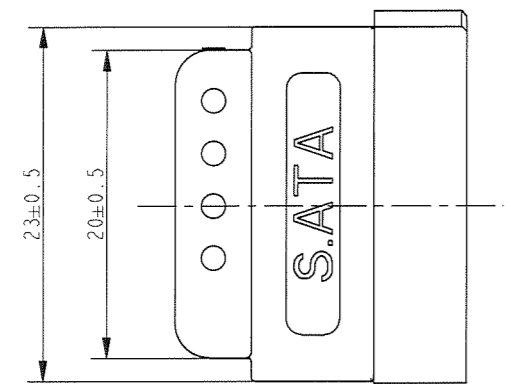
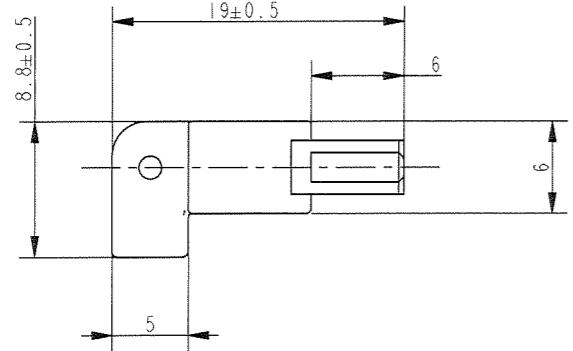
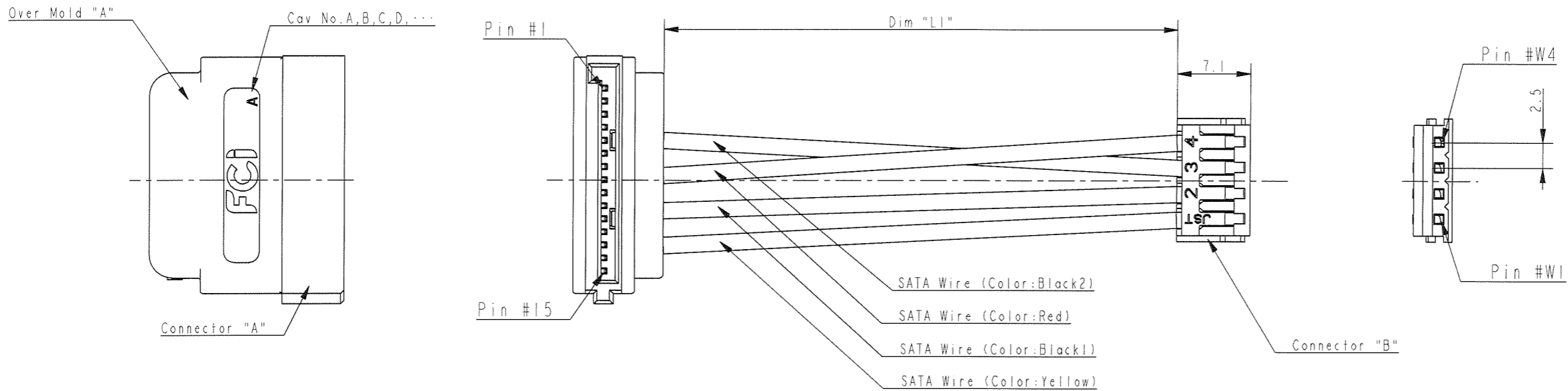


1	2	3	4	5	6	7	8
Product NO.	Dim "L1"	Connector "A"	Over Mold "A"	Connector "B"	SATA Cable Wire	Solder	
10095572-15R050HLF	50±8	SATA 15P Receptacle connector Straight type	Heat resistant resin, Halogen Free, UL94V-0, Color Black	EH 4P Connector (2.5mmP Wire/Board Connector)	Insulation Wire (UL3385 105°C 300V AWG22 VW-1 Halogen Free with F-mark) Color Black X2, Yellow, Red	Sn96.5-Ag3.0-Cu0.5 Lead Free	
10095572-15R060HLF	60±8	Housing, Back Cover: Heat resistant resin, Halogen Free, UL94V-0, Color Black Contact: Copper Alloy Contact Area: Gold plating over Ni plating		Maker: JST Part No.: Housing: EHR-4 Terminal: SEH-001 T-P0.6			
10095572-15R078HLF	78±8						
10095572-15R085HLF	85±8						
10095572-15R095HLF	95±8						
10095572-15R160HLF	160±8						



NOTE.)
 1) This product is based on Serial ATA Revision 2.6.
 2) This product is manufactured by soldering process.
 3) About the other Dim "L1" length, please inquire to sales person in our company.
 4) Product SPEC: GS-12-672
 5) Package SPEC: GS-14-1056
 6) P/N composition

10095572 - 15 R XXX H L F
 Lead Free
 Halogen Free
 Cable length: Dim "L1"
 SATA Side Type: (S: Straight, R: R/A)
 Power connector position

Wiring Table:
Pin Assigment

Connector "A"		Connector "B"	
Type	Pin #	Pin #	Type
V33	#1		
	#2		
	#3		
GND	#4	red	#W4
	#5		
V5	#6	black2	#W3
	#7		
	#8		
GND	#9	black1	#W2
	#10		
	#11		
	#12		
V12	#13	Yellow	#W1
	#14		
	#15		

www.fciconnect.com		surface ISO 1302	tolerance std ISO 406 ISO 1101	projection	MM
Dr. T. Ishishita 2010-10-14		TOLERANCES UNLESS OTHERWISE SPECIFIED		size A2	Scale N/A
Eng. T. Ishishita 2010-10-14		ANGULAR 0.X ±0.4	LINEAR 0.XX ±0.4	ECN J10-0210	
Chr. Y. Kanda 2010-10-14		0° ±4°	0.XXX ±0.4	Product family 233F	Spec ref
Appr. M. Nomura Oct 18 2010		Product family 233F		Title SATA 15P Power Cable Harness	
FCJ		Title SATA 15P Receptacle RightAngle		dwg no 10095572	
catalog no		CUSTOMER		Rev. A	

Copyright FCJ